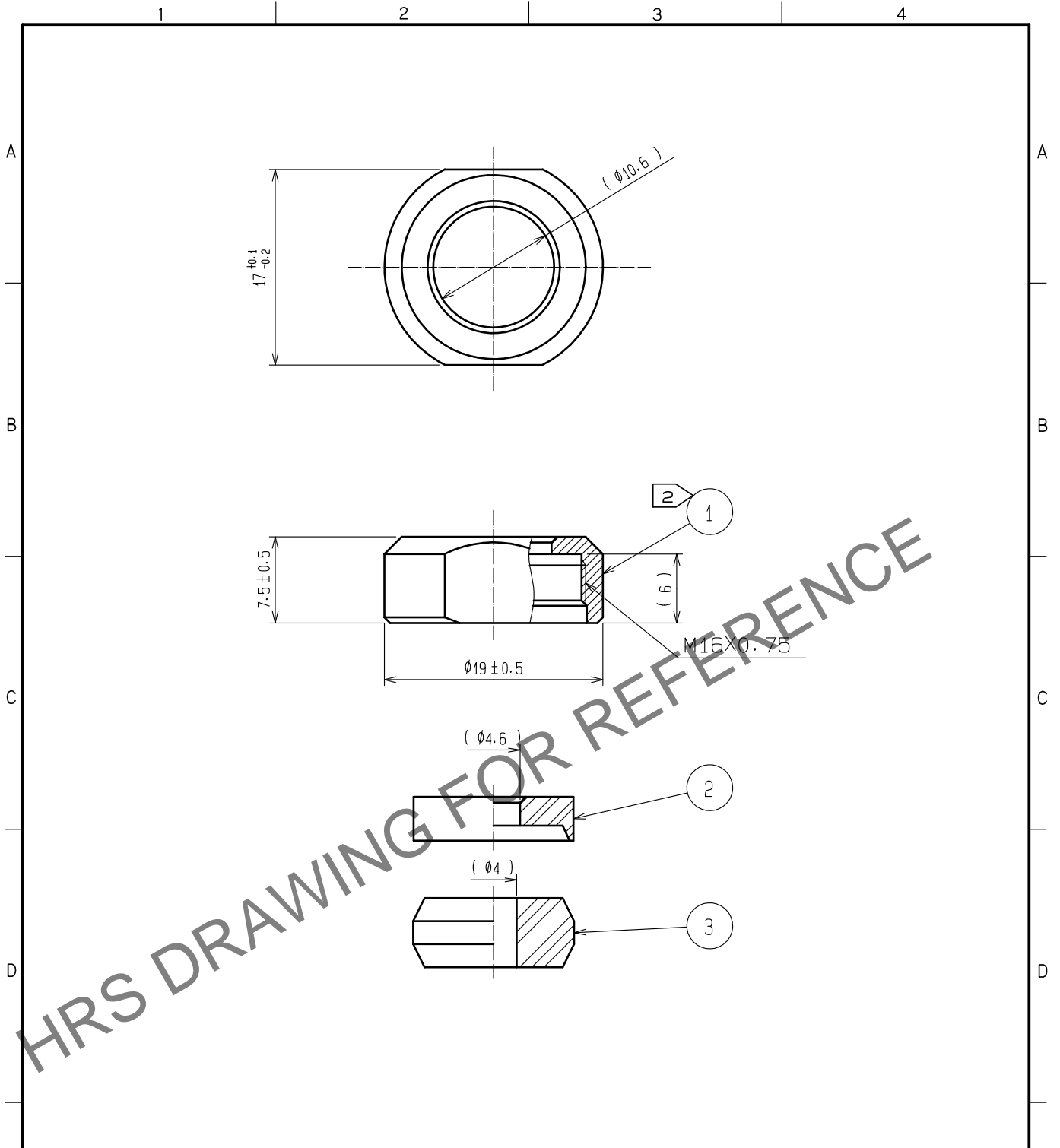


Apr.1.2024 Copyright 2024 HIROSE ELECTRIC CO., LTD. All Rights Reserved.
 In case of consideration for using Automotive equipment / device which demand high reliability, kindly contact our sales window correspondents.



NOTES 1 THIS PRODUCT IS DELIVERED DISASSEMBLED.

2 THE RECOMMENDED CLAMP TORQUE OF REF.NO. ① TO BE 2 TO 2.5N · m
 LOCTITE 263, HENKEL JAPAN OR EQUIVALENT IS RECOMMENDED TO PREVENT
 REF.NO. ① FROM LOOSENING.

2	POLYPHENYLENE SULFIDE	(BLACK) UL94V-0						
1	BRASS	BLACK CHROME PLATING	3	ACRYLONITRILE BUTADIENE RUBBER	(GRAY)			
NO.	MATERIAL	FINISH .	REMARKS	NO.	MATERIAL	FINISH .	REMARKS	
UNITS mm		SCALE 2 : 1	COUNT 	DESCRIPTION OF REVISIONS		DESIGNED	CHECKED	DATE
HIROSE ELECTRIC CO., LTD.	APPROVED	·HY. KOBAYASHI	18.02.26	DRAWING NO.		EDC-110618-31-00		
	CHECKED	·HY. KOBAYASHI	18.02.26	PART NO.		JR13WCCA-4(31)		
	DESIGNED	·TH. KAMEYA	18.02.23	CODE NO.		CL114-2069-9-31		
	DRAWN	·MK. INOUE	18.02.14			1/1		