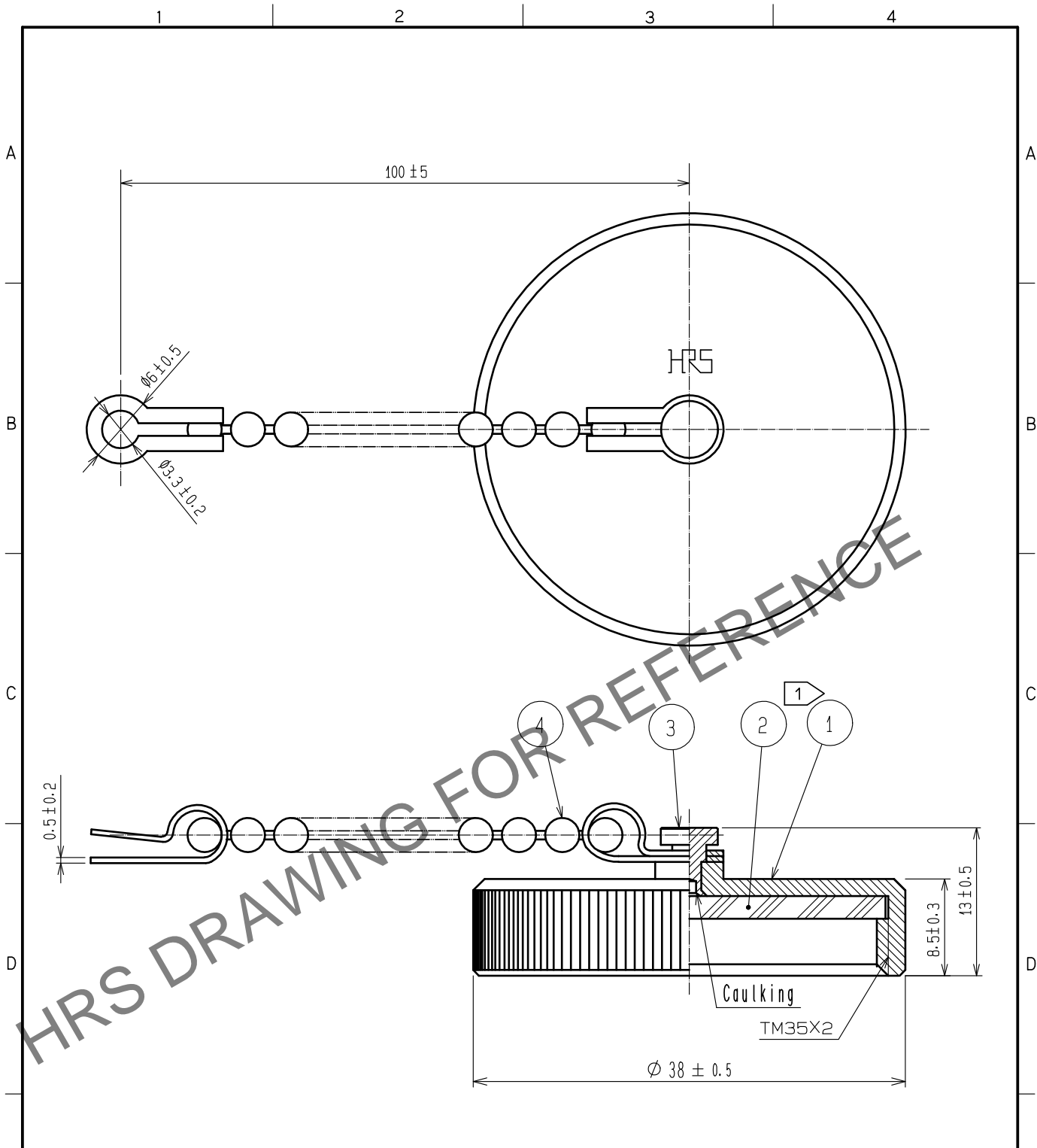


Apr.1.2024 Copyright 2024 HIROSE ELECTRIC CO., LTD. All Rights Reserved.  
 In case of consideration for using Automotive equipment / device which demand high reliability, kindly contact our sales window correspondents.



Notes ① The recommended tightening of ref. ① to be 2N·m.  
 2. This product is a cap for RM31TR+\*(\*) , RM31WTR+\*(\*) . It is applicable regardless of given alphabets or numbers shown at \*.

2	Chloroprene rubber	(Black)	4	Brass	Nickel plating
1	Brass	Nickel plating	3	Brass	Nickel plating
NO.	MATERIAL	FINISH . REMARKS	NO.	MATERIAL	FINISH . REMARKS
UNITS mm		SCALE 2 : 1	COUNT 3	DESCRIPTION OF REVISIONS DIS-C-00007408	DESIGNED TY. SUZUKI
				CHECKED HY. KOBAYASHI	DATE 20210802
<b>HRS</b> HIROSE ELECTRIC CO., LTD.	APPROVED	·HY. KOBAYASHI	20180222	DRAWING NO. EDC-003165-31-00	
	CHECKED	·HY. KOBAYASHI	20180222	PART NO. RM31TR-C(31)	
	DESIGNED	·HY. KISHI	20180221	CODE NO. CL0109-0394-3-31	
	DRAWN	·MK. INOUE	20180206	1/1	