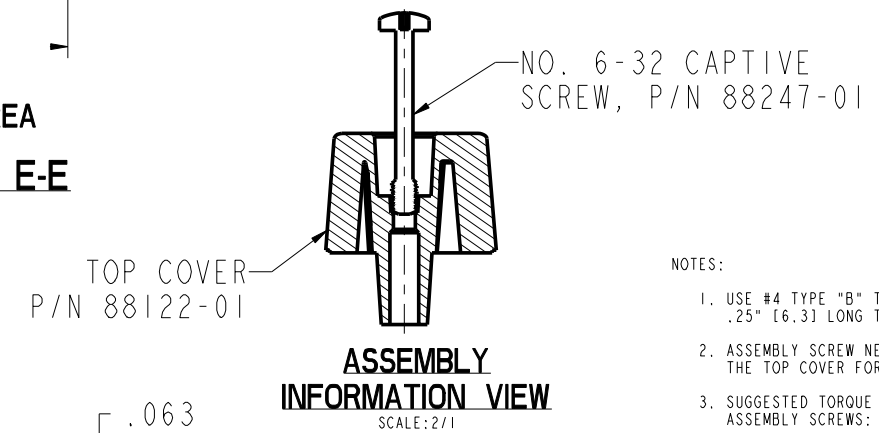
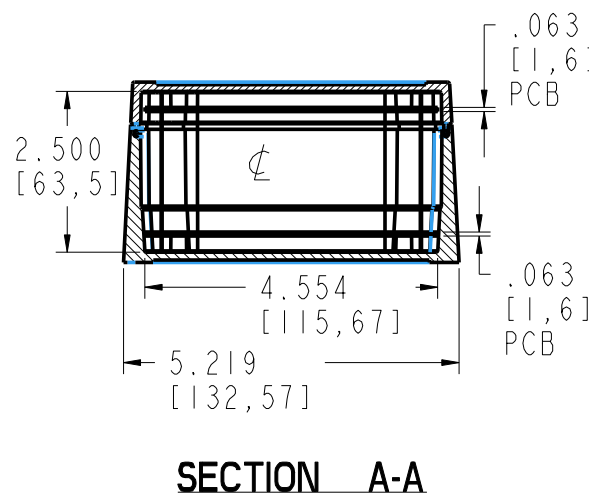
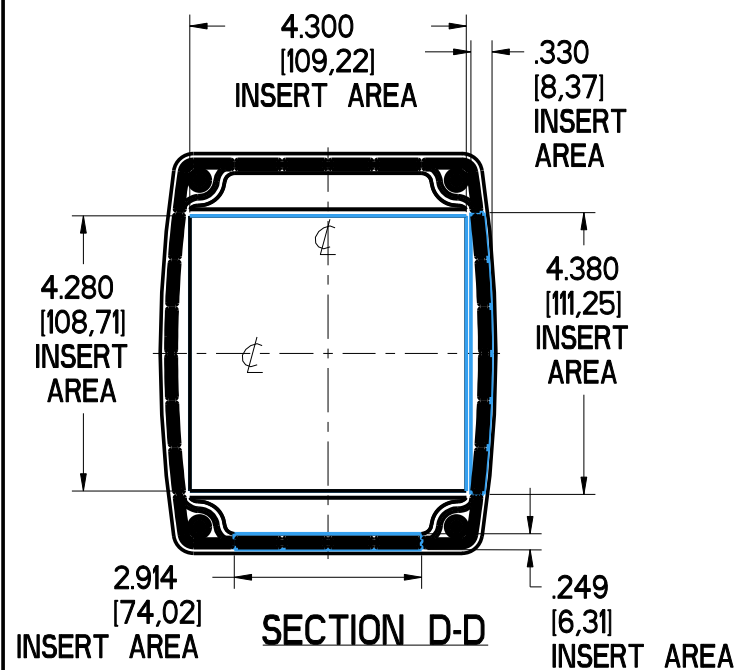


**MAX PCB SIZE**  
 .063 THICK  
 FITS TOP AND  
 BOTTOM COVERS



- NOTES:
1. USE #4 TYPE "B" THREAD FORMING SCREWS X .25" [6.3] LONG TO MOUNT CIRCUIT CARD ASSEMBLY.
  2. ASSEMBLY SCREW NEEDS TO BE THREADED THRU THE TOP COVER FOR INITIAL USE OF THE ENCLOSURE.
  3. SUGGESTED TORQUE REQUIREMENTS FOR THE 4 ASSEMBLY SCREWS: 8 INCH/POUNDS.



**PACINTEC**  
 1-610-361-4231

**ODTMNF56-2.5**

VISIT **PACINTEC**  
 ON THE WORLD WIDE WEB  
[www.pactecenclosures.com](http://www.pactecenclosures.com)

COLOR / MATERIAL / CODE		
COLOR	94HB	94V-0
BLACK	000	028
PC BONE	039	060

INSERT AREAS ARE SECTIONS IN OUR TOOLS THAT CAN BE REMOVED AND REPLACED WITH CUSTOMER SPECIFIC DETAILS

DRAWING NUMBER	REV
88095	A

SCALE: .7