

SUBCON-PLUS-CAN/90/M12 - D-SUB bus connector



2902323

<https://www.phoenixcontact.com/us/products/2902323>

Please be informed that the data shown in this PDF document is generated from our online catalog. Please find the complete data in the user documentation. Our general terms of use for downloads are valid.

D-SUB connector, 9-pos., socket, assignment: 2, 3, 5, 7, 9; two M12 cable entries (A-coded) under 90°. Bus system: CAN, CANopen[®]. Termination resistor via separate M12 terminator.



Product description

The SUBCON-PLUS fast connectors with M12 connection ensure error-free installation of bus systems, thanks to the use of fully-tested components such as cables and connectors. The innovative housing concept is lightweight yet offers optimum mechanical protection against environmental influences. This means that the fast connection plugs are ideal, even in applications subject to vibration. The unique SPEEDCON fast locking system on the M12 connections offers reliable connection with just half a turn.

Your advantages

- Easy startup, plug and play
- Error-free installation, particularly in standard machine production
- Quick connection thanks to M12-SPEEDCON fast locking system
- Low weight
- CANopen[®]
- Termination using M12 termination resistor
- Adapter between IP20 and IP67 environments
- Through-contacted shielding from M12 to D-SUB

Commercial data

Item number	2902323
Packing unit	1 pc
Minimum order quantity	1 pc
Sales key	DN10
Product key	DNC541
Catalog page	Page 445 (C-6-2019)
GTIN	4046356655033
Weight per piece (including packing)	68.5 g
Weight per piece (excluding packing)	67.1 g
Customs tariff number	85366990
Country of origin	CN

SUBCON-PLUS-CAN/90/M12 - D-SUB bus connector



2902323

<https://www.phoenixcontact.com/us/products/2902323>

Technical data

Product properties

Product type	Data plug
MTTF	6706 Years (SN 29500 standard, temperature 25°C, operating cycle 21%)
	1817 Years (SN 29500 standard, temperature 40°C, operating cycle 34.25%)
	155 Years (SN 29500 standard, temperature 40°C, operating cycle 100%)
Pin assignment	2, 3, 5, 7, 9

Electrical properties

Nominal voltage U_N	5 V
Nominal current I_N	100 mA

Connection data

Tightening torque	... 0.4 Nm
-------------------	------------

D-SUB connection

Connection method	D-SUB socket
-------------------	--------------

M12 connector

Connection method	M12 male, A-coded
-------------------	-------------------

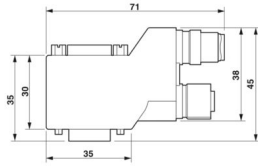
M12 connector

Connection method	M12 female, A-coded
-------------------	---------------------

Interfaces

Bus system	CAN, CANopen, SafetyBus-P
Signal	CAN
	CANopen®

Dimensions

Dimensional drawing	
Width	16 mm
Height	40 mm
Length	71 mm

Material specifications

Material Housing	Polyamide
------------------	-----------

SUBCON-PLUS-CAN/90/M12 - D-SUB bus connector



2902323

<https://www.phoenixcontact.com/us/products/2902323>

Environmental and real-life conditions

Ambient conditions

Degree of protection	IP40
Ambient temperature (operation)	-30 °C ... 80 °C
Ambient temperature (storage/transport)	-40 °C ... 85 °C
Ambient temperature (assembly)	-20 °C ... 80 °C
Altitude	≤ 5000 m (For restrictions, see the manufacturer's declaration for altitude operation)
Permissible humidity (operation)	10 % ... 95 % (non-condensing)
Permissible humidity (storage/transport)	5 % ... 95 % (non-condensing)

Standards and regulations

Free from substances that could impair the application of coating	in accordance with VW-AUDI-Seat central standard P-VW 3.10.7 57 65 0
---	--

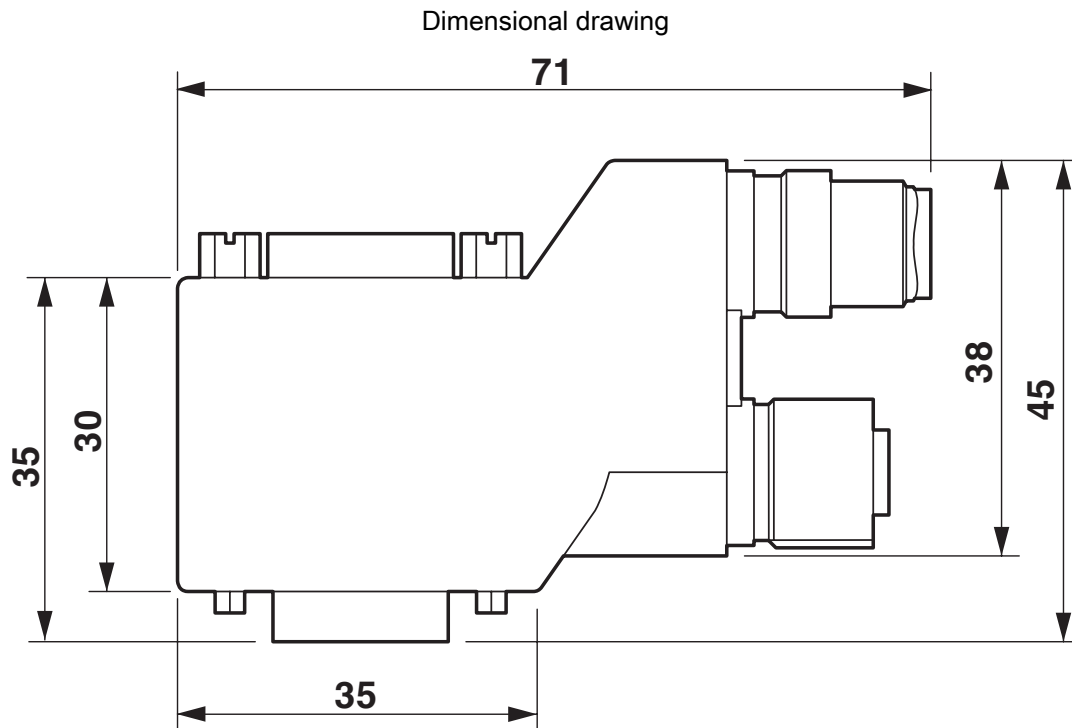
SUBCON-PLUS-CAN/90/M12 - D-SUB bus connector



2902323

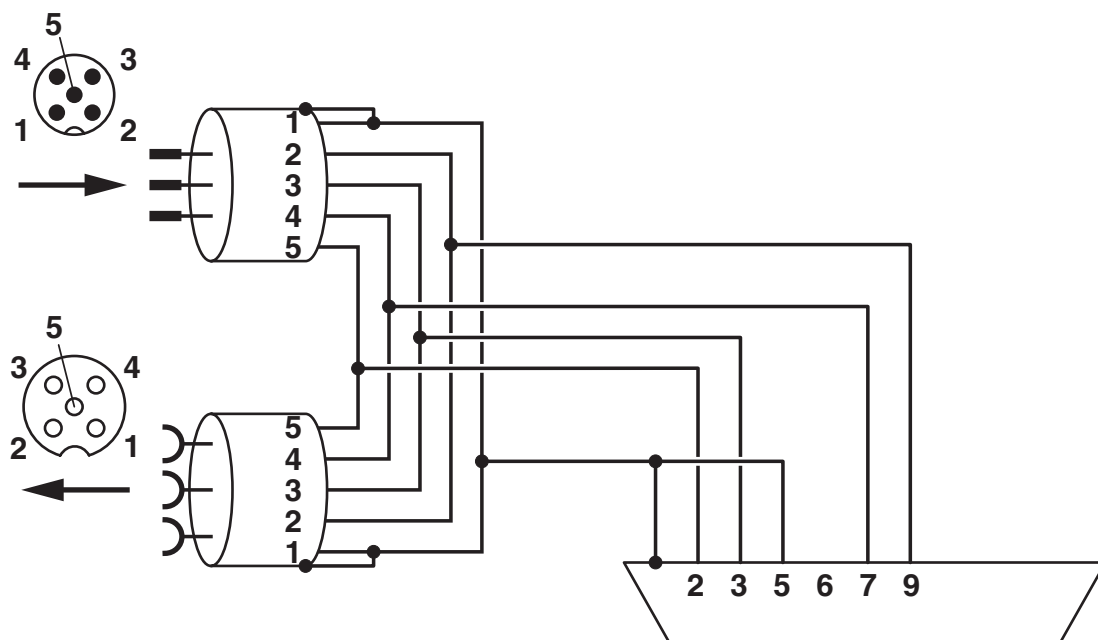
<https://www.phoenixcontact.com/us/products/2902323>

Drawings



SUBCON-PLUS...90...M12 dimensional drawing, short 90° version

Block diagram



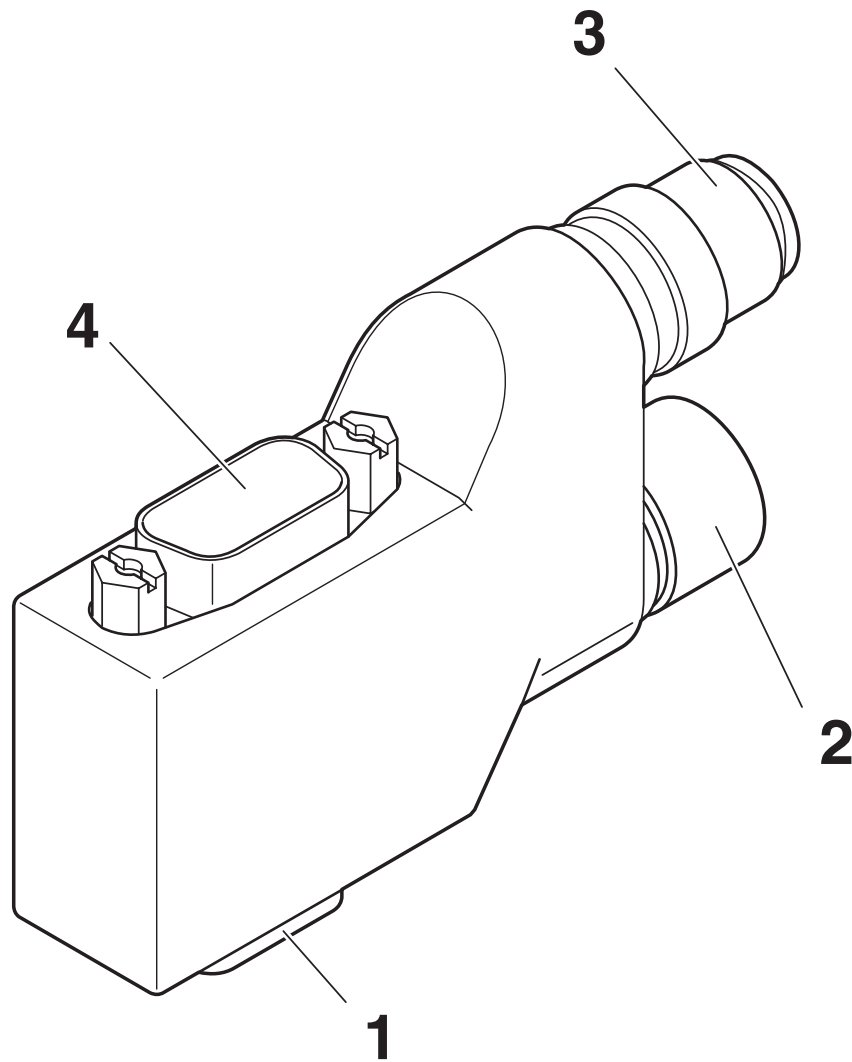
SUBCON-PLUS-CAN/...M12 function block diagram

SUBCON-PLUS-CAN/90/M12 - D-SUB bus connector

2902323

<https://www.phoenixcontact.com/us/products/2902323>

Schematic diagram



Function elements

1 = D-SUB 9

2 = Outgoing M12 connection

3 = Incoming M12 connection

4 = D-SUB PG connection (depending on the version)

SUBCON-PLUS-CAN/90/M12 - D-SUB bus connector



2902323

<https://www.phoenixcontact.com/us/products/2902323>

Approvals

To download certificates, visit the product detail page: <https://www.phoenixcontact.com/us/products/2902323>



cUL Recognized

Approval ID: FILE E 238705



UL Recognized

Approval ID: FILE E 238705

cULus Recognized

SUBCON-PLUS-CAN/90/M12 - D-SUB bus connector



2902323

<https://www.phoenixcontact.com/us/products/2902323>

Classifications

ECLASS

ECLASS-11.0	27440302
ECLASS-13.0	27440302
ECLASS-12.0	27440302

ETIM

ETIM 9.0	EC001132
----------	----------

UNSPSC

UNSPSC 21.0	39121400
-------------	----------

2902323

<https://www.phoenixcontact.com/us/products/2902323>

Environmental product compliance

EU RoHS

Fulfills EU RoHS substance requirements	Yes
Exemption	6(c)

China RoHS

Environment friendly use period (EFUP)	EFUP-50
	An article-related China RoHS declaration table can be found in the download area for the respective article under "Manufacturer declaration". For all articles with EFUP-E, no China RoHS declaration table issued and required.

EU REACH SVHC

REACH candidate substance (CAS No.)	Lead(CAS: 7439-92-1)
SCIP	7eacad7b-405e-415d-b5ed-0977c461359b

SUBCON-PLUS-CAN/90/M12 - D-SUB bus connector



2902323

<https://www.phoenixcontact.com/us/products/2902323>

Accessories

SAC-5P-M12MS CAN TR - Termination resistor

1507816

<https://www.phoenixcontact.com/us/products/1507816>



Terminating resistor CANopen[®]/DeviceNet[™] M12

SAC-5P-M12FS CAN TR - Termination resistor

1529344

<https://www.phoenixcontact.com/us/products/1529344>



Terminating resistor CANopen[®]/DeviceNet[™] M12

SUBCON-PLUS-CAN/90/M12 - D-SUB bus connector



2902323

<https://www.phoenixcontact.com/us/products/2902323>

SUBCON-PLUS-CAN/90/PG/M12 - D-SUB bus connector

2902322

<https://www.phoenixcontact.com/us/products/2902322>



D-SUB connector, 9-pos., socket, with Pg-D-SUB pin, assignment: 2, 3, 5, 7; 9; two M12 cable entries (A-coded) under 90°. Bus system: CAN, CANopen®. Termination resistor via separate M12 terminator.

SAC-5P-MS/ 0,3-920/FS SCO - Bus system cable

1518258

<https://www.phoenixcontact.com/us/products/1518258>



Bus system cable, CANopen®, DeviceNet™, 5-position, PUR halogen-free, red lilac RAL 4001, shielded (Tinned copper braided shield), Plug straight M12 SPEEDCON, coding: A, on Socket straight M12 SPEEDCON, coding: A, cable length: 0.3 m

SUBCON-PLUS-CAN/90/M12 - D-SUB bus connector



2902323

<https://www.phoenixcontact.com/us/products/2902323>

SAC-5P-MS/ 1,0-920/FS SCO - Bus system cable

1518274

<https://www.phoenixcontact.com/us/products/1518274>



Bus system cable, CANopen[®], DeviceNet[™], 5-position, PUR halogen-free, red lilac RAL 4001, shielded (Tinned copper braided shield), Plug straight M12 SPEEDCON, coding: A, on Socket straight M12 SPEEDCON, coding: A, cable length: 1 m

SAC-5P-MS/ 5,0-920/FS SCO - Bus system cable

1518290

<https://www.phoenixcontact.com/us/products/1518290>



Bus system cable, CANopen[®], DeviceNet[™], 5-position, PUR halogen-free, red lilac RAL 4001, shielded (Tinned copper braided shield), Plug straight M12 SPEEDCON, coding: A, on Socket straight M12 SPEEDCON, coding: A, cable length: 5 m

SUBCON-PLUS-CAN/90/M12 - D-SUB bus connector



2902323

<https://www.phoenixcontact.com/us/products/2902323>

SAC-5P-MS-FS SCO/920/... - Bus system cable

1538157

<https://www.phoenixcontact.com/us/products/1538157>

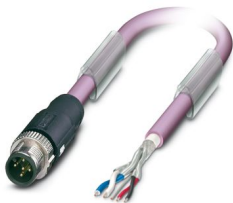


Bus system cable, CANopen[®], DeviceNet[™], 5-position, PUR halogen-free, red lilac RAL 4001, shielded (Tinned copper braided shield), Plug straight M12 SPEEDCON, coding: A, on Socket straight M12 SPEEDCON, coding: A, cable length: Free input (0.2 ... 40.0 m)

SAC-5P-MS/ 2,0-920 SCO - Bus system cable

1518177

<https://www.phoenixcontact.com/us/products/1518177>



Bus system cable, CANopen[®], DeviceNet[™], 5-position, PUR halogen-free, red lilac RAL 4001, shielded (Tinned copper braided shield), Plug straight M12 SPEEDCON, coding: A, on free cable end, cable length: 2 m

SUBCON-PLUS-CAN/90/M12 - D-SUB bus connector



2902323

<https://www.phoenixcontact.com/us/products/2902323>

SAC-5P-MS-FR SCO/920/... - Bus system cable

1433304

<https://www.phoenixcontact.com/us/products/1433304>



Bus system cable, CANopen[®], DeviceNet[™], 5-position, PUR halogen-free, red lilac RAL 4001, shielded (Tinned copper braided shield), Plug straight M12 SPEEDCON, coding: A, on Socket angled M12 SPEEDCON, coding: A, cable length: Free input (0.2 ... 40.0 m)

Phoenix Contact 2024 © - all rights reserved

<https://www.phoenixcontact.com>

Phoenix Contact USA
586 Fulling Mill Road
Middletown, PA 17057, United States
(+717) 944-1300
info@phoenixcon.com