

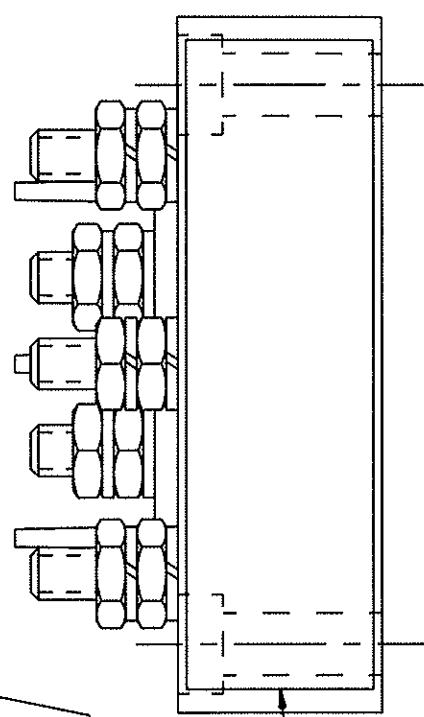
FAA/PMA

REV.	DESCRIPTION	DATE	APPROVED
H	40471 REDRAWN, MAX* ADDED TO .59	99/09/27	RS
J	41485 MAX* ADDED TO .76 & 1.03	00/02/01	RS

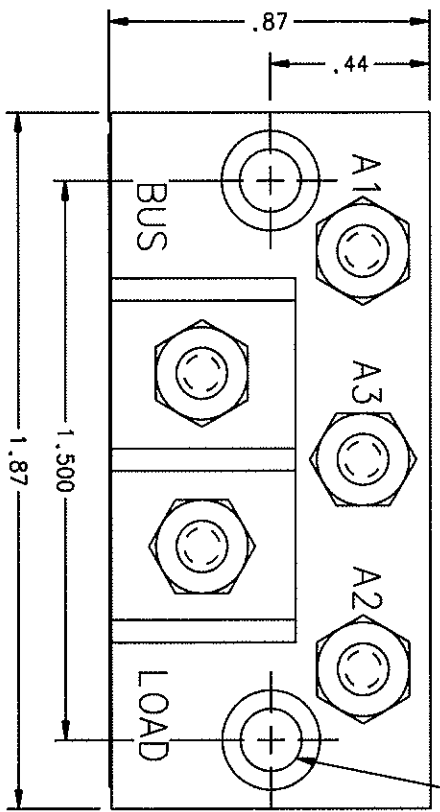
Q-50E

RELEASED

REV. J



.166 DIA HOLE, C-BORE
.265 DIA X .12 DEEP
2 MTG HOLES



OPERATE CHARACTERISTICS

CONTINUOUS PICKUP DROPOUT 6.25 AMPS DC MAX
3.5 AMPS DC MAX
1.4 AMP MIN.

CONTACT RATING .25 AMP 28 VDC

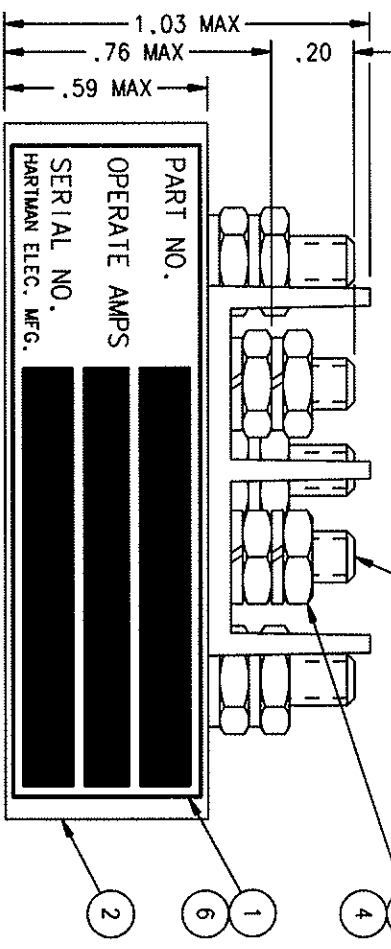
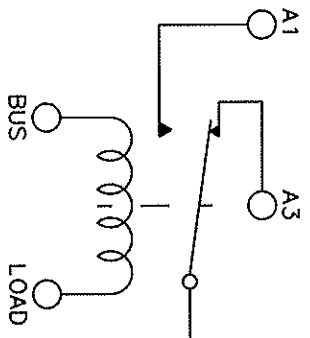
LAMP LOAD .080 AMP 28 VDC

VIBRATION 10 G'S TO 500 HZ

ALTITUDE 60,000 FT. MAX

TEMP. -55°C TO +71°C

MAX. WEIGHT 1.25 OZ.



6-32 UNC-2A
5 REQ'D.

PART NO.
OPERATE AMPS
SERIAL NO.
HARTMAN ELEC. MFG.

QTY	PART OR IDENTIFYING NO	NAME OR DESCRIPTION	FSOI NO	DRAWING OR SPECIFICATION	MATERIAL OR NOTE
6	39529-024	OVERLAY			
2	58400-173	PLATE - FAA/PMA			
5	51806-014	WASHER - LOCK NO. 6 SPLIT			BRONZE
3	50406-034	NUT - 6-32 X 1/4 X 5/64 HEX			BRASS
2	35893-020	RELAY ASSEMBLY - PRIMARY			
1	34246-001	PLATE - NAME			

UNLESS OTHERWISE SPECIFIED DIMENSIONS ARE IN INCHES TOLERANCES IN

2 PL. DEC. 13 PL. DEC. ANGLES
.06 ±.010 ±.1

DR BY RLS 00/02/25
CHK BY KRS 00/02/25
ENGR R&D 00/03/03
MFG W 00/03/03

RELEASE
CONTR NO.
GOVT Apprvl

SIZE CODE IDENT DWG NO.
C 74063 Q-50E

SCALE NONE SHEET

HARTMAN ELECTRICAL MANUFACTURING
MANFIELD, OHIO

RELAY - CURRENT INDICATOR
093