



# Product Change Notification

## TE Connectivity

Product Change Notification: PCN-23-179402

PCN Date: 26-JUN-23

TE would like to inform you of the following change(s) to the listed TE Connectivity Product. In case of any further questions about this change(s), please contact your TE Connectivity Sales Engineer. Affected part, drawing and/or specification numbers are listed on the attached sheet(s).

**General Product Description:**

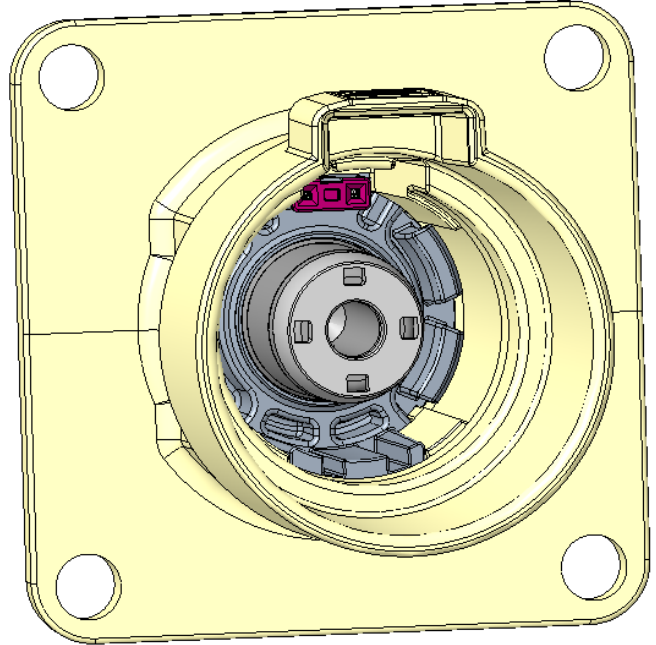
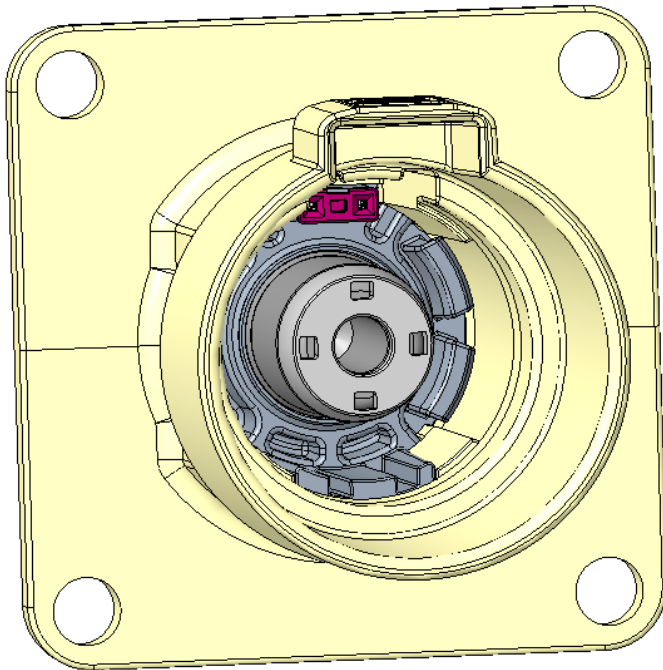
HD1000/HD1400 Platform header HD1000/HD1400 Through hole header

**Description of Changes**

Optimize the guide feature to improve mating process between header and plug. No effect on the contact points & electrical performance between power terminals.

No chamfer in terminal

Add chamfer in terminal



**Reason for Changes:**

Optimize the guide feature to improve mating process between header and plug. No effect on the contact points & electrical performance between power terminals.

**PCN Attributes:**

<b>Product Category:</b> Hems Products	<b>Kind of Change:</b> Geometry
<b>Change Feature:</b> Contact	<b>Potential Customer Impact:</b> No Customer Impact
<b>Remarks:</b>	

**Estimated Dates:**

<b>Last Order Date (Obsolete Parts Only):</b> 30-JUN-2023	<b>First Ship Date of Changed Items (Changed Parts Only):</b> 30-JUN-2023
<b>Last Ship Date of Changed Items (Obsolete Parts Only):</b> 30-JUN-2023	<b>Last Date for Mixed Shipments: (Changed Parts Only):</b> 30-JUN-2023
<b>Effectivity Date:</b> 30-JUN-2023	<b>Date of First Samples:</b> 30-JUN-2023

## Part Number(s) being Modified:

Part Number	Part Discontinued per PCN	Customer Drawing	Customer Part Number	Alias Part Number(s)	Substitute Part Number	Substitute Alias Part Number(s)	Description Of Difference
<a href="#">1-2394061-1</a>	NO						
<a href="#">1-2394061-2</a>	NO						
<a href="#">1-2394062-1</a>	NO						
<a href="#">1-2394071-1</a>	NO						
<a href="#">1-2394071-2</a>	NO						
<a href="#">1-2394072-1</a>	NO						
<a href="#">1-2399607-1</a>	NO						
<a href="#">1-2399607-2</a>	NO						
<a href="#">1-2399608-1</a>	NO						
<a href="#">1-2399610-1</a>	NO						
<a href="#">1-2399610-2</a>	NO						
<a href="#">1-2399611-1</a>	NO						
<a href="#">2-2394061-1</a>	NO						
<a href="#">2-2394061-2</a>	NO						
<a href="#">2-2394062-1</a>	NO						
<a href="#">2-2394071-1</a>	NO						
<a href="#">2-2394071-2</a>	NO						
<a href="#">2-2394072-1</a>	NO						
<a href="#">2-2399607-1</a>	NO						
<a href="#">2-2399607-2</a>	NO						
<a href="#">2-2399608-1</a>	NO						
<a href="#">2-2399610-1</a>	NO						
<a href="#">2-2399610-2</a>	NO						
<a href="#">2-2399611-1</a>	NO						
<a href="#">2394060-1</a>	NO						
<a href="#">2394060-2</a>	NO						
<a href="#">2394060-3</a>	NO						
<a href="#">2394061-1</a>	NO						
<a href="#">2394061-2</a>	NO						
<a href="#">2394062-1</a>	NO						
<a href="#">2394070-1</a>	NO						
<a href="#">2394070-2</a>	NO						
<a href="#">2394070-3</a>	NO						
<a href="#">2394071-1</a>	NO						
<a href="#">2394071-2</a>	NO						
<a href="#">2394072-1</a>	NO						
<a href="#">2399606-1</a>	NO						
<a href="#">2399606-2</a>	NO						
<a href="#">2399606-3</a>	NO						
<a href="#">2399607-1</a>	NO						
<a href="#">2399607-2</a>	NO						
<a href="#">2399608-1</a>	NO						
<a href="#">2399609-1</a>	NO						
<a href="#">2399609-2</a>	NO						
<a href="#">2399609-3</a>	NO						
<a href="#">2399610-1</a>	NO						
<a href="#">2399610-2</a>	NO						
<a href="#">2399611-1</a>	NO						
<a href="#">4-2394060-1</a>	NO						
<a href="#">4-2394060-2</a>	NO						
<a href="#">4-2394060-3</a>	NO						
<a href="#">4-2394070-1</a>	NO						
<a href="#">4-2394070-2</a>	NO						
<a href="#">4-2394070-3</a>	NO						
<a href="#">4-2399606-1</a>	NO						
<a href="#">4-2399606-2</a>	NO						
<a href="#">4-2399606-3</a>	NO						
<a href="#">4-2399609-1</a>	NO						
<a href="#">4-2399609-2</a>	NO						
<a href="#">4-2399609-3</a>	NO						
<a href="#">8-2394060-1</a>	NO						
<a href="#">8-2394060-2</a>	NO						
<a href="#">8-2394060-3</a>	NO						
<a href="#">8-2394070-1</a>	NO						

Part Number(s) being Modified:

Part Number	Part Discontinued per PCN	Customer Drawing	Customer Part Number	Alias Part Number(s)	Substitute Part Number	Substitute Alias Part Number(s)	Description Of Difference
<a href="#">1-2394061-1</a>	NO						
<a href="#">1-2394061-2</a>	NO						
<a href="#">1-2394062-1</a>	NO						
<a href="#">1-2394071-1</a>	NO						
<a href="#">1-2394071-2</a>	NO						
<a href="#">1-2394072-1</a>	NO						
<a href="#">1-2399607-1</a>	NO						
<a href="#">1-2399607-2</a>	NO						
<a href="#">1-2399608-1</a>	NO						
<a href="#">1-2399610-1</a>	NO						
<a href="#">1-2399610-2</a>	NO						
<a href="#">1-2399611-1</a>	NO						
<a href="#">2-2394061-1</a>	NO						
<a href="#">2-2394061-2</a>	NO						
<a href="#">2-2394062-1</a>	NO						
<a href="#">2-2394071-1</a>	NO						
<a href="#">2-2394071-2</a>	NO						
<a href="#">2-2394072-1</a>	NO						
<a href="#">2-2399607-1</a>	NO						
<a href="#">2-2399607-2</a>	NO						
<a href="#">2-2399608-1</a>	NO						
<a href="#">2-2399610-1</a>	NO						
<a href="#">2-2399610-2</a>	NO						
<a href="#">2-2399611-1</a>	NO						
<a href="#">2394060-1</a>	NO						
<a href="#">2394060-2</a>	NO						
<a href="#">2394060-3</a>	NO						
<a href="#">2394061-1</a>	NO						
<a href="#">2394061-2</a>	NO						
<a href="#">2394062-1</a>	NO						
<a href="#">2394070-1</a>	NO						
<a href="#">2394070-2</a>	NO						
<a href="#">2394070-3</a>	NO						
<a href="#">2394071-1</a>	NO						
<a href="#">2394071-2</a>	NO						
<a href="#">2394072-1</a>	NO						
<a href="#">2399606-1</a>	NO						

Part Number	Part Discontinued per PCN	Customer Drawing	Customer Part Number	Alias Part Number(s)	Substitute Part Number	Substitute Alias Part Number(s)	Description Of Difference
<a href="#">2399606-2</a>	NO						
<a href="#">2399606-3</a>	NO						
<a href="#">2399607-1</a>	NO						
<a href="#">2399607-2</a>	NO						
<a href="#">2399608-1</a>	NO						
<a href="#">2399609-1</a>	NO						
<a href="#">2399609-2</a>	NO						
<a href="#">2399609-3</a>	NO						
<a href="#">2399610-1</a>	NO						
<a href="#">2399610-2</a>	NO						
<a href="#">2399611-1</a>	NO						
<a href="#">4-2394060-1</a>	NO						
<a href="#">4-2394060-2</a>	NO						
<a href="#">4-2394060-3</a>	NO						
<a href="#">4-2394070-1</a>	NO						
<a href="#">4-2394070-2</a>	NO						
<a href="#">4-2394070-3</a>	NO						
<a href="#">4-2399606-1</a>	NO						
<a href="#">4-2399606-2</a>	NO						
<a href="#">4-2399606-3</a>	NO						
<a href="#">4-2399609-1</a>	NO						
<a href="#">4-2399609-2</a>	NO						
<a href="#">4-2399609-3</a>	NO						
<a href="#">8-2394060-1</a>	NO						
<a href="#">8-2394060-2</a>	NO						
<a href="#">8-2394060-3</a>	NO						
<a href="#">8-2394070-1</a>	NO						