

# Product data sheet

Specifications



## Latching emergency stop rope pull switch, Telemecanique rope pull switches XY2C, e XY2CH, 1NC+1 NO, booted pushbutton

XY2CH13250

### Main

Range of product	Telemecanique Emergency stop rope pull switches XY2C
product or component type	Latching emergency stop rope pull switch
Device short name	XY2CH
Housing colour	Red RAL 3000
Overvoltage category	Class I conforming to EN/IEC 61140 Class I conforming to NF C 20-030

### Complementary

Local signalling	Without pilot light
Number of cables	1
Trigger cable maximum length	30 m
body material	Zamak
Cover material	Stainless steel
Reset	By booted push-button
Contacts type and composition	1 NC + 1 NO
Contact operation	Slow-break
Trigger cable anchor point	RH or LH side
Connections - terminals	Screw clamp terminal, 1 x 0.5...2 x 1.5 mm <sup>2</sup>
Tightening torque	0.8...1.2 N.m
Cable entry number	3 tapped entry for Pg 13.5 cable gland
Safety level	Can reach PL = e with the appropriate monitoring system and correctly wired conforming to EN/ISO 13849-1 Can reach category 4 with the appropriate monitoring system and correctly wired conforming to EN/ISO 13849-1 Can reach SIL 3 with the appropriate monitoring system and correctly wired conforming to EN/IEC 61508
Safety reliability data	B10d = 4000000 conforming to IEC 60947-5-5 value given for a life time of 20 years limited by mechanical or contact wear
marking	CE
Mechanical durability	800000 cycles
Distance between cable supports	5 m
[Ie] rated operational current	3 A at 240 V, AC-15, A300 conforming to EN/IEC 60947-5-1 appendix A 0.27 A at 250 V, DC-13, Q300 conforming to EN/IEC 60947-5-1 appendix A
[Ithe] conventional enclosed thermal current	10 A

<b>[Ui] rated insulation voltage</b>	500 V (pollution degree 3) conforming to EN/IEC 60947-1 300 V conforming to UL 508
<b>[Uimp] rated impulse withstand voltage</b>	6 kV conforming to EN/IEC 60947-1
<b>Positive opening</b>	With conforming to EN/IEC 60947-5-1
<b>Maximum resistance across terminals</b>	25 MOhm conforming to EN/IEC 60255-7 category 3 25 MOhm conforming to NF C 93-050 method A
<b>Short-circuit protection</b>	10 A cartridge fuse type gG conforming to EN/IEC 60269
<b>Terminals description ISO n°1</b>	(13-14)NO (21-22)NC
<b>net weight</b>	0.865 kg
<b>Compatibility code</b>	XY2CH

## Environment

<b>Standards</b>	EN/IEC 60947-5-1 EN/IEC 60204-1 Machinery directive 2006/42/EC EN/IEC 60947-5-5 EN/ISO 13850 Work equipment directive 2009/104/EC
<b>Product certifications</b>	UL category NISD emergency stop devices CCC
<b>protective treatment</b>	TC
<b>Ambient air temperature for operation</b>	-25...70 °C
<b>Ambient air temperature for storage</b>	-40...70 °C
<b>Vibration resistance</b>	10 gn (f= 10...150 Hz) conforming to EN/IEC 60068-2-6
<b>Shock resistance</b>	50 gn 11 ms conforming to EN/IEC 60068-2-27
<b>IP degree of protection</b>	IP65 conforming to IEC 60529

## Packing Units

<b>Unit Type of Package 1</b>	PCE
<b>Number of Units in Package 1</b>	1
<b>Package 1 Height</b>	9.2 cm
<b>Package 1 Width</b>	8.0 cm
<b>Package 1 Length</b>	19.6 cm
<b>Package 1 Weight</b>	1.01 kg
<b>Unit Type of Package 2</b>	S03
<b>Number of Units in Package 2</b>	10
<b>Package 2 Height</b>	30.0 cm
<b>Package 2 Width</b>	30.0 cm
<b>Package 2 Length</b>	40.0 cm
<b>Package 2 Weight</b>	10.65 kg
<b>Unit Type of Package 3</b>	P06
<b>Number of Units in Package 3</b>	80
<b>Package 3 Height</b>	77.0 cm
<b>Package 3 Width</b>	80.0 cm

---

Package 3 Length	60.0 cm
------------------	---------

---

Package 3 Weight	93.7 kg
------------------	---------

## Contractual warranty

---

Warranty	18 months
----------	-----------

## Sustainability

**Green Premium™ label** is Schneider Electric's commitment to delivering products with best-in-class environmental performance. Green Premium promises compliance with the latest regulations, transparency on environmental impacts, as well as circular and low-CO<sub>2</sub> products.

**Guide to assessing product sustainability** is a white paper that clarifies global eco-label standards and how to interpret environmental declarations.

[Learn more about Green Premium >](#)

[Guide to assess a product's sustainability >](#)



RoHS/REACH

## Well-being performance

✓ Mercury Free

✓ Rohs Exemption Information Yes

## Certifications & Standards

Reach Regulation

[REACH Declaration](#)

Eu Rohs Directive

Pro-active compliance (Product out of EU RoHS legal scope)

Circularity Profile

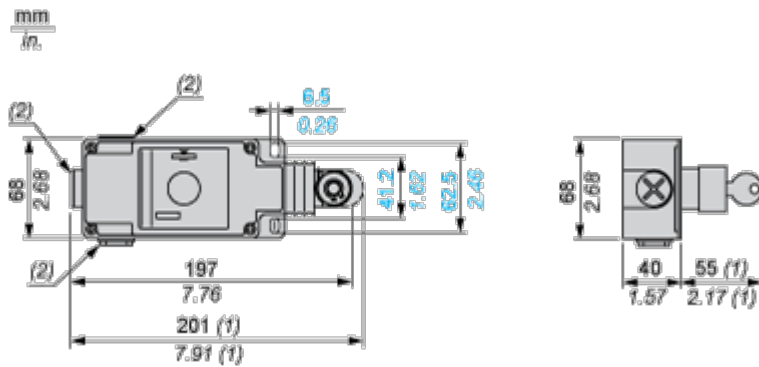
No need of specific recycling operations

California Proposition 65

WARNING: This product can expose you to chemicals including: Diisononyl phthalate (DINP), which is known to the State of California to cause cancer, and Diisodecyl phthalate (DIDP), which is known to the State of California to cause birth defects or other reproductive harm. For more information go to [www.P65Warnings.ca.gov](http://www.P65Warnings.ca.gov)

Dimensions Drawings

Dimensions



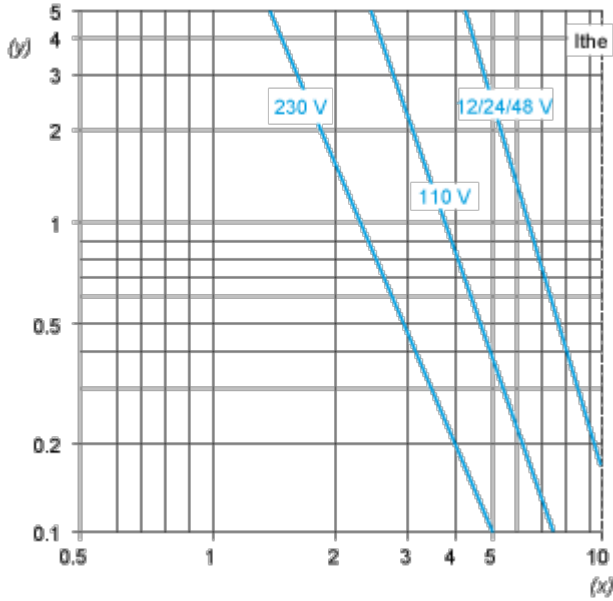
- (1) Maximum extension.
- (2) Tapped entry for n° 13 (Pg 13.5) cable entry

Performance Curves

Electrical Curves

AC Supply 50/60 Hz Inductive Circuit

2-pole Contact Block



Y Millions of operating cycles

X Current in A

DC Supply Power Broken in for 1 Million Operating Cycles Inductive Circuit

Voltage	V	24	48	120
$I_{th}$	W	13	9	7