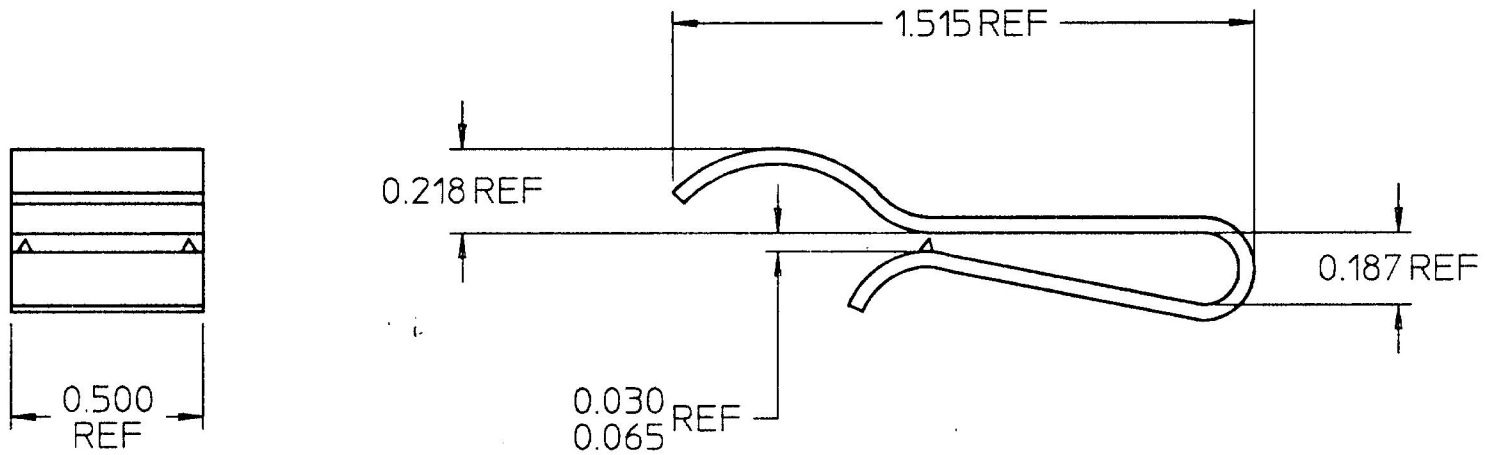



3118



- NOTES:  
 (D) 1. MATERIAL: 0.038/0.042 THK #1050 STEEL  
 2. FINISH: DRY PARKERIZE # K4500  
 3. VENDOR: CARR HS-99104

DO NOT SCALE

LET.	WAS	DATE	BY	LET.	WAS	DATE	BY	MATERIAL	DRAWN	CHK	APVD	SCALE	DATE DRAWN
								NOTED	RP	AY		2:1	8/17/45
								FINISH NOTED	 <b>Cole Hersee Co.</b> 20 OLD COLONY AVENUE, BOSTON, MA., U.S.A., 02127			DATE BLUEPRINTED	
								TOLERANCES DECIMAL ± 0.005 ANGLE ±	CLIP WIRING			3118	
				D	ECN # 25952 PUT ON CAD	9/11/95	MB						