

## Push-Pull Circular Connectors



| Application             |                      |
|-------------------------|----------------------|
| Motors                  | Power                |
| Electronics             | Mechanical           |
| Medical Equipment       | MRT                  |
| Automobiles             | Electric Vehicles    |
| Communication Equipment | Military Application |

## B Metal series

JPC offers diversified plastic and medical connectors ideal for medical equipment. Features including quick mating/unmating, keying, color-coding, chemical resist, vibration resist, enduring high-temperature, and pressure. From patient monitoring devices to disposable surgical ablation catheters, our connectors offer medical grade push-pull self latching connector in plastic, metal, and even waterproof IP68 connector features. Furthermore, our customization service can offer you proper features to meet your medical connector needs.

### Technical Data

|                                 |                                |
|---------------------------------|--------------------------------|
| Part Number                     | PZACF2BXA12101                 |
| For cable ø                     | 1.4 to 9.9 mm                  |
| Current rating                  | 1.5 to 25A                     |
| Dielectric withstanding voltage | 0.6 to 2.4 kV rms              |
| Insulation resistance           | 10 <sup>12</sup> Ω             |
| Temperature range               | -55°C to 250°C                 |
| Durability: gt                  | 5,000 cycles                   |
| Shielding: gt                   | 75dB at 10Mhz; gt;40dB at 1Ghz |
| NO. of contacts                 | 2 to 32 Pin                    |

### Product Features

Push-Pull self-latching

Quick and easy mating and de-mating

FDA approved biocompatible materials (PSU or PEI)

Electrical Safety (touch & scoop proof)

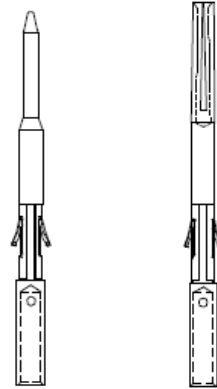
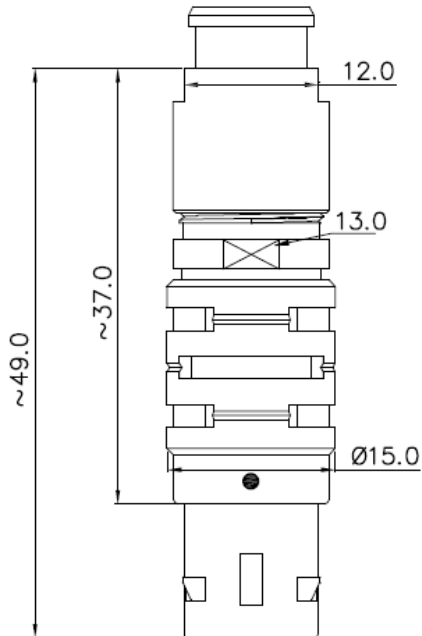
Multiple Key options (6 keyways)

Wide selection of colors for easy recognition (Black, White, Red, Yellow, Green, Blue, Grey)

Watertight and disposable connectors available

## B Metal series

### Interface Dimensions



CRIMP CONTACT  
VIEW 1

### Key Direction

