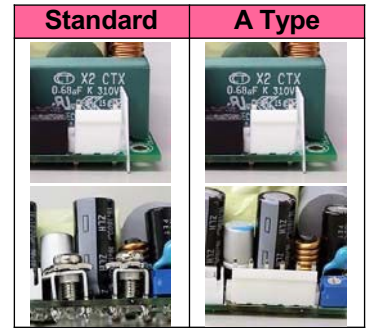


240 Watts

AC-DC Medical Switching
Power Supply



Please refer to the types of terminal block; the pictures shown are for illustration purpose only, actual product may vary.

KEY FEATURES

- Open Frame Medical Switching Power Supply
- Cooling by Free Air Convection
- 160 Watts and 240 Watt with 10CFM Forced Air
- 4000VAC Input to Output 2MOPP Insulation
- High Efficiency up to 94%
- With P.F.C. Function >0.9
- <0.5W No Load Input Power
- Built-in 12V / 0.5A Fan Supply
- EMI for Both Class I (with PE) and Class II (without PE) Configuration
- Suitable for BF Application with Appropriate System Consideration
- UL / IEC / EN 60601 3.1 Edition & UL / IEC / EN 60950 AM2 Safety Approvals



ELECTRICAL SPECIFICATIONS

All specifications valid at normal input voltage, full load and +25°C after warm-up time unless otherwise stated.

Model No.	HDM240O-112	HDM240O-115	HDM240O-124	HDM240O-148	
Max Output Wattage (with 10CFM FAN) (W)	240 W				
Max Output Wattage (Free air Convection) (W)	160 W				
Input	Voltage (Note 4)	90-264 VAC			
	Frequency (Hz)	47-63 Hz			
	Current (Full load)	< 3.0 A max. (115 VAC) / < 1.5 A max. (230 VAC)			
	Inrush Current (<2ms)	< 45 A max. (115 VAC) / < 90 A max. (230 VAC)			
	Leakage Current	< 0.1mA / 264 VAC (Touch Current)			
	Power Factor	PF>0.9 at Full Load			
	No Load	< 0.5W (115 / 230 VAC)			
Output	Voltage (V.DC.)	12V	15V	24V	48V
	Voltage Adj Range (V.DC.)	±4% Output Voltage			
	Voltage Accuracy	±2%			
	Current (with 10CFM FAN) (A) (max.)	20	16	10	5
	Current (Free air Convection) (A) (max.)	13.3	10.667	6.66	3.33
	Line Regulation	±1%			
	Load Regulation (0-100%)	±1%			
	Minimum Load	0%			
	Maximum Capacitive Load	8000µF	2000µF	3000µF	470µF
	Ripple & Noise (max.) (Note 1)	1% Vout			
	Efficiency (at 230VAC) (Note 6)	92.5%	92.5%	93%	94%
	Hold-up Time (at 115 VAC) (Note 2)	10 ms min.			
Protection	Over Power Protection	Auto recovery, Hiccup mode			
	Over Voltage Protection	Auto recovery			
	Over Temperature Protection	Auto recovery			
	Short Circuit Protection	Protection level 1 (nominal) : Continuous, Auto recovery Protection level 2 (instantaneous high current) : Latch			
Isolation	Input-Output (Note 5)	4000VAC or 5656VDC			
	Input-PE (Note 5)	2000VAC or 2828VDC			
	Output-PE (Note 5)	1500VAC or 2121VDC			

ELECTRICAL SPECIFICATIONS

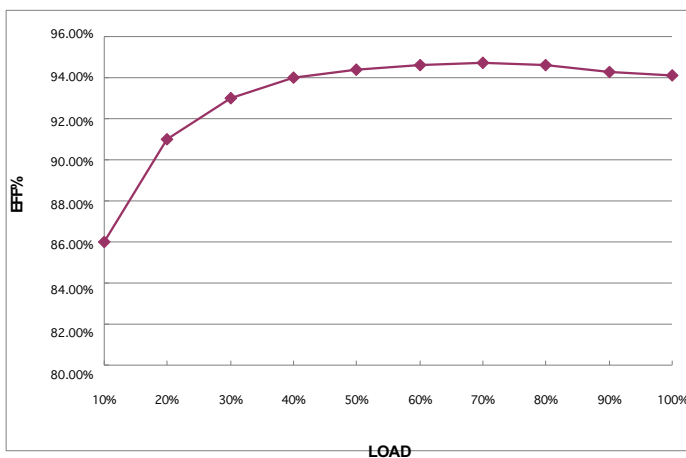
All specifications valid at normal input voltage, full load and +25°C after warm-up time unless otherwise stated.

Model No.	HDM2400-112	HDM2400-115	HDM2400-124	HDM2400-148	
Environment	Operating Temperature	-30°C...+70°C (with derating)			
	Storage Temperature	-30°C...+85°C			
	Temperature Coefficient	±0.05%/°C			
	Altitude During Operation	5000m			
	Humidity	20~90% RH			
	Atmospheric Pressure	56 kPa to 106 kPa			
	MTBF	>250,000 h @ 25°C (MIL-HDBK-217F, Notice 1)			
	Vibration	IEC60068-2-6 (10~500Hz, 2G 10min./1cycle, 60min. each along X, Y, Z axes)			
	Shock	IEC60068-2-27			
Physical	Dimensions (L x W x H)	4.1 x 2.05 x 1.087 Inches (103.9 x 52.0 x 27.6 mm) Tolerance ±0.5 mm			
	Weight	234 g			
	Cooling Method	Free convection / 10 CFM FAN			
Safety	Approval	112/124/148 UL / IEC / EN 60601 3.1 st Edition (2 x MOPP) , UL / IEC / EN 60950 AM2, UL / IEC / EN 62368			
	Approval / Meet	115: UL / IEC / EN 60601 3.1 st Edition (2 x MOPP) , UL / IEC / EN 60950 AM2 (meet), UL / IEC / EN 62368 (meet)			
EMC	Conducted EMI (Note 8)	EN55011 Conducted Class B			
	Radiated EMI (Note 8)	EN55011 Class I class B / Class II class A			
	EMS	EN60601-1-2 4th edition			

NOTE

1. Ripple & Noise are measured at 20MHz of bandwidth with 0.1uF & 47uF parallel capacitor.
2. Hold-up Time measured at 90% Vout.
3. Fan Supply=12V/0.5A (max) for driving a fan..
4. Please check the derating curve for more details.
5. Strongly recommend to conduct this test with DC Voltage. If customer wishes to test with AC Voltage, please disconnect all Y-Capacitors from Digital Power Corporation power supply.

6. Vin at 230 VAC & 48 Vout



(After 30 minutes of burn-in)

NOTE

7. The FAN supply is designed to serve as the source of the additive external fan for the cooling of the power supply, enabling the full load delivery and assuring the best life span of the product. Please do not use this FAN supply to drive other devices.

For 112, 124, 148			
Main Output Power	FAN Voltage (at 0.1A)	FAN Voltage (at 0.25A)	FAN Voltage (at 0.5A)
25%	12.1V	11.8V	11.5V
50%	12.2V	11.9V	11.7V
75%	12.3V	12.0V	11.8V
100%	12.5V	12.2V	11.9V

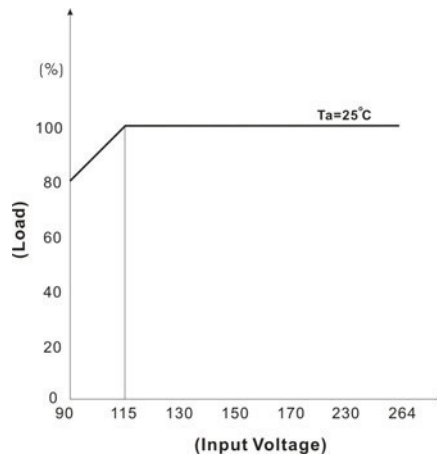
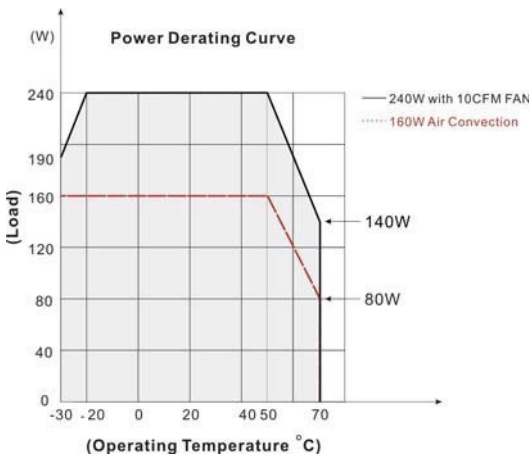
For 115			
Main Output Power	FAN Voltage (at 0.1A)	FAN Voltage (at 0.25A)	FAN Voltage (at 0.5A)
25%	10.8V	10.2V	9.3V
50%	10.9V	10.3V	9.4V
75%	10.9V	10.4V	9.5V
100%	11.0V	10.4V	9.5V

8. Please secure the power supply unit to your metal case by using the four screw holes in the corners for either Class I or Class II equipment

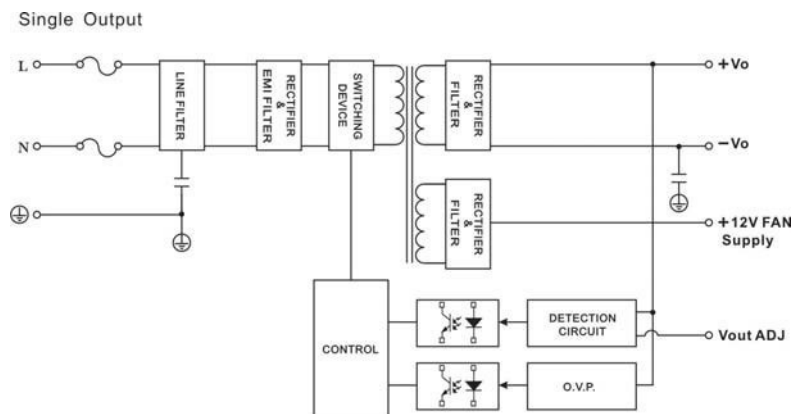
9. CAUTION: Double pole, neutral fusing. Disconnect mains before servicing.

(ATTENTION : 2 poles avec fusible sur le neutre. Deconnecter le secteur avant intervention.)

DERATING

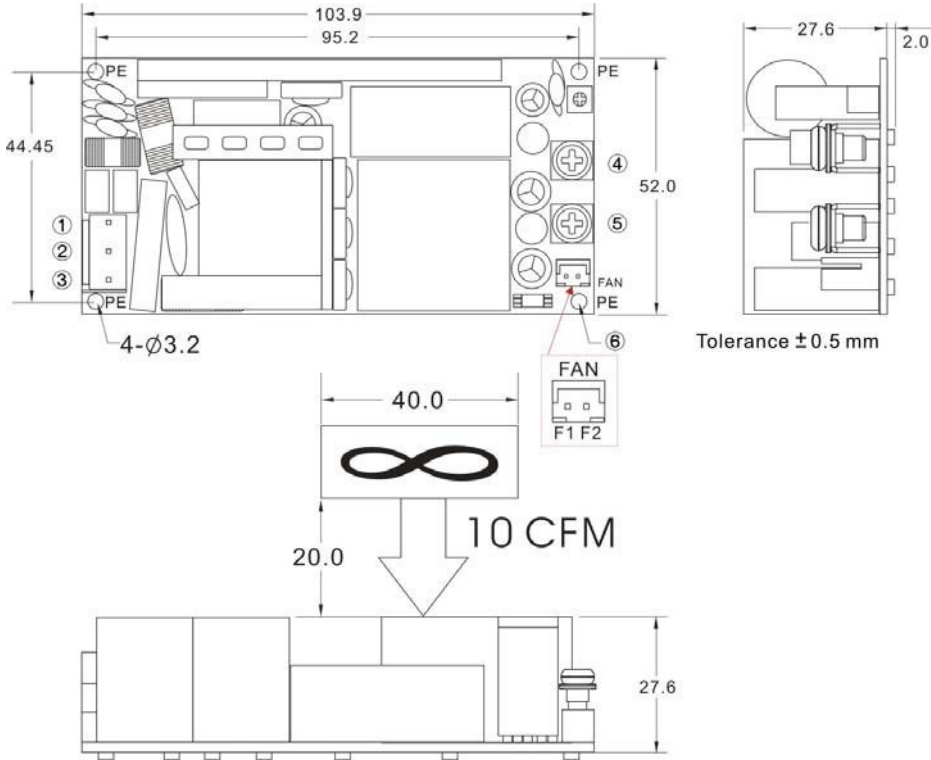


BLOCK DIAGRAM



MECHANICAL DIMENSIONS (Top View)

Standard



Standard



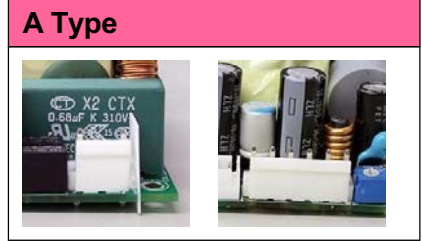
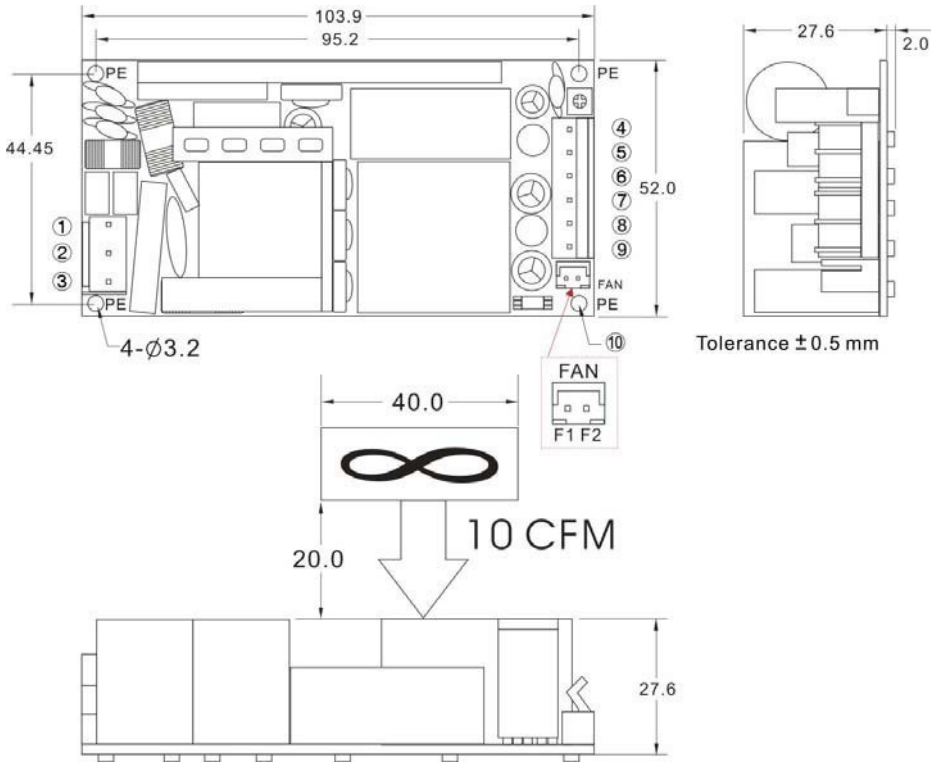
Please refer to the types of terminal block; the pictures shown are for illustration purpose only, actual product may vary.

Brands		Alex		JST	
PIN#	Single	Mating Housing	Terminal	Mating Housing	Terminal
1	AC IN (N)	9396-3	96T series	VHR-3N	SVH-41T-P1.1
2	NO PIN				
3	AC IN (L)				
4	+DC OUT	Terminal : M3.5 Pan HD screw in 2 positions Torque to 8 lbs-in(90 cNm) max.			
5	-DC OUT				
6	PE	—	—	—	—

Connector Pin (FAN)					
Brands		Cherng Weei		JST	
PIN#	Single	Mating Housing	Terminal	Mating Housing	Terminal
F1	+AUX OUT	CX-H250-02	CX-T2501	XHP-2	SXH-002T-P0.6
F2	-AUX OUT				

MECHANICAL DIMENSIONS (Top View)

A Type



Please refer to the types of terminal block; the pictures shown are for illustration purpose only, actual product may vary.

Brands		Alex		JST	
PIN#	Single	Mating Housing	Terminal	Mating Housing	Terminal
1	AC IN (N)	9396-3	96T series	VHR-3N	SVH-41T-P1.1
2	NO PIN				
3	AC IN (L)				
4~6	+DC OUT	9396-6	96T series	VHR-6N	SVH-41T-P1.1
7~9	-DC OUT				
10	PE	—	—	—	—

Connector Pin (FAN)					
Brands		Cheng Weei		JST	
PIN#	Single	Mating Housing	Terminal	Mating Housing	Terminal
F1	+AUX OUT	CX-H250-02	CX-T2501	XHP-2	SXH-002T-P0.6
F2	-AUX OUT				