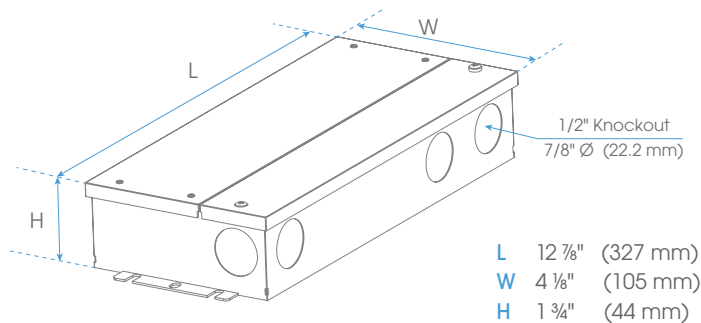


# DL-PS-96X3/24-JB-OD-UNI-DIM

UNIVERSAL DIMMING LED POWER SUPPLY  
24V DC HARDWIRE IN JUNCTION BOX ENCLOSURE



Fixture Type
Project
Notes



The DL-PS-XX/24-JB-OD-UNI-DIM series is an Outdoor Class 2 Universal Dimming 24V Power Supply with Junction Boxes for 30W, 60W, 96W, 96Wx2, 96Wx3, 96Wx4. It works with Forward phase, Reverse Phase, or 0-10V dimmers. With universal input voltage – 100 to 277V AC, it provides smooth, flicker-free PWM dimming (PWM Frequency: 800Hz). IP66, indoor/outdoor – for dry, damp, and wet locations. Cooling by free air convection. Load 10-100%, short circuit, over-temperature, and over-loading protection. Built-in PFC function, it is also UL8750 Listed and Class 2 power unit. Weights only 2.4kg (5.3lb.), includes (9) 7/8" knockouts metal enclosures.



**CLASS 2  
TYPE HL**

## SPECIFICATIONS

### INPUT

<b>INPUT VOLTAGE</b>	120 - 277V AC
<b>INPUT FREQUENCY</b>	47-63Hz
<b>INPUT CURRENT (MAX.)</b>	3.4A @100V AC
<b>POWER FACTOR (TYP.) @ FULL LOAD</b>	0.99 @ 120V AC 0.94 @ 277V AC
<b>EFFICACY (TYP.) @ FULL LOAD</b>	87% @ 120V AC 89% @ 277V AC
<b>INRUSH CURRENT (TYP.)</b>	35A, twidth = 96µs @ 120V AC 43A, twidth = 1ms @ 277V AC
<b>THD (TYP.) @ FULL LOAD</b>	<20%
<b>LEAKAGE CURRENT</b>	<0.50mA

### OUTPUT

<b>OUTPUT VOLTAGE</b>	24V DC
<b>RATED OUTPUT POWER</b>	96W x 3 (288W)
<b>RATED LOAD CURRENT</b>	3 x 4.0A (12.0A)
<b>VOLTAGE TOLERANCE</b>	+/-0.5V
<b>VOLTAGE REGULATION</b>	+/-0.5%
<b>LOAD REGULATION</b>	+/-1%

### PROTECTION

<b>SHORT CIRCUIT</b>	Shut down o/p voltage, re-power on to recover after fault condition is removed
<b>OVER LOADING</b>	≤120% Hiccup mode, recovers automatically after fault condition is removed
<b>OVER TEMPERATURE</b>	212°F+/-50°F (100°C +/-10°C) shut down o/p voltage, automatically recover after cooling

### ENVIRONMENT

<b>IP RATINGS</b>	IP66, Indoor/Outdoor – For Dry, Damp and Wet locations
<b>OPERATING AMBIENT TEMPERATURE†</b>	-40°C to +60°C (-40°F to +140°F)
<b>OPERATING AMBIENT HUMIDITY</b>	20-90% RH, non-condensing
<b>STORAGE TEMPERATURE</b>	-40°C to +80°C (-40°F to +176°F)
<b>STORAGE HUMIDITY</b>	10-95% RH
<b>TEMPERATURE COEFFICIENT</b>	+/-0.03%/°C (0-50°C)
<b>VIBRATION</b>	10-500Hz, 5G 10min./1 cycle period for 60min, each along X, Y and Z axes

† See Derating Curve

### SAFETY & EMC

<b>SAFETY STANDARDS</b>	UL8750
<b>WITHSTAND VOLTAGE</b>	I/P-O/P:1.88KV AC
<b>ISOLATION RESISTANCE</b>	I/P-O/P:100MΩ / 500V DC / 25°C / 70% RH
<b>EMC EMISSION</b>	FCC Part 15 B

# DL-PS-96X3/24-JB-OD-UNI-DIM

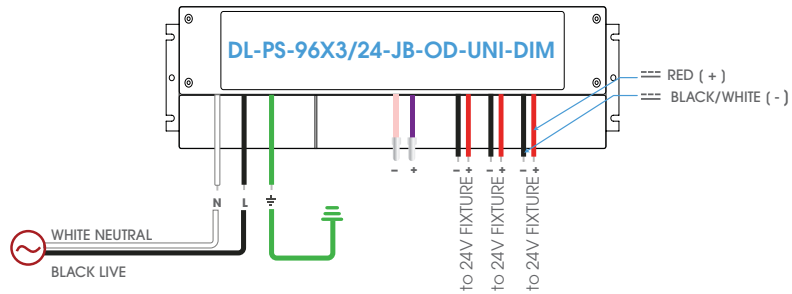
UNIVERSAL DIMMING LED POWER SUPPLY  
24V DC HARDWIRE IN JUNCTION BOX ENCLOSURE



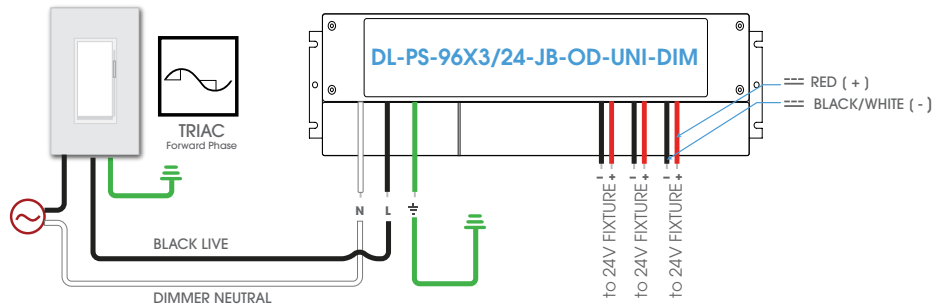
Fixture Type
Project
Notes

## WIRING DIAGRAM

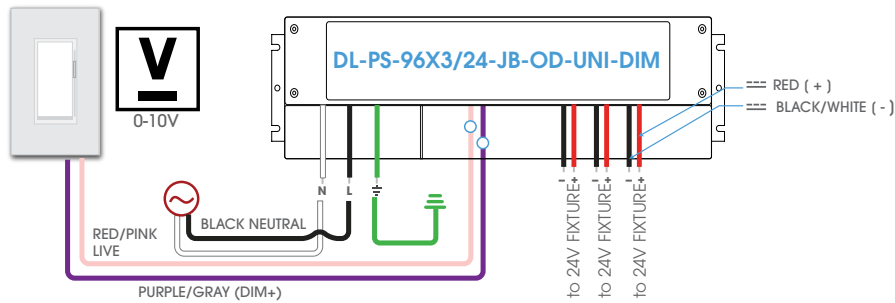
### TYPICAL DIRECT WIRING: NON DIMMING APPLICATIONS



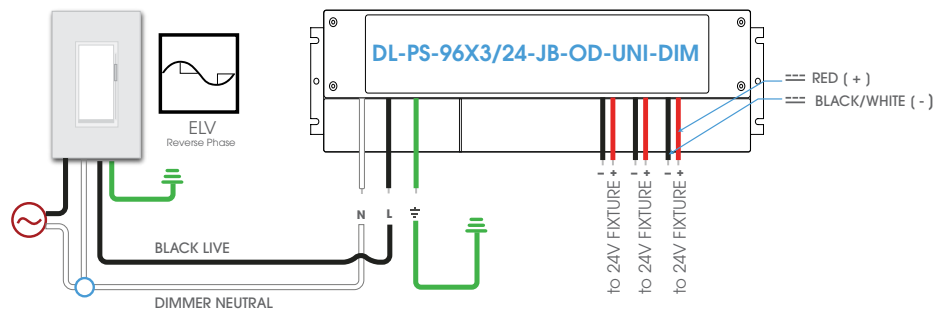
### TYPICAL DIRECT WIRING: TRIAC DIMMING



### TYPICAL DIRECT WIRING: 0 - 10 DIMMING (LOW VOLTAGE 0 - 10V DIMMER)



### TYPICAL DIRECT WIRING: ELV DIMMING



# DL-PS-96X3/24-JB-OD-UNI-DIM

UNIVERSAL DIMMING LED POWER SUPPLY  
24V DC HARDWIRE IN JUNCTION BOX ENCLOSURE



Fixture Type
Project
Notes

## RECOMMENDED DIMMERS

BRAND	MODEL NUMBER	TYPE	INPUT VOLTAGE RANGE	DIMMING RANGE	BRAND	MODEL NUMBER	TYPE	INPUT VOLTAGE RANGE	DIMMING RANGE	
<b>LUTRON</b>	SCL-153PR-WH	Forward Phase	100-130V	0-100%	<b>LEVITON</b>	VPI06-1LZ	Forward Phase	100-130V	15-100%	
	DVCL-153PR-WH	Forward Phase	100-130V	0-100%		TTI06-1LZ	Forward Phase	100-130V	1-100%	
	DVWCL-153PH-LA	Forward Phase	100-130V	0-100%		IPL06	Forward Phase	100-130V	15-100%	
	CTCL-153PDH-LA	Forward Phase	100-130V	0-100%		DZ6HD	Forward Phase	100-130V	17-100%	
	TGCL-153PR-WH	Forward Phase	100-130V	0-100%		TBL03	Forward Phase	100-130V	15-100%	
	TGCL-153PH-WH	Forward Phase	100-130V	0-100%		6672	Forward Phase	100-130V	20-100%	
	MACL-153MH-LA	Forward Phase	100-130V	20-100%		6602	Forward Phase	100-130V	0-100%	
	CT-600PR-IV	Forward Phase	100-130V	0-100%		6674	Forward Phase	100-130V	16-100%	
	CT-600PR-WH	Forward Phase	100-130V	0-100%		AWSMT-EAW	Reverse Phase	100-130V	0-100%	
	CT-103PR-WH	Forward Phase	100-130V	0-100%		AWSMT-EAW	Reverse Phase	277V	0-100%	
	DV-600PR-BL	Forward Phase	100-130V	0-100%		6683	Forward Phase	100-130V	10-100%	
	DV-600PR-WH	Forward Phase	100-130V	0-100%		<b>LEGRAND</b>	RHCL453PNICCV6	Forward Phase	100-130V	6-100%
	MIR-600M	Forward Phase	100-130V	2-100%			WSCL450TCCCV4	Forward Phase	100-130V	11-100%
	TG-600PR-LA	Forward Phase	100-130V	4-100%	LSCL453PLACCV4		Forward Phase	100-130V	11-100%	
	TG-600PR-IV	Forward Phase	100-130V	0-100%	<b>CRESTON</b>	CLW-DELVEX-P-W-S	Reverse Phase	100-130V	11-100%	
	TG-600PR-WH	Forward Phase	100-130V	0-100%		<b>EATON</b>	DF10P-C1	0-10V	120-277V	5-100%
	TG-10PR-WH	Forward Phase	100-130V	0-100%						
	S-600PR-WH	Forward Phase	100-130V	0-100%						
	MRF2-6ND-120-AL	Forward Phase	100-130V	0-100%						
	MSCSELV-600M	Reverse Phase	100-130V	0-100%						
	MEF2-6ELV-120	Reverse Phase	100-130V	0-100%						
	MRF2-6CL-GR	Forward Phase	100-130V	15-100%						
	DZ6HD	Forward Phase	100-130V	22-100%						
	PD-6WCL	Forward Phase	100-130V	19-100%						
	PD-5NE-WH	Forward Phase	100-130V	18-100%						
	NTLV-600-277-WH	Forward Phase	277V	1-100%						
	ST-12P-277	Forward Phase	277V	12-100%						
	NTF-10-277	Forward Phase	277V	1-100%						
	DVELV-300P-WH	Reverse Phase	100-130V	20-100%						
	SELV-300P	Reverse Phase	100-130V	15-100%						
DVSTV-WH	0-10V	120-277V	9-100%							
DVTV-WH	0-10V	120-277V	9-100%							

## DERATING CURVE

