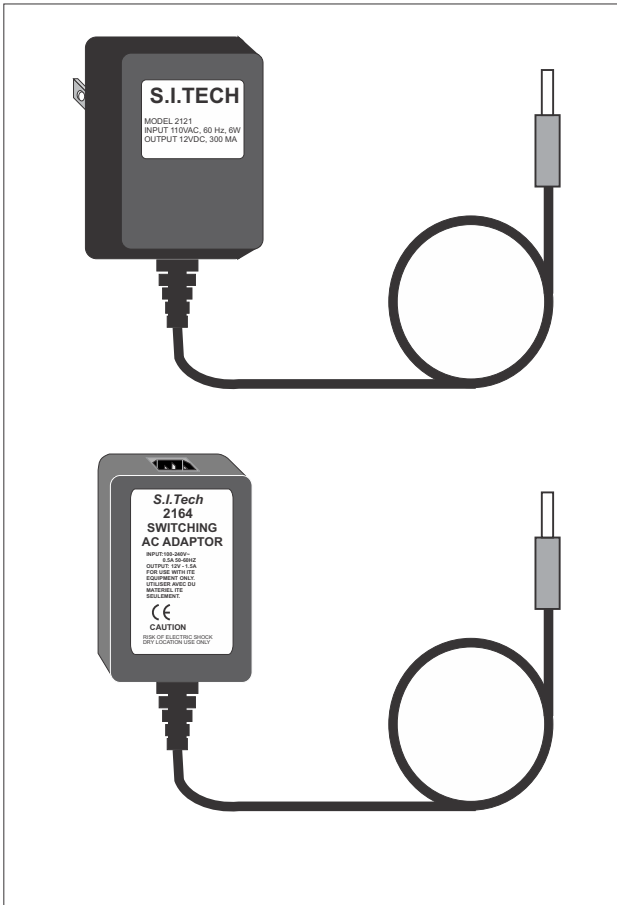


# 110/220 VAC Power Supplies



The S.I.Tech 110/220 VAC Power Supplies are designed for use with data communication equipment. They are recommended for use with S.I.Tech models 2105, 2106, 2107, 2150, 2170, 2171, 2505, 2526, and other Mini Bit-Drivers®.

**CAUTION:**  
These models are recommended for indoor use only.

- 2101 - 110 VAC to 12 VDC — Male, 300 mA
- 2103 - 110/220 VAC to 12 VDC — Female, Tempest, 300 mA
- 2121 - 110 VAC to 12 VDC — Female, 300 mA
- 2122 - Obsolete use 2164
- 2163 - 110/240 VAC to 24 VDC — 3-pin Female, 0.75 Amp
- 2164 - 110/240 VAC to 12 VDC — Female, 750 mA
- 2164A - 100/240 VAC to 12 VDC — Female, 1.5 A
- 2164-DIN - 110/240 VAC to 12 VDC — Female, 750 mA, Green connector
- 2165 - 110/240 VAC to 12 VDC - Female, 1.0 A, 12 W
- 2166 - 110/240 VAC to 5 VDC — Female, 4.0 A

**POWER PLUG**

**POLARITY:**

- Center: +
- Outside: - (Ground)

LCK - Locking Power Plug

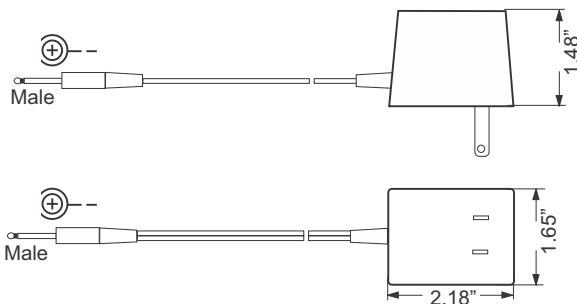
Note: Green connector is wired to match Bit-Driver®

*UL & CSA listed. All Power Supplies - ITE Listed LPS or NEC Class 2.*

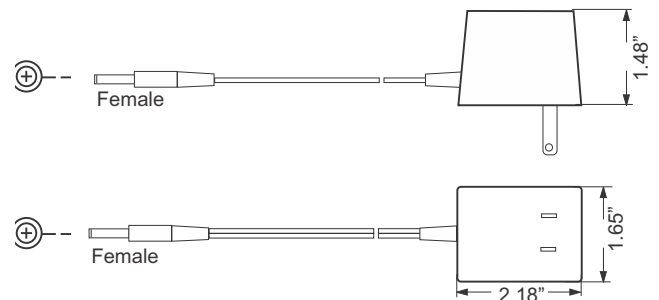
*Specifications subject to change without notice.*



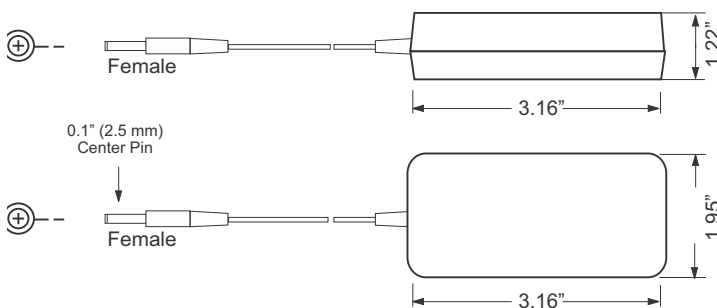
S.I.Tech #2101



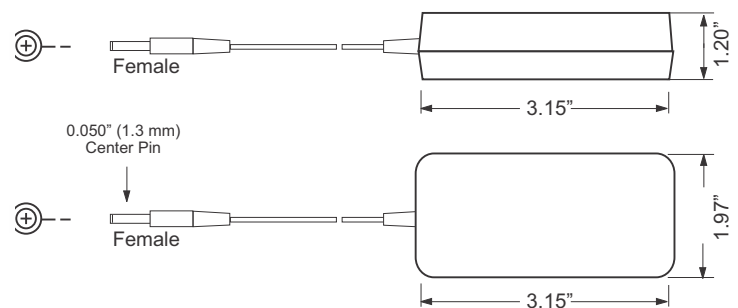
S.I.Tech #2121



S.I.Tech #2164 / #2165



S.I.Tech #2166



Note: Dimensions shown are approximate and are subject to change without notice.