

CMCP786A

General Purpose Top Entry Accelerometer, 2 Pin MS 5015



Features

- General Purpose Top Entry Accelerometer
- 100 mV/g $\pm 10\%$
- 140°C Max Temperature Range
- ± 80 g Dynamic Range
- 2 Pin MS 5015 Connector
- Class 1 Division 2 Approved
- Class 1 Division 1 Approved with IS Barrier or Isolator
- $\frac{1}{4}$ "-28 UNF and M8x1.25 Mounting Studs Included
- Sealed to IP68



Typical Applications

Fans, Motors, Pumps, Compressors, Centrifuges, Conveyors, Air Handlers, Gearboxes, Rolls, Dryers, Presses, Cooling, HVAC, Spindles, Machine Tooling, Process Equipment and many more.

Technical Performance

Mounted Base Resonance:	30 kHz (nominal)
Sensitivity:	100 mV/g $\pm 10\%$ Nominal 80 Hz at 22°C
Frequency Response:	2.0 Hz to 10 kHz $\pm 5\%$ (120 cpm to 600 kcpm) 1.0 Hz to 12 kHz $\pm 10\%$ (60 cpm to 720 kcpm) 0.8 Hz to 15 kHz ± 3 dB (48 cpm to 900 kcpm)
Isolation:	Base Isolated
Measurement Range:	± 80 g
Transverse Sensitivity:	Less than 5%

Electrical

Supply Voltage:	18-30 VDC
Current Range:	0.5 to 8 mA
Bias Voltage:	10-12 VDC
Electrical Noise:	0.1 mg Max.
Settling Time:	1.5 Second
Output Impedance:	200 Ohm Max.
Case Isolation:	$>10^8$ Ohm at 500 Volt

Environmental

Operating Temperature Range:	-67 to 284°F (-55 to 140°C)
Sealing:	IP68
Maximum Shock:	5000 g
Approvals:	CE and UKCA Approved CSA/UL Class 1 Division 2, Groups B, C and D

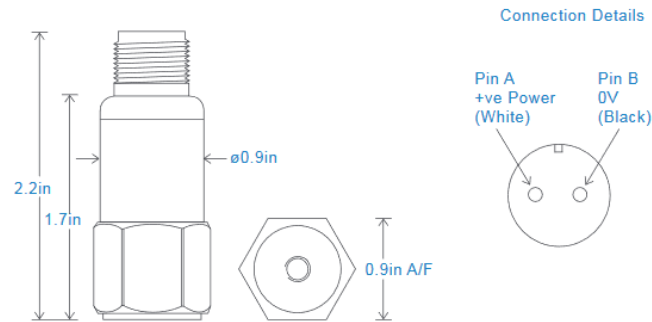
Mechanical

Case Material:	Stainless Steel
Sensing Element/Construction:	PZT/Compression
Mounting Torque:	5.9 ft-lbs (8 Nm)
Weight:	4.9 Oz (139 gram)
Mating Connector:	2 Pin MS 5015
Recommended Cable Assembly:	CMCP602L or CMCP602H Series
Mounting Thread:	$\frac{1}{4}$ -28 UNF Female $\frac{1}{4}$ -28 UNF and M8x1.25 Mounting Studs Provided

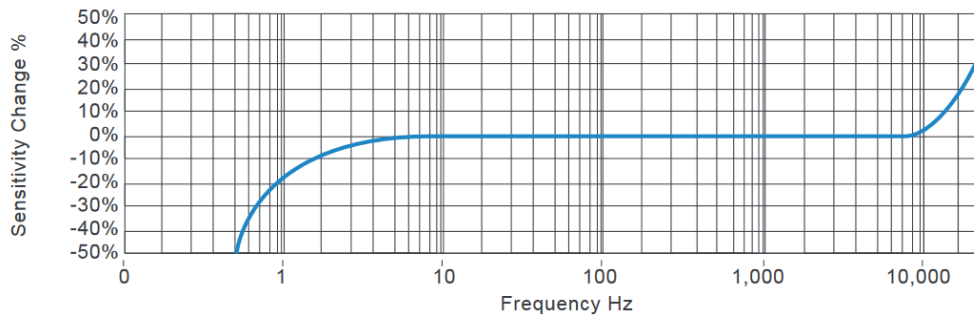
Hazardous Location Ratings

Class I, II, III, Division 1 and 2, Groups A-G, T4, -55°C to +110°C IP65
 Class 1, Zone 0, AEx, ia, IIC, T4, Ga, -55°C to +110°C
 Zone 20, AEx, ia, IIIC, T130°C, IP65, Da, -55°C to +110°C
 Class I, II, III, Division 1, 2, Groups A-G, T6, -55°C to +110°C
 Zone 20, AEx, ia, IIIX, T80°C, IP65, DA, -55°C to +110°C

Dimensions



Frequency Response



Ordering Information

CMCP786A General Purpose Top Entry Accelerometer, 100 mV/g, 2 Pin MS 5015 Connector

Alternative Sensitivity Ordering Information

Part Number	Sensitivity	Measurement Range	Base Resonance
CMCP786A-10	10 mV/g	± 800 g	34 kHz
CMCP786A-30	30 mV/g	± 250 g	33 kHz
CMCP786A-50	50 mV/g	± 160 g	32 kHz
CMCP786A-250	250 mV/g	± 32 g	28 kHz
CMCP786A-500	500 mV/g	± 16 g	26 kHz

Similar Products



M12 Connector
CMCP786A-M12



Submersible
CMCP786A-IP



Integral Armored Cable
CMCP786A-I