



UL Classified Cable Runways and Accessories

Speed up deployment time and maximize space with our runway systems, designed to optimize cable bandwidth and provide for maximum cabling density.

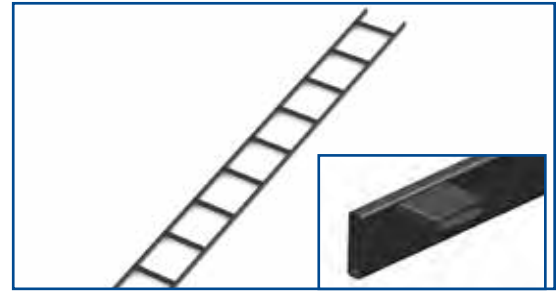
Features patent pending quick bond system; allowing section of runways to be electrically bonded without the use of a bonding strap

Our End-to-End Expertise
Your End-to-End Solution

Universal Style Cable Runway - UL Classified

Universal-style 250 cable runway. The maximum load capacity when supported every 5' with minimal deflection is 132 Lbs/ft. Welded steel tubing construction, individually boxed.

- Overall length = 10'
- Side stringer = 1.5" x 0.375" x 0.065"
- Cross member = 1.5" x 0.375" x 0.065" welded at 12" intervals
- Available in black powder (B) or white (W) powder coated finish*



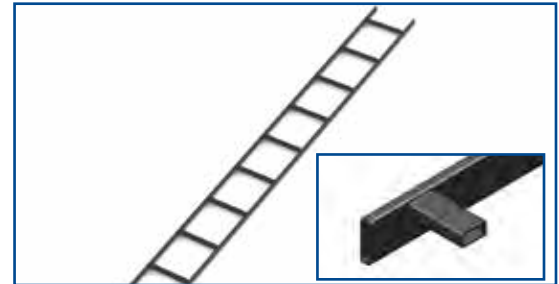
Part Number		Width	Shipping Weight
Black Powder	White Powder		
BLRS250-12B	BLRS250-12W	12"	24 Lbs
BLRS250-18B	BLRS250-18W	18"	28 Lbs
BLRS250-24B	BLRS250-24W	24"	32 Lbs

*Extended lead times for White (6-8 Weeks ARO)

UL Classified/Telco Style Cable Runway

UL Classified/Telco style cable runway. The maximum load capacity when supported every 5' with minimal deflection is 132 Lbs/ft. Welded steel tubing construction, individually boxed.

- Overall length = 10'
- Side stringer = 1.5" x 0.375" x 0.065"
- Cross member = 0.5" x 1" x 0.065" welded at 9" intervals
- Available in black (B) or white (W) powder coated finish*



Part Number		Width	Shipping Weight
Black Powder	White Powder		
BLRT252-12B	BLRT252-12W	12"	24 Lbs
BLRT252-18B	BLRT252-18W	18"	26 Lbs
BLRT252-24B	BLRT252-24W	24"	28 Lbs

*Extended lead times for White (6-8 Weeks ARO)

Cable Runway Radius Bend - UL Classified

Creates a gradual bend for cascading cable runs.

- Made of 1.5" x 0.375" tubular steel
- Three cross members welded at approximately 23° increments
- Cable runway radius can be used for outside or inside bend
- Compatible with all Belden Cable Runway
- Available in black powder (B) or white (W) powder coated finish*



Part Number		Width	Shipping Weight
Black Powder	White Powder		
BLOR723-12B	BLOR723-12W	12"	4 Lbs
BLOR723-18B	BLOR723-18W	18"	5 Lbs
BLOR723-24B	BLOR723-24W	24"	6 Lbs

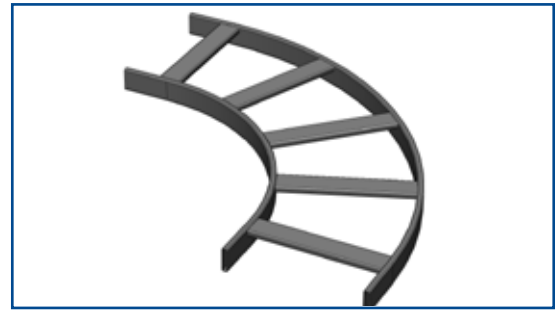
*Extended lead times for White (6-8 Weeks ARO)



Cable Runway E-Bend - UL Classified

Creates a 90° gradual sweep in horizontal plane for cable runway runs. Designed for cabling in conformance with minimum bend radius requirements (typically four times the cable diameter). Made of lightweight 1.5" x 0.375" tubular steel to fit standard cable runway.

- Cross members welded at approximately 23° increments
- Compatible with all Belden Cable Runway
- Conforms to Category 5e/6/6A requirements
- Available in black powder (B) or white (W) powder coated finish*



Part Number		Width	Shipping Weight
Black Powder	White Powder		
BLEB822-12B	BLEB822-12W	12"	12 Lbs
BLEB822-18B	BLEB822-18W	18"	19 Lbs
BLEB822-24B	BLEB822-24W	24"	27 Lbs

*Extended lead times for White (6-8 Weeks ARO)

Cable Runway Wall to Rack Kit

The Belden cable runway Wall to Rack Kit is a one-part-number solution that provides support for cable between the rack and the wall.

Kit consists of:

- (Qty = 1) 54" cable runway (**BLRS250 UL Classified**)
- (Qty = 1) Wall angle support bracket
- (Qty = 1) Rack to runway mounting plate
- (Qty = 1) Pair of end caps
- (Qty = 3) J-bolt kits (**BLJBK-001**)
- Available in black powder (B)



Part Number	Description	Shipping Weight
Compatible with 3" wide upright equipment rack		
BLRW250-12B	12" Wall to Rack Kit	19 Lbs

Wall Angle Support Kit, Cable Runway

2" x 2" x 3/16" (7 Gauge) steel support angle is designed for wall-mounting specific widths of cable runway.

Kit consists of:

- (Qty = 1) wall angle
- (Qty = 2) 3/16"-18 x 2.25" J-bolts
- (Qty = 2) 3/16"-18 hex nuts
- (Qty = 2) 3/16" lock washers
- Available in black powder (B)



Part Number	Width	Shipping Weight
BLWAS421-12B	12"	3 Lbs
BLWAS421-18B	18"	5 Lbs
BLWAS421-24B	24"	6 Lbs

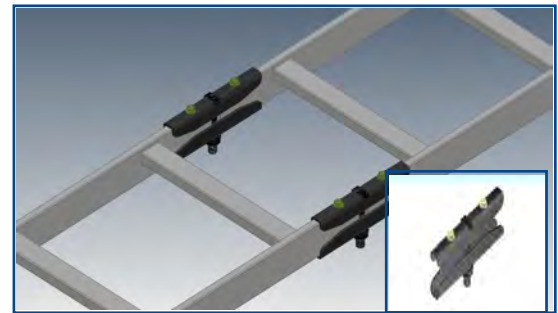


Butt-Splice Kit - UL Classified

Connect two sections of runway end-to-end. Fits both solid and tubular steel 1.5" x 0.375". Feature Belden patent pending quick bonding system.

Kit consists of:

- (Qty = 4) splice plates
- (Qty = 4) 10-32 x 1/2 Grounding Screws
- (Qty = 2) 3/8"-16 trimmed head bolts
- (Qty = 2) 3/8"-16 hex nuts
- Available in available in black zinc finish (B)



Part Number	Description	Shipping Weight
Black Zinc		
BLBSU301-15B	1.5" x 0.375" (for Universal and Telco style)	1 Lbs

Swivel Splice Kits - UL Classified

Splices cable runway vertically, horizontally or perpendicularly. Adjusts to any angle, not limited to 45° or 90°. Features Belden patent pending quick bonding system. Flexible swivel design simplifies cable runway installation by making it easier to route around existing plumbing, electrical, etc. Steel material. Hardware and instructions are included.

Butt-Swivel (487) Kit consists of:

- (Qty = 8) bracket ends
- (Qty = 8) 5/16"-18 x 0.75" round head square, neck bolts
- (Qty = 2) 5/16"-18 x 1" round head square, neck bolts
- (Qty = 10) 5/16"-18 x 1" hex nuts, split lock washers
- (Qty = 4) 10-32 x 1/2 Grounding Screws
- Available in black zinc (B)

Junction-Swivel (488) Kit consists of:

- (Qty = 4) bracket ends
- (Qty = 2) bracket supports and plate clamps
- (Qty = 2) 5/16"-18 x 1" round head square, neck bolts
- (Qty = 8) 5/16"-18 x 0.75" round head square, neck bolts
- (Qty = 10) 5/16"-18 hex nut, split lock washers
- (Qty = 4) 10-32 x 1/2 Grounding Screws
- Available in black zinc (B)

Vertical-Swivel (489) Kit consists of:

- (Qty = 4) bracket ends
- (Qty = 2) bracket clamps and plate clamps
- (Qty = 2) 5/16"-18 x 1" round head, square neck bolts
- (Qty = 6) 5/16"-18 x 0.75" round head, square neck bolts
- (Qty = 8) 5/16"-18 hex nuts, split lock washers
- (Qty = 4) 10-32 x 1/2 Grounding Screws
- Available in black zinc (B)



Butt Swivel



Junction Swivel



Vertical Swivel

Part Number	Description	Shipping Weight
BLBSS487-0UB	UL Classified Butt-Swivel Splice Kit	1 Lbs
BLBSS488-0UB	UL Classified Junction-Swivel Splice Kit	1 Lbs
BLVBS489-0UB	UL Classified Vertical-Swivel Splice Kit	1 Lbs



Junction-Splice Kit - UL Classified

Used to create a 90° junction splice with all types of 1.5" x 0.375" cable runway. Feature Belden patent pending quick bonding system

Kit consists of:

- (Qty = 4) corner clamp plates
- (Qty = 2) 3/8"-16 x 1.25" long trimmed head bolts
- (Qty = 4) 10-32 x 1/2" Grounding Screw
- (Qty = 2) 3/8"-16 hex nuts
- (Qty = 2) 3/8" split lock washers
- Available in black zinc (B)

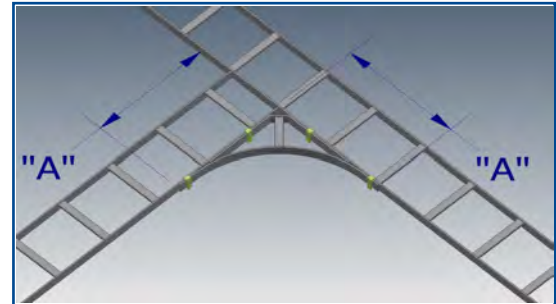


Part Number	Width	Shipping Weight
BLJSU302-15B	UL Classified Junction Kit 1.5" x 0.375" Stringer	1 Lbs

Cable Runway Corner Bracket

Creates a radius for 90° intersection of cable runway formed when two or more pieces of cable runway are connected together with the Junction-Splice Kit (**BLJSU302-15B**).

- Single-piece welded assembly fabricated from 0.375" x 1.5" x 0.065" wall rectangular steel tubing
- Easy installation; brackets/hardware included
- Available in black powder (B) or white (W) powder coated finish*



DIM	BLCSB959-15B	BLCSB959-24B
A	15"	24"

Part Number		Description	Shipping Weight
Black Powder	White Powder		
BLCSB959-15B	BLCSB959-15W	15" Corner Bracket	4 Lbs
BLCSB959-24B	BLCSB959-24W	24" Corner Bracket	6 Lbs

*Extended lead times for White (6-8 Weeks ARO)

Triangular Support Bracket, Aluminum

Provides wall support for cable runway. Made of 0.25" x 2" aluminum bar. Load rating is 100 Lbs.

Kit consists of:

- (Qty = 1) triangular bracket
- (Qty = 2) 5/16"-18 x 2.25" J-bolts
- (Qty = 2) 5/16"-18 hex nuts & split washers
- Available in black powder (B)



Part Number	Width	Shipping Weight
BLTSB312-12B	6" to 12"	3 Lbs
BLTSB312-18B	12" to 18"	3 Lbs



Triangular Support Bracket, Steel

Provides wall support for cable runway. Made of cold-rolled steel. Load rating is 400 Lbs.

Kit consists of:

- (Qty = 1) vertical wall-mounting bracket
- (Qty = 1) runway support channel
- (Qty = 1) angle support channel
- (Qty = 3) clevis pins (5/16" diameter) & cotter pins
- (Qty = 2) 5/16"-18 x 2.25" J-bolts
- (Qty = 2) 5/16"-18 x hex nuts & split washers
- Available in black powder (B)



Part Number	Width	Shipping Weight
BLTSB746-12B	6" to 12"	5 Lbs
BLTSB746-18B	18"	8 Lbs
BLTSB746-24B	24"	9 Lbs

3" Channel Rack-to-Runway Mounting Plate

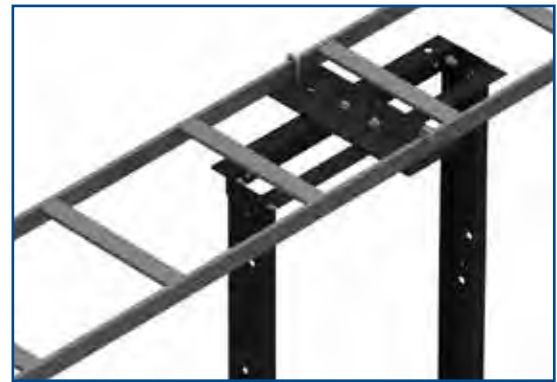
Secures cable runway to the top of standard rack and universal rack. Mounts either parallel or perpendicular.

- Material is 11 gauge steel

Installation best practice includes Runway Elevation Kit.

Kit consists of:

- (Qty = 1) mounting plate
- (Qty = 4) 5/16"-18 x 2.25" J-bolts
- (Qty = 4) 5/16"-18 hex nuts
- (Qty = 4) 5/16" split lock washer
- Available in black powder (B)



Part Number	Width	Shipping Weight
BLRTR595-9B	9" - 12"	3 Lbs
BLRTR595-15B	15" - 18"	4 Lbs

Cable Runway Standoff Support Kit

Allows the attachment of cable runway 12" directly above and either parallel or perpendicular to existing cable runway. Each kit consists of the following items: two steel angle pieces, four steel brackets and eight sets of nuts, bolts and washers. The angle pieces are black powder coat.



Part Number	Description	Shipping Weight
BLRSS470-12B	12" Standoff Support Kit	1 Lbs



Cable Runway Elevation Kit

Supports cable runway above a continuous row of two and four post racks or cabinets of varying heights, and provides additional space between the tops of the racks or cabinets and the cable runway, which can create smoother cable transitions.

- Three ranges of incremental elevation
- Can be mounted perpendicular or parallel
- Rack kit includes a single pair of brackets and assembly hardware
- Rack kits attach to the top of the rack with a Rack-to-Runway Mounting Plate (**BLRTR595-9B, -15B**), sold separately
- Cabinet kits include two pairs of brackets and assembly hardware
- Cabinet kits attach directly to the top of the cabinet
- Available in black powder (B)



Rack	Shipping Weight	Cabinet	Shipping Weight
2", 2.5", 3" Elevation			
BLREK506-02B	2 Lbs	BLREK506-12B	2 Lbs
4", 5", 6" Elevation			
BLREK506-04B	2.4 Lbs	BLREK506-16B	2.4 Lbs
10", 11", 12" Elevation			
BLREK506-10B	3 Lbs	BLREK506-18B	3 Lbs

Retaining Post For Cable

The retaining post is compatible with all Belden cable runways and allow for extra cable routing capacity.

Kit consists of:

- (Qty = 1) Post, bracket, and end cap
- (Qty = 1) 1/4" -20 x 1.25" hex cap screw, split lock washer and hex nut
- Available in black powder (B)



Part Number	Description	Shipping Weight
BLCRP596-06B	Cable Retaining Post, 6", Qty = 1	1 Lbs
BLCRP596-56B	Cable Retaining Post, 6", Qty = 50	29 Lbs

Cable Runway Foot Kit

To attach and secure Belden Cable Runway to a wall or floor. Foot made of 3/8" x 1-1/2" x 6"H (9.53 mm x 38 mm x 150 mm) steel.

Kit consists of:

- (Qty = 2) Cable Rack Feet
- (Qty = 4) Splice plates
- (Qty = 2 each) 3/8-16 x 2-1/4" trimmed round head square neck bolts; 3/8-16 hex nuts; 3/8-16 lock washers
- Available in black powder (B)



Part Number	Description	Shipping Weight
BLFK309-01B	Foot Kit, 6"H	4 Lbs

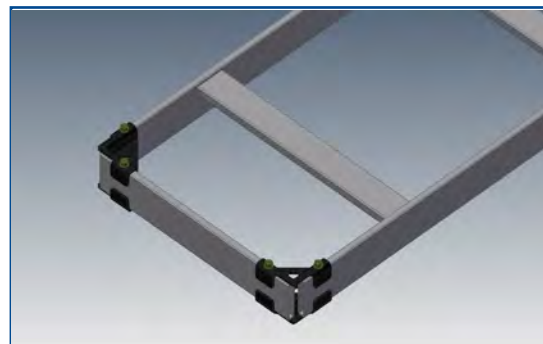


Cable Runway Closing Kit - UL Classified

The cable runway closing kit is used to close the end of a runway. Compatible with all Belden cable runways.

Kit consists of:

- (Qty = 1) end closing bar - (B) Black powder; (W) White Powder
- (Qty = 4) corner clamp plates - (B) Black zinc; (W) Gold Zinc
- (Qty = 4) 1/4-20 x 1/2" Grounding Screws
- (Qty = 2) 3/8"-16 x 1.25" long trimmed head bolts
- (Qty = 2) 3/8"-16 hex nuts
- (Qty = 2) 3/8" split lock washers



Part Number		Width	Shipping Weight
Black Powder/Black Zinc	White Powder/Gold Zinc		
BLCKE700-12B	BLCKE700-12W	12"	3 Lbs
BLCKE700-18B	BLCKE700-18W	18"	4 Lbs
BLCKE700-24B	BLCKE700-24W	24"	5 Lbs

*Extended lead times for White (6-8 Weeks ARO)

Cable Runway End Cap

Covers, protect exposed end of runway. Compatible with all Belden cable runways.

Kit consists of:

- (Qty = 2) end CAP



Part Number	Description (Used With)	Shipping Weight
BLPEC642-002	Protective End Caps for 1.5" X 0.375" Stringer (Pair)	1 Lbs

Vertical Wall Brackets

Used to secure Cable Runway with 1.5" x 3/8" stringers to a wall. Sold in pairs.

- Wall mounting hardware not included
- Available in black powder (B)



Part Number	Description	Shipping Weight
BLVWB608-00B	Vertical Wall Bracket, Pair	1 Lbs



Runway Center Support Kit

Used to attach cable runway to auxiliary framing.

Kit consists of:

- (Qty = 1) support bracket
- (Qty = 1) reinforcement bar
- (Qty = 2) 5/8"-11 hex nuts
- (Qty = 1) 5/8"-11 split lock washers
- (Qty = 1) 12"L threaded rod cover (BLTRC085)
- (Qty = 1) J-bolt kit (2 J-bolts; 2 nuts; 2 washers)
- Available in black powder (B)



Note: Kit does not include threaded rod

Part Number	Description	Shipping Weight
BLCSK362-12B	Center Support Kit, Cable Runway, 12"	3 Lbs
BLCSK362-18B	Center Support Kit, Cable Runway, 18"	4 Lbs
BLCSK362-24B	Center Support Kit, Cable Runway, 24"	5 Lbs

Ceiling Attachment Kit

The ceiling attachment kit is used to suspend the runway from the ceiling. Made of steel.

Kit consists of:

- (Qty = 1) ceiling bracket - Black powder finish
- (Qty = 1) 3/8"-16 x 6' or 5/8"-11 x 6' rod - Gold zinc
- (Qty = 1) Support bracket is compatible with all Belden cable runway - Black powder finish
- (Qty = 4) 3/8"-16 or 5/8"-11 hex nuts

Note: The recommended spacing between the ceiling attachment kit is 5'. The ceiling hole diameter is 0.375" for 0.375" rod kit and 0.500" for 0.625" kit

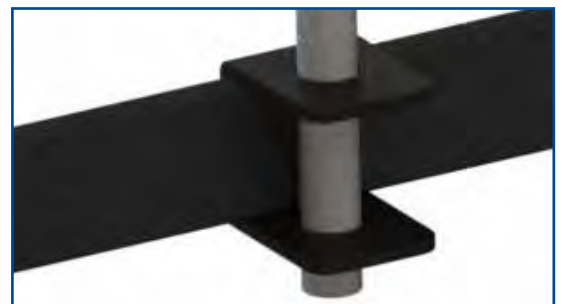


Part Number	Description	Shipping Weight
BLTCK310-38	Ceiling Attachment Kit 3/8" Rod	3 Lbs
BLTCK310-58	Ceiling Attachment Kit 5/8" Rod	7 Lbs

Support Bracket For Runway

Used to secure threaded rod to runway.

- Available in black powder (B)



Part Number	Description	Shipping Weight
BLRSB408-038B	Runway Support Bracket for 3/8" Rod	0.1 Lbs
BLRSB408-058B	Runway Support Bracket for 5/8" Rod	0.1 Lbs



Ceiling Support Bracket

Used to secure threaded rod to ceiling.

- Available in black powder (B)
- Note: hardware not included



Part Number	Description	Shipping Weight
BLCSB406-038B	Ceiling Support Bracket for 3/8" Rod	1 Lbs
BLCSB406-058B	Ceiling Support Bracket for 5/8" Rod	1 Lbs

Threaded Rods Cover

Use to cover threaded rods and protect cables

- Black plastic tubing, ID = 0.630"



Part Number	Description	Shipping Weight
BLTRC085-010	Threaded Rod Cover, 10' Long	5 Lbs

Cable Runway Radius Drop

Mounts to the side stringer or cross member of cable runway to help maintain proper Category 5e/6/6A or fiber bend radius.

- Quick and easy installation
- Cross member radius drop (**BLRRD100-XXX**) fits 12" and 18" W cross member tubing on Universal Runway (Series 250)
- Stringer Radius Drop (**BLRRD101-12B**) attaches to the side of the runway
- Provides 3" bend radius
- Available in black powder (B)



Runway Radius Drop, Cross Member			
Part Number	Cable Runway Width	Product Width	Cable Spools
BLRRD100-12B	12"	11"	3 ea.
BLRRD100-18B	18"	17"	3 ea.

Runway Radius Drop, Stringer			
Part Number	Cable Runway Width	Product Width	Cable Spools
BLRRD101-12B	Telco	8"	2 ea.



Cable Spool Divider Kit

Separates cables for improved cable management. Bracket is mounted to cross sections anywhere you like from left to right. Kit includes 5 units. Cable spool is 4" tall made of plastic; bracket is made of steel.

- Available in black powder (B)



Part Number	Used With	Qty/Kit
BLDU-05B	Universal Style 250 Runway	5 pcs
BLDT-05B	Telco Style 252 Runway	5 pcs

J-Bolt Kit, Auxiliary Framing Channel/Rack Top Bar

Used to attach a 2" x 1" auxiliary framing channel to a 1.5" equipment rack top bar.

- Gold over zinc plating
- Kit consists of:
- (Qty = 1) 1/4" x 1" x 3.5" cold-rolled steel plate
- (Qty = 2) 5/16"-18 x 3.25" J-bolts
- (Qty = 2) 5/16"-18 hex nuts and split lock washers



Part Number	Description	Shipping Weight
BLJBK-002	J-Bolt Kit	1 Lbs

J-Bolt Kit, Auxiliary Framing Channel/Wall Angle Support

Used to attach a 2" x 1" auxiliary framing channel to a wall angle support.

- Gold over zinc plating
- Kit consists of two each:
- 1/4"-20 x 1.75" J-bolts
- 1/4"-20 hex nuts
- 1/4" split lock washers

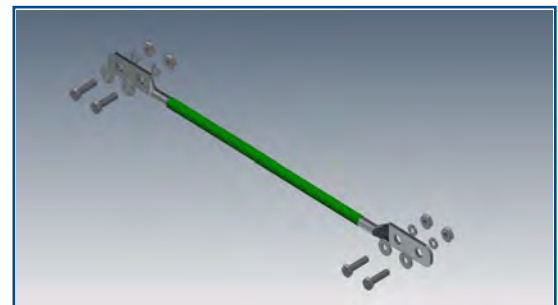


Part Number	Description	Shipping Weight
BLJBK-001	J-Bolt Kit	1 Lbs

Cable Runway Bonding Strap Kit - UL Listed

Cable Runway Bonding Strap Kits provide a ground pathway between cable runway lengths when fastened together across splices.

- Kit consists of:
- (Qty = 1) 12" Grounding Strap
- (Qty = 4) 1/4" Stainless Steel Lock Washers
- (Qty = 4) 1/4" Stainless Steel Hex Bolts
- (Qty = 4) 1/4" Stainless Steel Flat Washer
- (Qty = 4) 1/4" Stainless Steel Hex Nuts



Part Number	Description	Shipping Weight
BLRGW250-11G	Bonding Strap Kit - 12"	1 Lbs

© Copyright 2018, Belden Inc.
Ladder Rack Runways And Accessories