

6

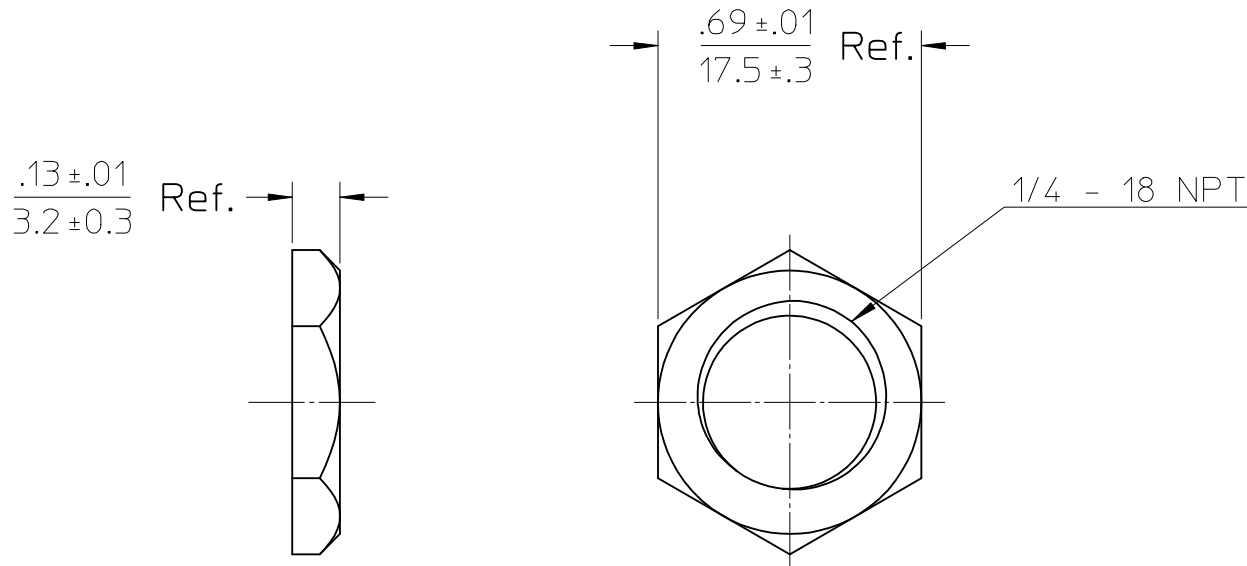
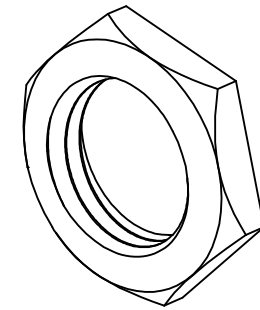
5

4

3

2

1



NOTE :

1. LOCKNUT MUST HAVE 1 1/2 THREADS MINIMUM.

MATERIAL No.	OLD P/N	MATERIAL
1300990141	5599	STEEL ZINC PLATED

2009/07/08

ENTER DESCRIPTION EC NO: WNA2009-0773 DRW:NKUMAR01 2009/05/28 CHKD: APPR:JFMURPHY	QUALITY SYMBOLS ▽=0 C=0	GENERAL TOLERANCES (UNLESS SPECIFIED)		DIMENSION STYLE IN/MM		SCALE 2:1	DESIGN UNITS INCH	THIRD ANGLE PROJECTION	
			mm	INCH	DRAWN BY NKUMAR01	DATE 28/05/09	TITLE LOCKNUT - 1/4 MAX-LOC USE30-1233LOCKNUT		
A	REV	4 PLACES	± ---	± ---	CHECKED BY BWOODMAN	DATE 28/05/09	MOLEX INCORPORATED		
		3 PLACES	± ---	± ---	APPROVED BY JFMURPHY	DATE 28/05/09			
		2 PLACES	± ---	± 0.010	MATERIAL NO. SEE CHART		DOCUMENT NO. SD-130099-141	SHEET NO. 1 OF 1	
		1 PLACE	± 0.3	± ---	THIS DRAWING CONTAINS INFORMATION THAT IS PROPRIETARY TO MOLEX INCORPORATED AND SHOULD NOT BE USED WITHOUT WRITTEN PERMISSION				
		ANGULAR ±1/2°		DRAFT WHERE APPLICABLE MUST REMAIN WITHIN DIMENSIONS					

5

4

3

2

1

6

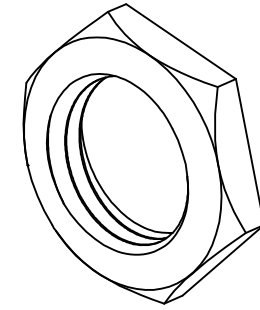
5

4

3

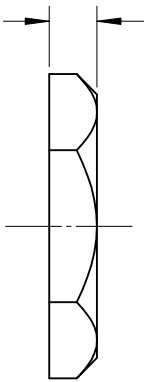
2

1



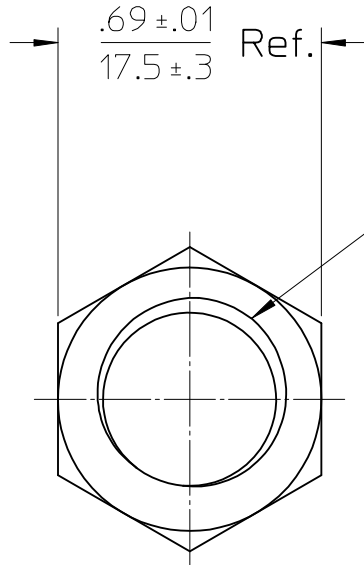
$$\frac{.13 \pm .01}{3.2 \pm 0.3}$$

Ref.



$$\frac{.69 \pm .01}{17.5 \pm .3}$$

Ref.



1/4 - 18 NPT

NOTE :

1. LOCKNUT MUST HAVE 1 1/2 THREADS MINIMUM.

MATERIAL No.	OLD P/N	MATERIAL
1300990141	5599	STEEL ZINC PLATED

2009/07/08

<b>ENTER DESCRIPTION</b> EC NO: WNA2009-0773 DRW:NKUMAR01 2009/05/28 CHKD: APPR:JFMURPHY	<b>QUALITY SYMBOLS</b>  	<b>GENERAL TOLERANCES (UNLESS SPECIFIED)</b>		<b>DIMENSION STYLE</b> <b>IN/MM</b>		<b>SCALE</b> <b>2:1</b>	<b>DESIGN UNITS</b> <b>INCH</b>	<b>THIRD ANGLE PROJECTION</b>	
		4 PLACES	± ---	± ---	DRAWN BY NKUMAR01	DATE 28/05/09	<b>LOCKNUT - 1/4 MAX-LOC</b> <b>USE30-1233LOCKNUT</b>		
		3 PLACES	± ---	± ---	CHECKED BY BWOODMAN	DATE 28/05/09			
		2 PLACES	± ---	± 0.010	APPROVED BY JFMURPHY	DATE 28/05/09	<b>MOLEX INCORPORATED</b>		
		1 PLACE	± 0.3	± ---	MATERIAL NO. <b>SEE CHART</b>				
<b>DRAFT WHERE APPLICABLE MUST REMAIN WITHIN DIMENSIONS</b>		ANGULAR ±1/2°		<b>THIS DRAWING CONTAINS INFORMATION THAT IS PROPRIETARY TO MOLEX INCORPORATED AND SHOULD NOT BE USED WITHOUT WRITTEN PERMISSION</b>					

5

4

3

2

1