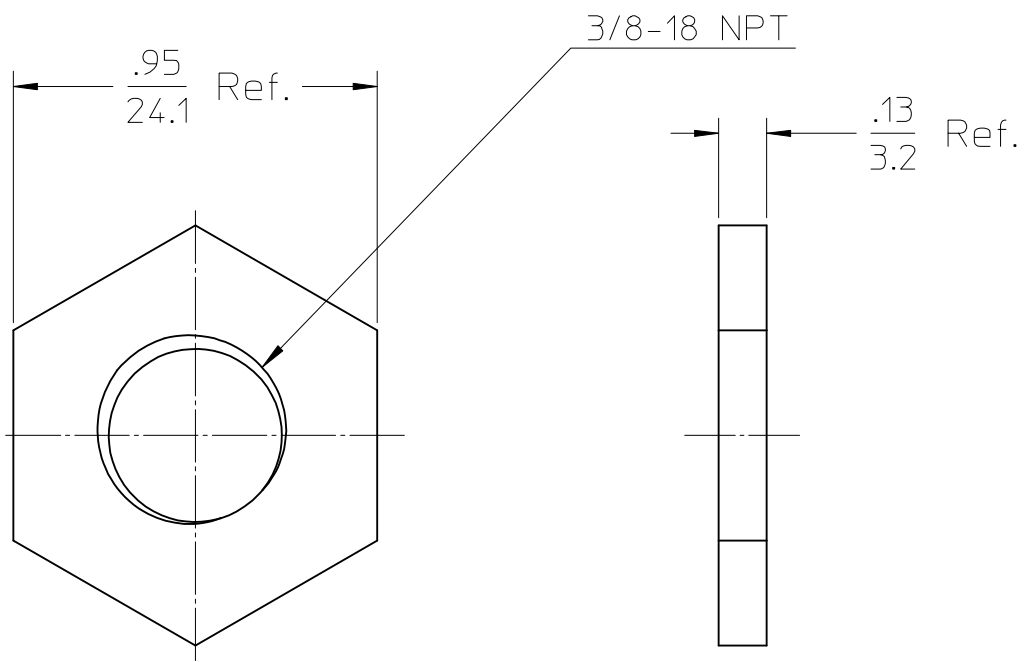
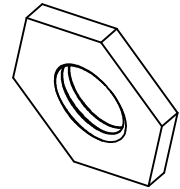


MATERIAL No.	OLD P/N	MATERIAL
1300990142	5600	STEEL ZINC PLATED

ENTER DESCRIPTION EC NO: WNA2009-0773 2009/06/01 NKUMAR01 CHKD: NKUMAR01 APPR: JFMURPHY 2009/07/08 DESCRIPTION	QUALITY SYMBOLS	GENERAL TOLERANCES (UNLESS SPECIFIED)		DIMENSION STYLE IN/MM		SCALE 2:1	DESIGN UNITS INCH	THIRD ANGLE PROJECTION
	$\blacktriangledown = 0$ $\nabla C = 0$	mm	INCH	DRAWN BY NKUMAR01	DATE 02/06/09	TITLE LOCKNUT - 3/8 MAX-LOC USE30-2054LOCKNUT		
		4 PLACES $\pm$ ---	$\pm$ ---	CHECKED BY BWOODMAN	DATE 02/06/09			
		3 PLACES $\pm$ ---	$\pm$ ---	APPROVED BY JFMURPHY	DATE 02/06/09	MOLEX INCORPORATED DOCUMENT NO. SD-130099-142		
	2 PLACES $\pm$ ---	$\pm 0.010$	MATERIAL NO. 1300990142		SHEET NO. 1 OF 1			
	1 PLACE $\pm 0.3$	$\pm$ ---	ANGULAR $\pm 1/2^\circ$		THIS DRAWING CONTAINS INFORMATION THAT IS PROPRIETARY TO MOLEX INCORPORATED AND SHOULD NOT BE USED WITHOUT WRITTEN PERMISSION			
		DRAFT WHERE APPLICABLE MUST REMAIN WITHIN DIMENSIONS						



MATERIAL No.	OLD P/N	MATERIAL
1300990142	5600	STEEL ZINC PLATED

ENTER DESCRIPTION EC NO: WNA2009-0773 2009/06/10 NKUMAR01 CHKD: NKUMAR01 APPR: JFMURPHY 2009/07/08 DESCRIPTION	QUALITY SYMBOLS	GENERAL TOLERANCES (UNLESS SPECIFIED)		DIMENSION STYLE IN/MM		SCALE 2:1	DESIGN UNITS INCH	THIRD ANGLE PROJECTION	
	$\blacktriangledown = 0$ $\nabla C = 0$		mm	INCH	DRAWN BY NKUMAR01	DATE 02/06/09	LOCKNUT - 3/8 MAX-LOC USE30-2054LOCKNUT		
		4 PLACES	± ---	± ---	CHECKED BY BWOODMAN	DATE 02/06/09			
		3 PLACES	± ---	± ---	APPROVED BY JFMURPHY	DATE 02/06/09	MOLEX INCORPORATED DOCUMENT NO. SD-130099-142		
	2 PLACES	± ---	± 0.010	MATERIAL NO. 1300990142		SHEET NO. 1 OF 1			
	1 PLACE	± 0.3	± ---	ANGULAR ±1/2°		THIS DRAWING CONTAINS INFORMATION THAT IS PROPRIETARY TO MOLEX INCORPORATED AND SHOULD NOT BE USED WITHOUT WRITTEN PERMISSION			
DRAFT WHERE APPLICABLE MUST REMAIN WITHIN DIMENSIONS									