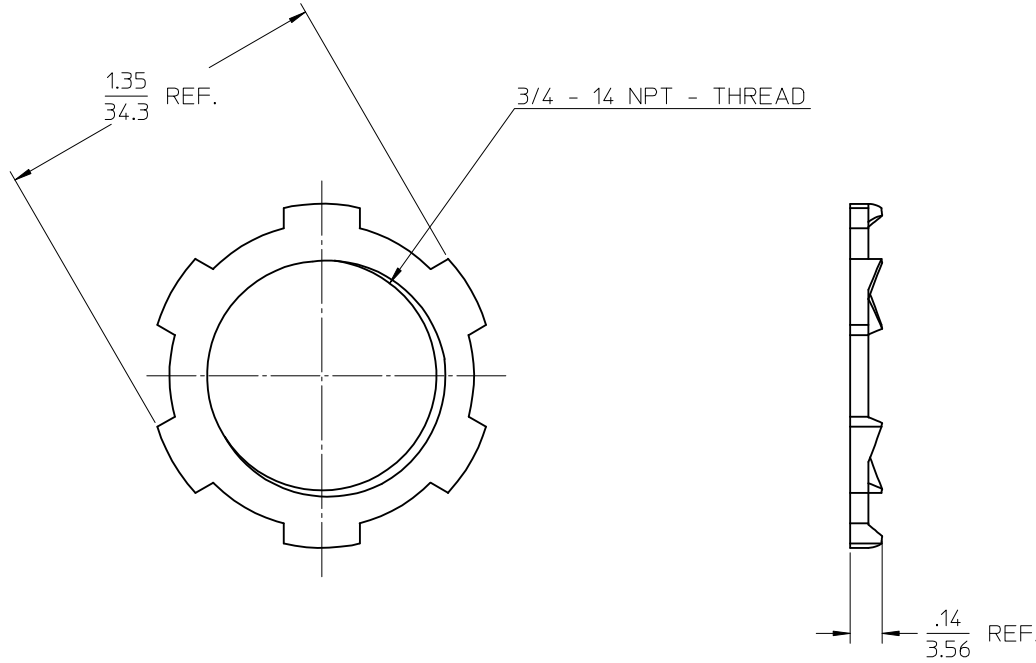
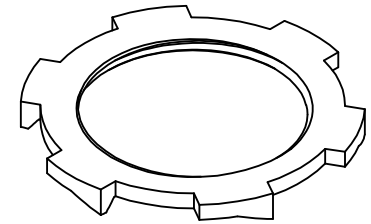


MATERIAL NO.	OLD PART NUMBER	MATERIAL
1300990144	5602	STEEL ZINC PLATED



RELEASED EC NO: WNA2009-0850 DRWN: SGARCIA 2009/07/01 CHKD: B. WOODMAN APPR: JF MURPHY 2009/07/08	QUALITY SYMBOLS	GENERAL TOLERANCES (UNLESS SPECIFIED)	DIMENSION STYLE	SCALE	DESIGN UNITS	THIRD ANGLE PROJECTION
	=0 =0	mm	INCH	IN/MM	2:1	INCH
		4 PLACES ± ---	± ---	DRAWN BY DATE	TITLE	
	1	DESCRIPTION	ANGULAR ±1/2°	S. GARCIA 2009/06/18	3/4" LOCKNUT	
		DRAFT WHERE APPLICABLE MUST REMAIN WITHIN DIMENSIONS	CHECKED BY DATE	MOLEX INCORPORATED		
			B. WOODMAN 2009/06/18	DOCUMENT NO. SD-130099-144		
			APPROVED BY DATE	SHEET NO. 1 OF 1		
			JF MURPHY 2009/06/18	THIS DRAWING CONTAINS INFORMATION THAT IS PROPRIETARY TO MOLEX INCORPORATED AND SHOULD NOT BE USED WITHOUT WRITTEN PERMISSION		