

NBC-PP-G1PGY - DIN rail adapter



1041740

<https://www.phoenixcontact.com/us/products/1041740>

Please be informed that the data shown in this PDF document is generated from our online catalog. Please find the complete data in the user documentation. Our general terms of use for downloads are valid.



DIN rail adapter, design: Headers with shielding, degree of protection: IP20, material: PC-GF10, connection method: Quick connection, without assembled modules

Product description

Compact DIN rail adapter with optional overall shielding braid, with dust protection cover, one-piece design

Your advantages

- Compact design
- For distributing copper and fiber optic cabling
- Front release without special tool
- Assembly without special tools

Commercial data

Item number	1041740
Packing unit	1 pc
Minimum order quantity	1 pc
Sales key	AB18
Product key	ABNLAA
Catalog page	Page 375 (C-2-2019)
GTIN	4055626598666
Weight per piece (including packing)	29.5 g
Weight per piece (excluding packing)	29.4 g
Customs tariff number	85366990
Country of origin	DE

NBC-PP-G1PGY - DIN rail adapter

1041740

<https://www.phoenixcontact.com/us/products/1041740>

Technical data

Notes

General	without assembled modules
---------	---------------------------

Product properties

Product type	Patch panel
Set comprises	1100077 NBC-PP-J1PGY-S/R4IDC8
Number of module slots	1
Number of slots	1

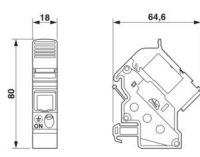
Electrical properties

Contact resistance per contact pair	$\leq 5 \text{ m}\Omega$
Contact resistance	$\leq 5 \text{ m}\Omega$ (Shield-ground, optional)

Connection data

Connection method	Quick connection
-------------------	------------------

Dimensions

Dimensional drawing	
Width	18 mm
Height	80 mm
Depth	64.6 mm

Material specifications

Material	PP
Flammability rating according to UL 94	V0
Housing material	PC-GF10
Contact material	CuSn6
Contact surface material	Tin

Environmental and real-life conditions

Ambient conditions

Degree of protection	IP20
	IP20
Ambient temperature (operation)	-10 °C ... 60 °C

Mounting

Mounting type	DIN rail mounting
---------------	-------------------

NBC-PP-G1PGY - DIN rail adapter



1041740

<https://www.phoenixcontact.com/us/products/1041740>

Assembly instructions

Dust cover not compatible with FO module inserts

NBC-PP-G1PGY - DIN rail adapter

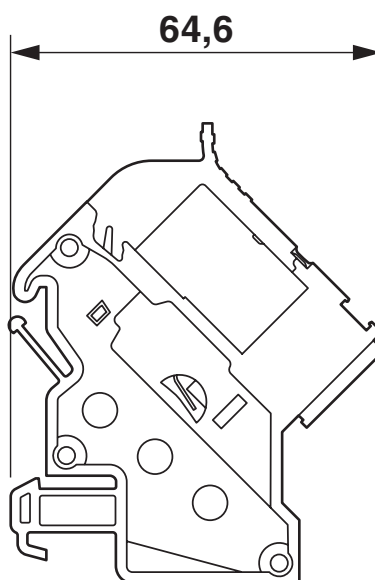
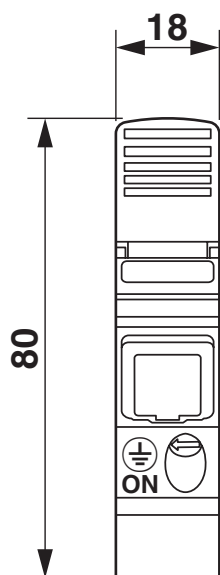
1041740

<https://www.phoenixcontact.com/us/products/1041740>



Drawings

Dimensional drawing



NBC-PP-G1PGY - DIN rail adapter



1041740

<https://www.phoenixcontact.com/us/products/1041740>

Classifications

ECLASS

ECLASS-11.0	19170112
ECLASS-12.0	19170112
ECLASS-13.0	19170112

ETIM

ETIM 9.0	EC002697
----------	----------

UNSPSC

UNSPSC 21.0	26121600
-------------	----------

NBC-PP-G1PGY - DIN rail adapter



1041740

<https://www.phoenixcontact.com/us/products/1041740>

Environmental product compliance

EU RoHS

Fulfills EU RoHS substance requirements	Yes, No exemptions
---	--------------------

China RoHS

Environment friendly use period (EFUP)	EFUP-E
	No hazardous substances above the limits

EU REACH SVHC

REACH candidate substance (CAS No.)	No substance above 0.1 wt%
-------------------------------------	----------------------------

NBC-PP-G1PGY - DIN rail adapter



1041740

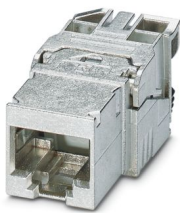
<https://www.phoenixcontact.com/us/products/1041740>

Mandatory accessories

CUC-I-J1ZNI-S/R4IDC8 - RJ45 jack insert

1417274

<https://www.phoenixcontact.com/us/products/1417274>



RJ45 jack insert, design: RJ45, degree of protection: IP20, number of positions: 8, 10 Gbps, CAT6_A, material: Metal, connection method: IDC connection, connection cross section: AWG 26- 22, cable outlet: straight, Adapter-free design, Ethernet

CUC-I-D1ZNI-S/R4GC8 - RJ45 coupling

1041760

<https://www.phoenixcontact.com/us/products/1041760>



RJ45 coupling, degree of protection: IP20, number of positions: 8, 10 Gbps, CAT6_A, material: Metal, connection method: Coupling, cable outlet: straight, Adapter-free design, Ethernet

NBC-PP-G1PGY - DIN rail adapter

1041740

<https://www.phoenixcontact.com/us/products/1041740>



FOC-I-D1PGN-S/LCGCSM - Fiber optic coupling

1041780

<https://www.phoenixcontact.com/us/products/1041780>



Fiber optic coupling, design: LC, degree of protection: IP20, number of positions: 2, material: Plastic, connection method: Coupling, cable outlet: straight

FOC-I-D1PGR-S/SCGCSM - Fiber optic coupling

1041800

<https://www.phoenixcontact.com/us/products/1041800>



Fiber optic coupling, design: SC, degree of protection: IP20, number of positions: 2, material: Plastic, connection method: Coupling, cable outlet: straight

NBC-PP-G1PGY - DIN rail adapter

1041740

<https://www.phoenixcontact.com/us/products/1041740>



FOC-I-D1PGY-S/MPAGC - Fiber optic coupling

1041820

<https://www.phoenixcontact.com/us/products/1041820>



Fiber optic coupling, degree of protection: IP20, number of positions: 2, material: Plastic, connection method: Coupling, cable outlet: straight, Ethernet

FOC-I-D1PGY-S/MPBGC - Fiber optic coupling

1041840

<https://www.phoenixcontact.com/us/products/1041840>



Fiber optic coupling, degree of protection: IP20, number of positions: 2, material: Plastic, connection method: Coupling, cable outlet: straight, Ethernet

Accessories

NBC-PP-G1PGY - DIN rail adapter

1041740

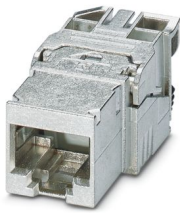
<https://www.phoenixcontact.com/us/products/1041740>



CUC-I-J1ZNI-S/R4IDC8 - RJ45 jack insert

1417274

<https://www.phoenixcontact.com/us/products/1417274>



RJ45 jack insert, design: RJ45, degree of protection: IP20, number of positions: 8, 10 Gbps, CAT6_A, material: Metal, connection method: IDC connection, connection cross section: AWG 26- 22, cable outlet: straight, Adapter-free design, Ethernet

CUC-I-D1ZNI-S/R4GC8 - RJ45 coupling

1041760

<https://www.phoenixcontact.com/us/products/1041760>



RJ45 coupling, degree of protection: IP20, number of positions: 8, 10 Gbps, CAT6_A, material: Metal, connection method: Coupling, cable outlet: straight, Adapter-free design, Ethernet

NBC-PP-G1PGY - DIN rail adapter

1041740

<https://www.phoenixcontact.com/us/products/1041740>



FOC-I-D1PGY-S/MPAGC - Fiber optic coupling

1041820

<https://www.phoenixcontact.com/us/products/1041820>



Fiber optic coupling, degree of protection: IP20, number of positions: 2, material: Plastic, connection method: Coupling, cable outlet: straight, Ethernet

FOC-I-D1PGY-S/MPBGC - Fiber optic coupling

1041840

<https://www.phoenixcontact.com/us/products/1041840>



Fiber optic coupling, degree of protection: IP20, number of positions: 2, material: Plastic, connection method: Coupling, cable outlet: straight, Ethernet

NBC-PP-G1PGY - DIN rail adapter

1041740

<https://www.phoenixcontact.com/us/products/1041740>



NBC-PP-P1PGY:10 - Dust protection cover

1041860

<https://www.phoenixcontact.com/us/products/1041860>

Dust protection cover



NBC-PP-F1PWH:10 - Plug Guard Security Frame

1041881

<https://www.phoenixcontact.com/us/products/1041881>

Plug Guard Security Frame



NBC-PP-G1PGY - DIN rail adapter

1041740

<https://www.phoenixcontact.com/us/products/1041740>



NBC-PP-A1PRD:10 - Port Guard Security Element

1041900

<https://www.phoenixcontact.com/us/products/1041900>



Port Guard Security Element

UC-TMF 16 - Marker for terminal blocks

0819262

<https://www.phoenixcontact.com/us/products/0819262>



Marker for terminal blocks, Sheet, white, unlabeled, can be labeled with: BLUEMARK ID COLOR, BLUEMARK ID, BLUEMARK CLED, PLOTMARK, CMS-P1-PLOTTER, mounting type: snapped, for terminal block width: 16 mm, lettering field size: 15.45 x 5.1 mm, Number of individual labels: 32

NBC-PP-G1PGY - DIN rail adapter

1041740

<https://www.phoenixcontact.com/us/products/1041740>



UC-TMF 16 CUS - Marker for terminal blocks

0824678

<https://www.phoenixcontact.com/us/products/0824678>



Marker for terminal blocks, can be ordered: by sheet, white, labeled according to customer specifications, mounting type: snap into flat marker groove, for terminal block width: 16 mm, lettering field size: 15.45 x 5.1 mm, Number of individual labels: 32

NS 35/ 7,5 PERF 1155MM - DIN rail perforated

1207666

<https://www.phoenixcontact.com/us/products/1207666>



DIN rail perforated, acc. to EN 60715, material: Steel, galvanized, passivated with a thick layer, Standard profile, color: silver

NBC-PP-G1PGY - DIN rail adapter

1041740

<https://www.phoenixcontact.com/us/products/1041740>



FL DIN RA - DIN rail adapter

2891053

<https://www.phoenixcontact.com/us/products/2891053>

The FL DIN RA is installed in a standard, 19-inch rack (EIA-310-D, IEC 60297-3-100) to allow DIN rail mounted equipment to be rack mounted.



FOC-I-D1PGN-S/LCGCSM - Fiber optic coupling

1041780

<https://www.phoenixcontact.com/us/products/1041780>

Fiber optic coupling, design: LC, degree of protection: IP20, number of positions: 2, material: Plastic, connection method: Coupling, cable outlet: straight



NBC-PP-G1PGY - DIN rail adapter

1041740

<https://www.phoenixcontact.com/us/products/1041740>



FOC-I-D1PGR-S/SCGCSM - Fiber optic coupling

1041800

<https://www.phoenixcontact.com/us/products/1041800>



Fiber optic coupling, design: SC, degree of protection: IP20, number of positions: 2, material: Plastic, connection method: Coupling, cable outlet: straight

UC-TMF 16 VT - Marker for terminal blocks

0822699

<https://www.phoenixcontact.com/us/products/0822699>



Marker for terminal blocks, Sheet, violet, unlabeled, can be labeled with: BLUEMARK ID COLOR, BLUEMARK ID, BLUEMARK CLED, PLOTMARK, CMS-P1-PLOTTER, mounting type: snap in, for terminal block width: 16 mm, lettering field size: 15.45 x 5.1 mm, Number of individual labels: 32

NBC-PP-G1PGY - DIN rail adapter

1041740

<https://www.phoenixcontact.com/us/products/1041740>



UC-TMF 16 YE - Marker for terminal blocks

0819259

<https://www.phoenixcontact.com/us/products/0819259>



Marker for terminal blocks, Sheet, yellow, unlabeled, can be labeled with: BLUEMARK ID COLOR, BLUEMARK ID, BLUEMARK CLED, PLOTMARK, CMS-P1-PLOTTER, mounting type: snapped, for terminal block width: 16 mm, lettering field size: 15.45 x 5.1 mm, Number of individual labels: 32

UC-TMF 16 RD CUS - Marker for terminal blocks

0824682

<https://www.phoenixcontact.com/us/products/0824682>



Marker for terminal blocks, can be ordered: by sheet, red, labeled according to customer specifications, mounting type: snap into flat marker groove, for terminal block width: 16 mm, lettering field size: 15.45 x 5.1 mm, Number of individual labels: 32

NBC-PP-G1PGY - DIN rail adapter

1041740

<https://www.phoenixcontact.com/us/products/1041740>



UC-TMF 16 GN - Marker for terminal blocks

0817921

<https://www.phoenixcontact.com/us/products/0817921>



Marker for terminal blocks, Sheet, green, unlabeled, can be labeled with: BLUEMARK ID COLOR, BLUEMARK ID, BLUEMARK CLED, PLOTMARK, CMS-P1-PLOTTER, mounting type: snapped, for terminal block width: 16 mm, lettering field size: 15.45 x 5.1 mm, Number of individual labels: 32

UC-TMF 16 BU CUS - Marker for terminal blocks

0824679

<https://www.phoenixcontact.com/us/products/0824679>



Marker for terminal blocks, can be ordered: by sheet, blue, labeled according to customer specifications, mounting type: snap into flat marker groove, for terminal block width: 16 mm, lettering field size: 15.45 x 5.1 mm, Number of individual labels: 32

NBC-PP-G1PGY - DIN rail adapter

1041740

<https://www.phoenixcontact.com/us/products/1041740>



UC-TMF 16 OG - Marker for terminal blocks

0817811

<https://www.phoenixcontact.com/us/products/0817811>



Marker for terminal blocks, Sheet, orange, unlabeled, can be labeled with: BLUEMARK ID COLOR, BLUEMARK ID, BLUEMARK CLED, PLOTMARK, CMS-P1-PLOTTER, mounting type: snapped, for terminal block width: 16 mm, lettering field size: 15.45 x 5.1 mm, Number of individual labels: 32

UC-TMF 16 OG CUS - Marker for terminal blocks

0824681

<https://www.phoenixcontact.com/us/products/0824681>



Marker for terminal blocks, can be ordered: by sheet, orange, labeled according to customer specifications, mounting type: snap into flat marker groove, for terminal block width: 16 mm, lettering field size: 15.45 x 5.1 mm, Number of individual labels: 32

NBC-PP-G1PGY - DIN rail adapter

1041740

<https://www.phoenixcontact.com/us/products/1041740>



UC-TMF 16 VT CUS - Marker for terminal blocks

0824683

<https://www.phoenixcontact.com/us/products/0824683>



Marker for terminal blocks, can be ordered: by sheet, violet, labeled according to customer specifications, mounting type: snap into flat marker groove, for terminal block width: 16 mm, lettering field size: 15.45 x 5.1 mm, Number of individual labels: 32

UC-TMF 16 BU - Marker for terminal blocks

0817905

<https://www.phoenixcontact.com/us/products/0817905>



Marker for terminal blocks, Sheet, blue, unlabeled, can be labeled with: BLUEMARK ID COLOR, BLUEMARK ID, BLUEMARK CLED, PLOTMARK, CMS-P1-PLOTTER, mounting type: snapped, for terminal block width: 16 mm, lettering field size: 15.45 x 5.1 mm, Number of individual labels: 32

NBC-PP-G1PGY - DIN rail adapter

1041740

<https://www.phoenixcontact.com/us/products/1041740>



UC-TMF 16 YE CUS - Marker for terminal blocks

0824684

<https://www.phoenixcontact.com/us/products/0824684>



Marker for terminal blocks, can be ordered: by sheet, yellow, labeled according to customer specifications, mounting type: snap into flat marker groove, for terminal block width: 16 mm, lettering field size: 15.45 x 5.1 mm, Number of individual labels: 32

UC-TMF 16 GN CUS - Marker for terminal blocks

0824680

<https://www.phoenixcontact.com/us/products/0824680>



Marker for terminal blocks, can be ordered: by sheet, green, labeled according to customer specifications, mounting type: snap into flat marker groove, for terminal block width: 16 mm, lettering field size: 15.45 x 5.1 mm, Number of individual labels: 32

NBC-PP-G1PGY - DIN rail adapter

1041740

<https://www.phoenixcontact.com/us/products/1041740>



UC-TMF 16 RD - Marker for terminal blocks

0817824

<https://www.phoenixcontact.com/us/products/0817824>



Marker for terminal blocks, Sheet, red, unlabeled, can be labeled with: BLUEMARK ID COLOR, BLUEMARK ID, BLUEMARK CLED, PLOTMARK, CMS-P1-PLOTTER, mounting type: snapped, for terminal block width: 16 mm, lettering field size: 15.45 x 5.1 mm, Number of individual labels: 32

Phoenix Contact 2024 © - all rights reserved

<https://www.phoenixcontact.com>

Phoenix Contact USA

586 Fulling Mill Road

Middletown, PA 17057, United States

(+717) 944-1300

info@phoenixcon.com