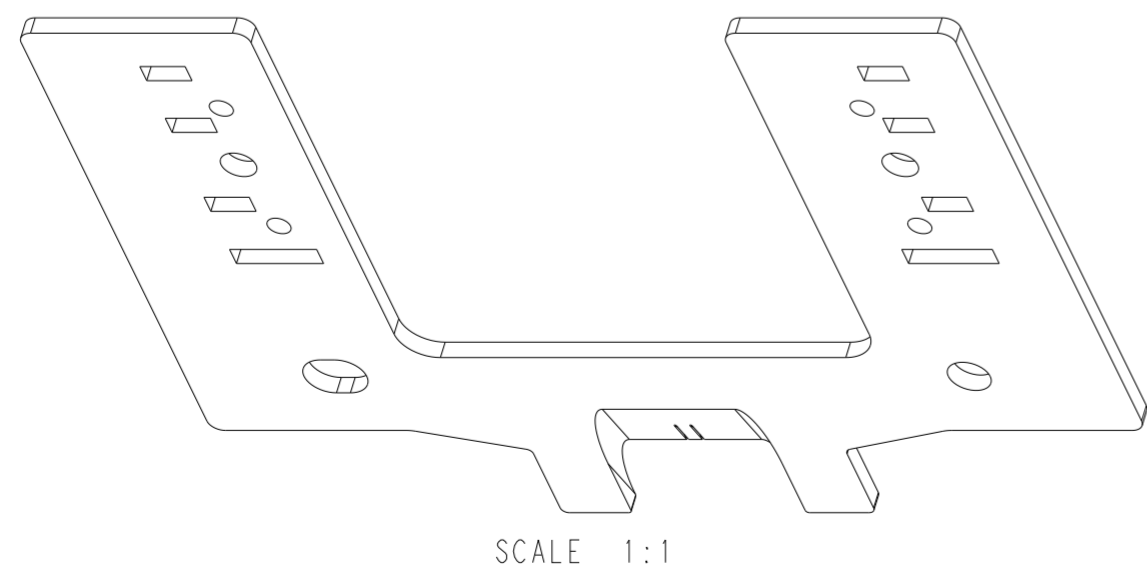
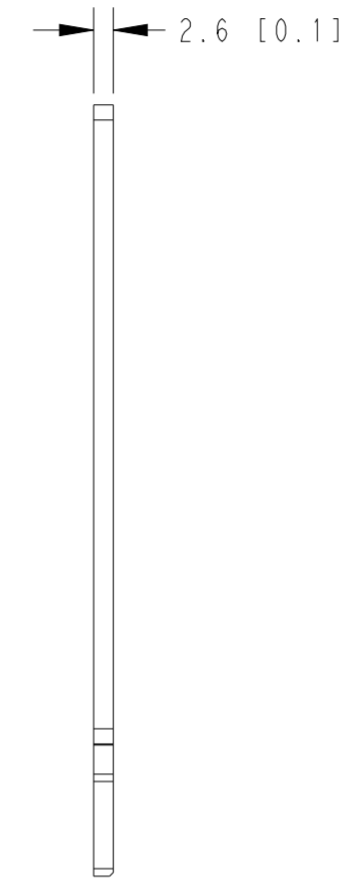
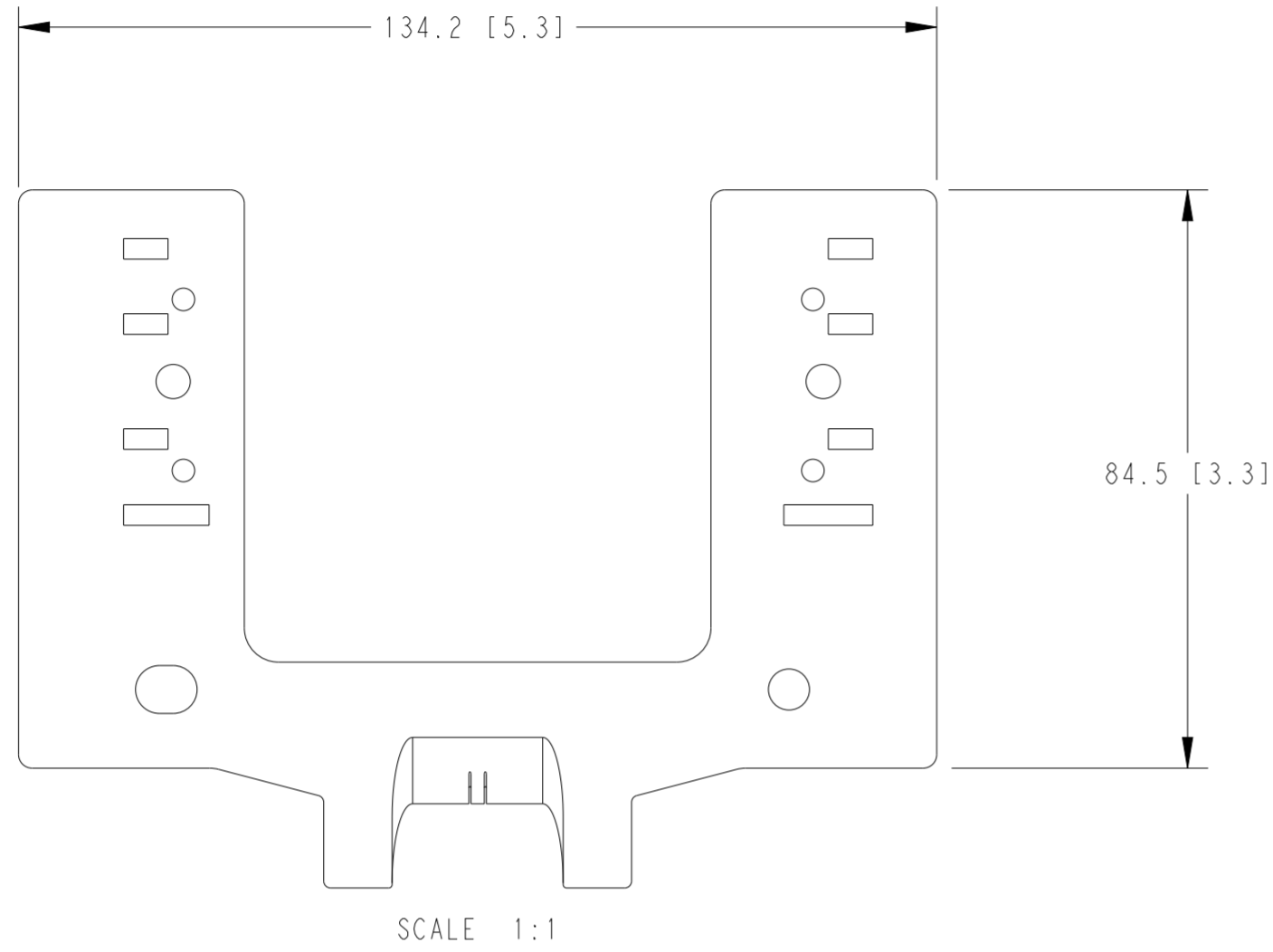



REVISIONS

P	LTR	DESCRIPTION	DATE	DWN	APVD
	A	INITIAL RELEASE	23AUG2023	AD	HD



TTDS-286	T7112DS-CUTTER-BLADE-MOVE	1-2186584-1
TECHNICAL DATA SHEET	PART DISCRPTION	TE PART NUMBER

THIS DRAWING IS A CONTROLLED DOCUMENT.		DWN AKSHAY M DADAWAD 23 JUL 2023	 TE Connectivity	
DIMENSIONS: mm [IN]		CHK HEMNATH D 23 JUL 2023		
TOLERANCES UNLESS OTHERWISE SPECIFIED:		APVD HEMNATH D 23 JUL 2023	NAME T7112DS-CUTTER-BLADE-MOVE Development	
0 PLC ± 1 PLC ±0.1 2 PLC ±0.01 3 PLC ±0.001 4 PLC ±0.0001 ANGLES ±		PRODUCT SPEC SEE TABLE	RESTRICTED TO	
MATERIAL TBD		APPLICATION SPEC -	SIZE A2	CAGE CODE 00779
FINISH -		WEIGHT -	DRAWING NO C-1-2186584-1	
finish_spec_2		CUSTOMER DRAWING	SCALE 5:1	SHEET 1 OF 1
			REV A	