

Horns and Sirens / Heavy-Duty multi-tone sounder  
**Multi-t.sounder WM 42 tne 18-30VDC RD**

Part No.: 142.000.55

**MECHANICAL DATA**

|                              |                             |
|------------------------------|-----------------------------|
| Length                       | 155 mm                      |
| Width                        | 168 mm                      |
| Height                       | 168 mm                      |
| Materials                    | PC/ABS                      |
| Housing colour               | Red                         |
| Protection category          | IP66                        |
| Connection                   | Screw terminals             |
| cross-sectional area maximum | 2,50mm <sup>2</sup> / 14AWG |
| Cable entry                  | Screwed cable gland         |
| Cable entry minimum          | d = 8 mm                    |
| Cable entry maximum          | d = 12 mm                   |
| Tension relief               | Present (conforms to VDE)   |
| Type of fixing               | Wall mounting               |
| Working temperature minimum  | -25°C                       |
| Working temperature maximum  | +75°C                       |
| Weight with packaging        | 1788 g                      |
| Product weight               | 1625 g                      |

**ELECTRICAL DATA**

|                             |                    |
|-----------------------------|--------------------|
| Operating voltage           | 18-30V             |
| Operating voltage type      | DC                 |
| Operating voltage tolerance | +/- 0%             |
| Rated operational voltage   | 24 VDC             |
| Rated operational current   | 450 mA             |
| Protection class            | Protection class 2 |
| Pollution degree            | 3                  |

**ACOUSTIC DATA**

|                             |                 |
|-----------------------------|-----------------|
| Volume (max) at 1m distance | 120,0 dB (A)    |
| Acoustic signal image       | Multi-tone      |
| Number of tones             | 42 tone         |
| Acoustic service life       | 5,000 h minimum |

**APPROVAL DATA**

|                              |     |
|------------------------------|-----|
| Conforms with CE             | Yes |
| Conforms with RoHS directive | Yes |
| WEEE                         | No  |
| Conforms with ATEX-directive | No  |
| Conforms with CCC            | No  |

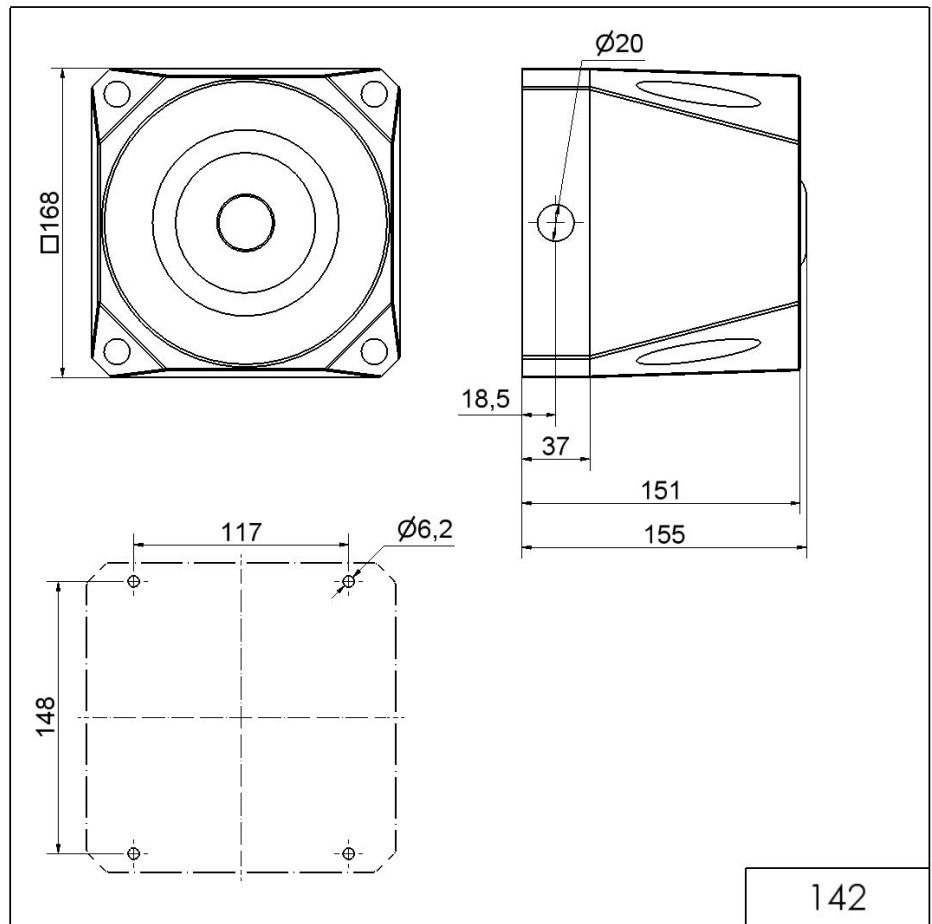


For additional installation and mounting information, refer to the appropriate user guide at [www.werma.com](http://www.werma.com). This printed copy is for information only and is subject to alteration.

Horns and Sirens / Heavy-Duty multi-tone sounder  
**Multi-t.sounder WM 42 tne 18-30VDC RD**

|                           |     |
|---------------------------|-----|
| Conforms with UL          | No  |
| Conforms with FCC         | No  |
| Conforms with IC          | No  |
| EAC certificate available | Yes |
| Conforms with AS-I        | No  |
| ICAO Certification        | No  |
| Conforms with DNV         | No  |
| Conforms with RoHS CN     | No  |
| Conforms with VdS         | No  |

**DRAWING**



**!** For additional installation and mounting information, refer to the appropriate user guide at [www.werma.com](http://www.werma.com). This printed copy is for information only and is subject to alteration.