

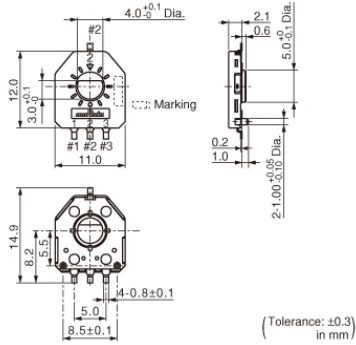
SV03A103AEA01B00

Discontinued

RoHS

REACH

Appearance & Shape



Packaging Information

Packaging	Specifications	Standard Packing Quantity
B00	Bulk(Bag)	50

Features

- High durability : 300k cycles
- Pb free soldering : 260 deg.C
- Operating Temperature:-40 deg.C to +125 deg.C
- Rotational rotor : Through hole type
- Thin type : 2.1mm

Attention

- 1.This datasheet is downloaded from the website of Murata Manufacturing Co., Ltd. Therefore, it's specifications are subject to change or our products in it may be discontinued without advance notice. Please check with our sales representatives or product engineers before ordering.
- 2.This datasheet has only typical specifications because there is no space for detailed specifications.
Therefore, please review our product specifications or consult the approval sheet for product specifications before ordering.

SV03A103AEA01B00



Specifications

Operating Temperature Range	-40°C to 125°C
Shape	SMD
Total Resistance Value	10kΩ
Total Resistance Value Tolerance	±30%
Linearity	±2%
Effective Rotational Angle (typ.)	333.3°
Temperature Coefficient of Resistance	±500ppm/°C
Rotational Life(max.)	300k cycles
Torque(max.)	1mN.m (Ref.:10.5gf.cm)
Rated Voltage	5Vdc
Withstanding Voltage	250Vac, 1 min., Leakage current 50 micro A max.
Insulation Resistance(min.)	100MΩ
Measure Condition of Insulation Resistance	250Vdc
Mass	0.36g

Attention

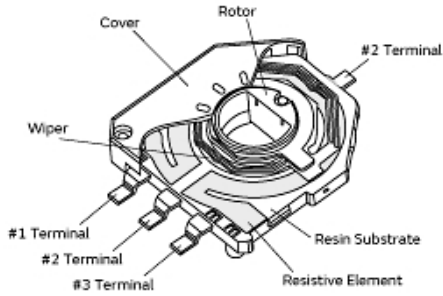
1.This datasheet is downloaded from the website of Murata Manufacturing Co., Ltd. Therefore, it's specifications are subject to change or our products in it may be discontinued without advance notice. Please check with our sales representatives or product engineers before ordering.

2.This datasheet has only typical specifications because there is no space for detailed specifications.

Therefore, please review our product specifications or consult the approval sheet for product specifications before ordering.

SV03A103AEA01B00

Product Data



Constructions

Attention

- 1.This datasheet is downloaded from the website of Murata Manufacturing Co., Ltd. Therefore, it's specifications are subject to change or our products in it may be discontinued without advance notice. Please check with our sales representatives or product engineers before ordering.
- 2.This datasheet has only typical specifications because there is no space for detailed specifications.
Therefore, please review our product specifications or consult the approval sheet for product specifications before ordering.