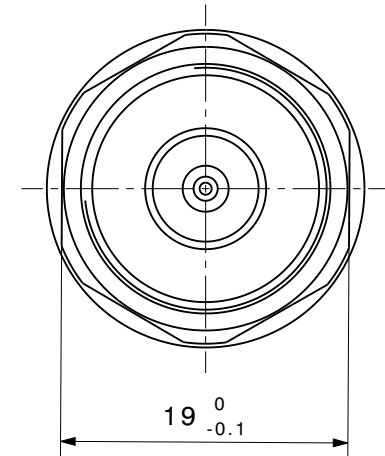
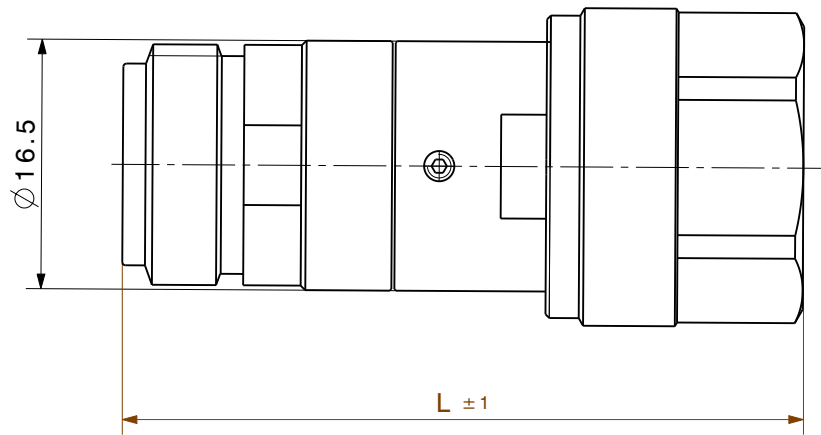


Types:

- 6801_N-50-1
- 6802_N-50-1
- 6803_N-50-1
- 6804_N-50-1
- 6805_N-50-1
- 6806_N-50-1
- 6807_N-50-1
- 6808_N-50-1
- 6809_N-50-1
- 6810_N-50-1
- 6815_N-50-1
- 6820_N-50-1
- 6830_N-50-1
- 6840_N-50-1



0-30dB:L=45
40-60dB:L=48

Type:	All dimensions after treatment in millimeter (mm)		
Assembly drawing	Released date: 09.09.2022	alternative ID	3D-ID PRO-01161233 A Sheet: 1 / 1
	description		ID
	Attenuator		Release DOU-01161234 A