

- METRIC SIZE, LOW COST AUDIO TRANSFORMER. IMPORTED FROM OFFSHORE
- DESIGNED FOR DRY (NO DC) CIRCUITS.
- UNITS TESTED, INSPECTED AND APPROVED BY PREM'S QUALITY ASSURANCE DEPARTMENT

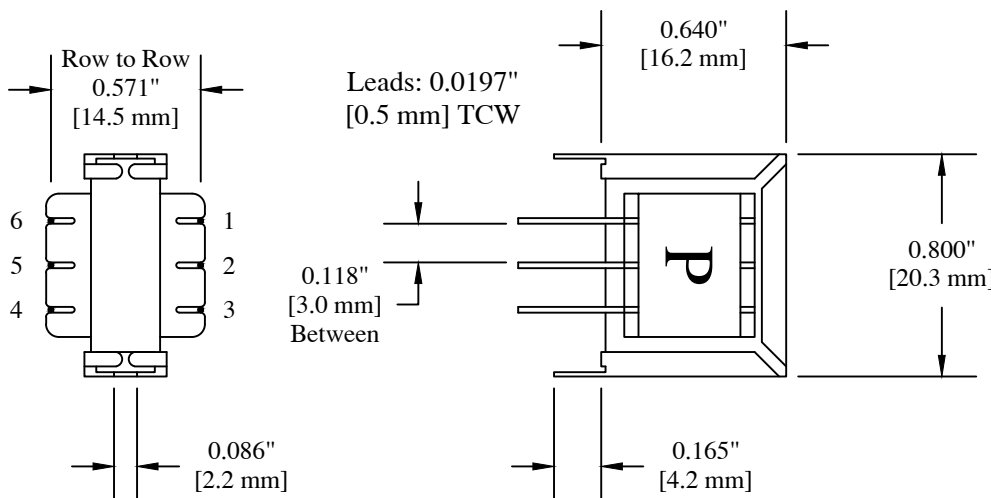
REVISIONS			
DATE	REV	DESCRIPTION	APPV'D
02-24-2016	-1	Updated entire drawing.	TJK
10-28-2016	-2	Changed lead diameter, was .43mm (0.0179), #25 AWG	TJK
04-04-2018	-3	Corrected row to row dim., lead positions added Impedance and DCR parameters	TJK
05-04-2018	-4	Updated lead info (was 0.0196" [0.5] #24 AWG TCW) & added "mm" to all millimeter dimensions (in brackets)	TJK / AG

Dielectric Strength: 1000Vrms P-S-C

Impedance +/- 10% @ 1KHZ

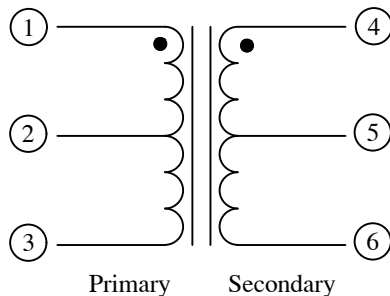
DC Resistance +/-20%

Power: 0.200 Watts Max.



Part #	Description	Impedance Ω		DC Resistance Ω	
		Pri	Sec	Pri	Sec
SPT-400	Output	200 C.T.	8 C.T.	12	0.8
SPT-401	Output	500 C.T.	8 C.T.	26	0.8
SPT-129	Coupling	600 C.T.	600 C.T.	65	55
SPT-402	Output	800 C.T.	8 C.T.	40	0.8
SPT-403	Output	1.2K C.T.	8 C.T.	80	0.8
SPT-404	Interstage	1.5K C.T.	500 C.T.	120	50
SPT-405	Coupling	10K C.T.	600 C.T.	600	100
SPT-406	Driver	10K C.T.	2K C.T.	600	155

All dimensions are reference unless otherwise specified.  
Primary side of coil is designated by the letter P



<b>PREM</b> <sup>®</sup> MAGNETICS INCORPORATED		CUSTOM ENGINEERING MAGNETIC COMPONENTS Johnsburg, Illinois 3521 N. Chapel Hill Rd. / McHenry, Illinois 60051	
SCALE: None	APPROVED BY: <i>Tj Klotz</i>		DRAWN BY Tjk
DATE: 02-24-16			REVISED
<b>Mechanical / Electrical Drawing for Part SPT-400 through -406 &amp; SPT-129</b>			
( Economy Audio Transformer - 200mW Max.)			DRAWING NUMBER SPT-400 Size 3