

REV. Status

REVISION -  
08/04/96 TS

REVISION A  
UPDATED TO  
NEW LABEL  
12/06/95 TS

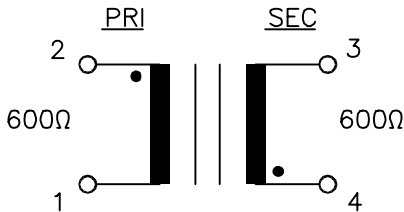
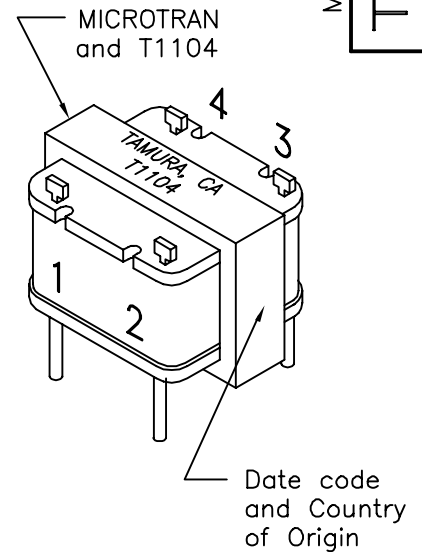
REVISION B  
NEW FORMAT  
07/17/96 TS

VERY LOW PROFILE DRY COUPLING TELECOMMUNICATON TRANSFORMER WITH SUPERIOR PERMEABILITY

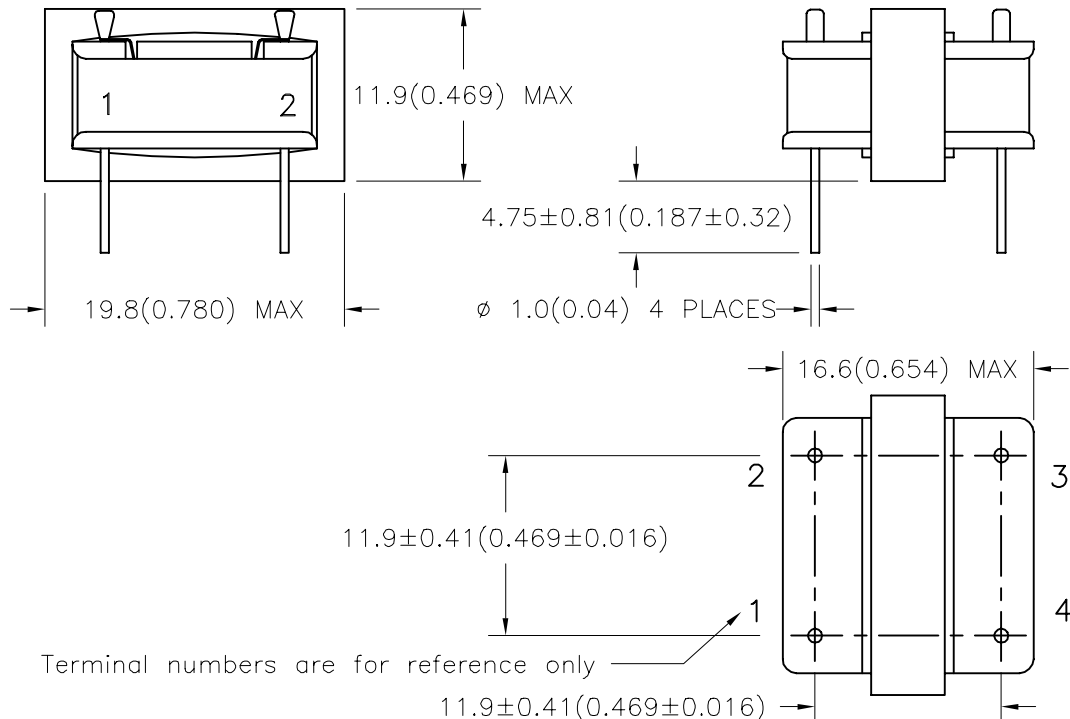


MODEL NUMBER  
T1104

- A. Electrical Specifications (@ 25° C)
  1. Pri Source Impedance: 600 Ω
  2. Sec Load Impedance: 600 Ω
  3. Operating Level: -45 dBm to +7 dBm and 0mA DC
  4. Insertion Loss: 1.0 dB TYP @ 1 KHz, 0dBm
  5. Frequency Response (Relative to 1 KHz):  
±0.5 dB @ 300 Hz to 3.5 KHz, 0dBm
  6. DC Unbalance: 0mA DC
  7. Total Harmonic Distortion: 0.5% MAX
  8. Return Loss: 26 dB MIN
  9. Longitudinal Balance:  
60 dB MIN @ 200 Hz to 1 KHz  
40 dB MIN @ 1 KH to 4 KHz
  10. DC Resistance:  
1-2 = 46 Ω ±15%  
3-4 = 63 Ω ±15%
  11. Dielectric Strength:  
1500 Vrms, 1 minute @ Pri to Sec and Pri to Core
- B. Marking: TAMURA CA, T1104, MICROTRAN, terminal numbers, Date Code and Country of Origin
- C. Safety: CSA-C22.2 No. 950-M89 File No. 138028  
UL1459, UL1950 File No. 138028
- D. Schematic Diagram:



- E. Mechanical Specifications:  
All dimensions shown are nominal unless otherwise specified



Terminal numbers are for reference only

TOLERANCES (mm)
≤ 4 ± 0.2
4 ≤ 20 ± 0.3
20 ≤ 50 ± 0.4

PREPARED BY:

K. Brennan

ENGINEER:

T. Shiozawa

QUALITY CONTROL:

D. Kelley

APPROVED:

D. Kelley

DRAWING CONTROL NO.  
P-A1-11365  
ACAD\MXFMR\A113651.DWG

REV  
B

MODEL DESCRIPTION  
TELECOMMUNICATION COUPLING  
TRANSFORMER

**TAMURA CORPORATION OF AMERICA**  
43352 BUSINESS PARK DRIVE, TEMECULA, CA. 92590-6624  
(909) 699-1270 FAX 9096769482

MODEL SPECIFICATION

T1104

DIM: mm(In) SCL: 2/1 SH: 1 OF 1

PROPRIETARY NOTICE: THIS DRAWING PRINT OR DOCUMENT AND SUBJECT MATTER DISCLOSED HEREIN ARE PROPRIETARY ITEMS TO WHICH TAMURA RETAINS THE EXCLUSIVE RIGHT OF DISSEMINATION, REPRODUCTION, MANUFACTURE AND SALE. THIS DRAWING, PRINT OR DOCUMENT IS SUBMITTED IN CONFIDENCE FOR CONSIDERATION BY THE RECIPIENT ALONE UNLESS PERMISSION FOR FURTHER DISCLOSURE IS EXPRESSLY GRANTED IN WRITING.