

6

5

4

3

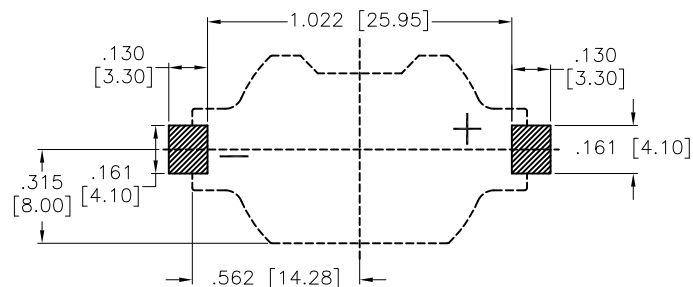
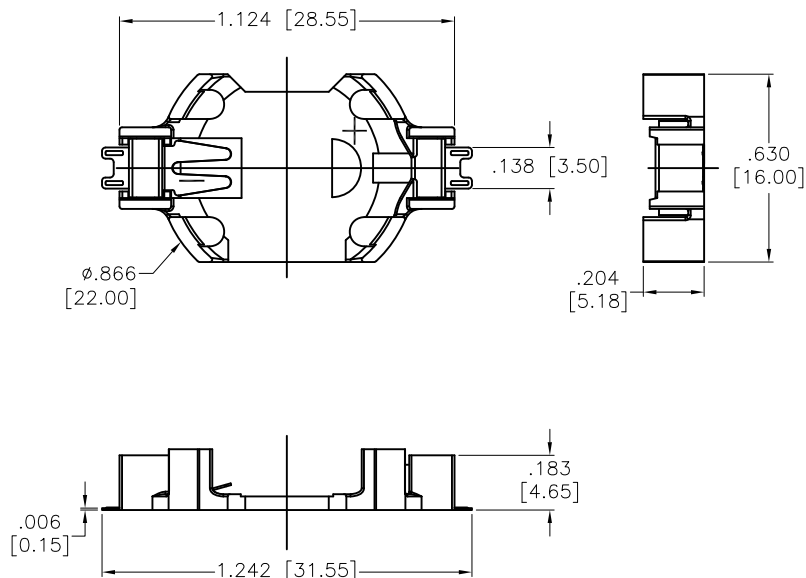
2

1

APPROVED: _____

DATE: _____ TITLE: _____

Rev	AWO #	Description	Date	Appr
-		RELEASED	6/24/15	



RECOMMENDED PCB LAYOUT

SPECIFICATIONS:

Material:
Housing: Hi-Temp Thermoplastic, Glass reinforced rated UL94V-0
Housing Color: White
Contact: Phosphor Bronze
Plating:
Tin over Copper underplate overall
Electrical:
Contact resistance: 30 Milliohms max
Insulation resistance: 1,000 Megohms ohms min
Dielectric Voltage: 500 VAC one sec level
Temperature Rating:
Operating temperature: -25°C to +85°C.
Environmental:
Lead free, RoHS compliant



UNLESS OTHERWISE SPECIFIED ALL DIMENSIONS ARE INCHES [MM] TOLERANCES: EXCEPT AS NOTED		ADAM TECH 909 Rahway Avenue, Union, NJ 07083 Phone: 908-687-5000 Fax: 908-687-5710	
INCHES HOLES			
.X ± .10	Ø.X ± .10	TITLE BATTERY COIN CELL HOLDER, CR 2032 WHITE COLOR	
.XX ± .020	Ø.XX ± .015		
.XXX ± .015	Ø.XXX ± .010		
APPROVALS		DATE	
DRAWN	HR	6/24/15	
CHECKED	LW	6/24/15	
APPROVED			
SIZE	PART NO.	REV.	
X	BH-27A-5-WT	-	
REF: S00138C	SCALE: NTS	SHEET 1 OF 1	

6

5

4

3

2

1