

62879-1 ✓ ACTIVE

TE Internal #: 62879-1

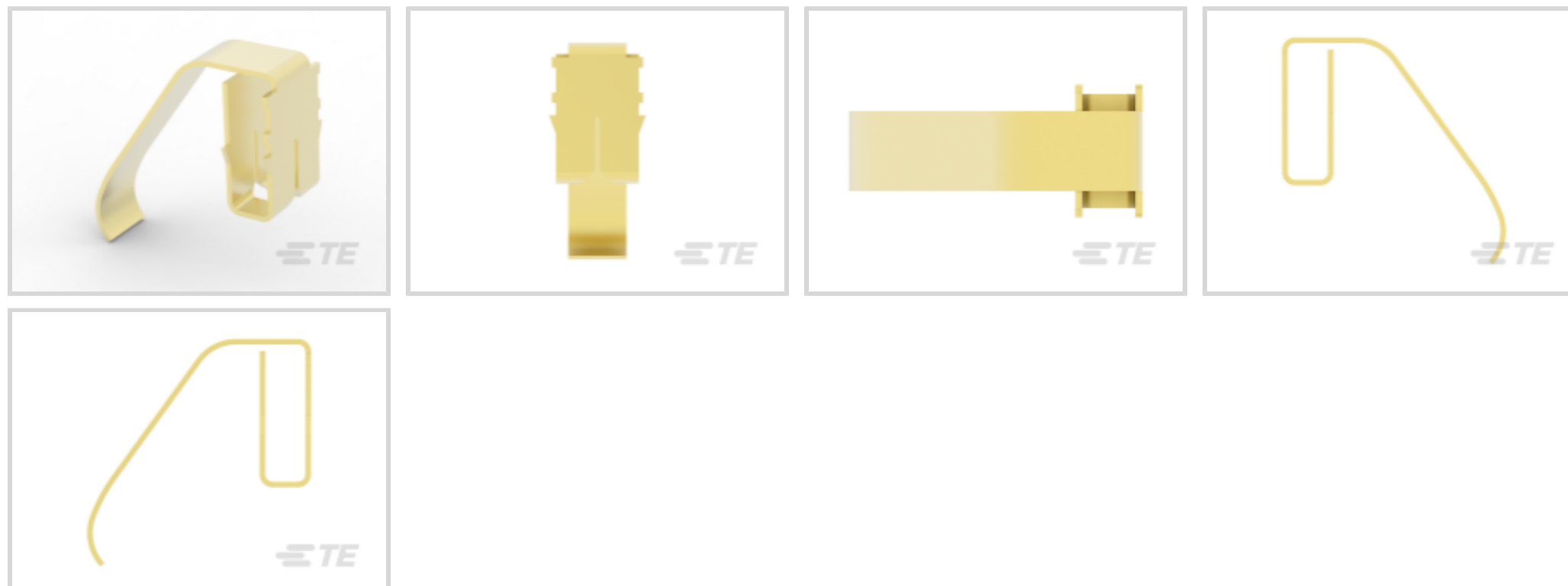
Special Purpose Terminals, Tab, 24 – 20 AWG Wire Size, .2 – .5 mm²

Wire Size, Unplated Plating, Length .515 in [13 mm], Bag

[View on TE.com >](#)



Terminals & Splices > Special Purpose Terminals



Special Purpose Terminal Type: **Tab**

Wire Size: **.2 – .5 mm²**

Terminal Material Thickness: **.3 mm [.012 in]**

Terminal Plating Material: **Unplated**

Features

Product Type Features

Wire Insulation Support Retention Type Non-Insulation Support

Sealable No

Contact Features

Special Purpose Terminal Type Tab

Terminal Plating Material Unplated

Mechanical Attachment

Wire Insulation Support Without

Dimensions

Wire Size .2 – .5 mm²

Terminal Material Thickness .3 mm [.012 in]

Product Length 13 mm [.515 in]

Usage Conditions

Insulation Option Uninsulated

Operating Temperature Range -40 – 105 °C [-40 – 221 °F]

Packaging Features

Packaging Quantity	1000
--------------------	------

Packaging Method	Bag
------------------	-----

Product Compliance

[For compliance documentation, visit the product page on TE.com>](#)

EU RoHS Directive 2011/65/EU	Compliant
------------------------------	-----------

EU ELV Directive 2000/53/EC	Compliant
-----------------------------	-----------

China RoHS 2 Directive MIIT Order No 32, 2016	No Restricted Materials Above Threshold
---	---

EU REACH Regulation (EC) No. 1907/2006	Current ECHA Candidate List: JAN 2024 (240) Candidate List Declared Against: JAN 2024 (240) Does not contain REACH SVHC
--	---

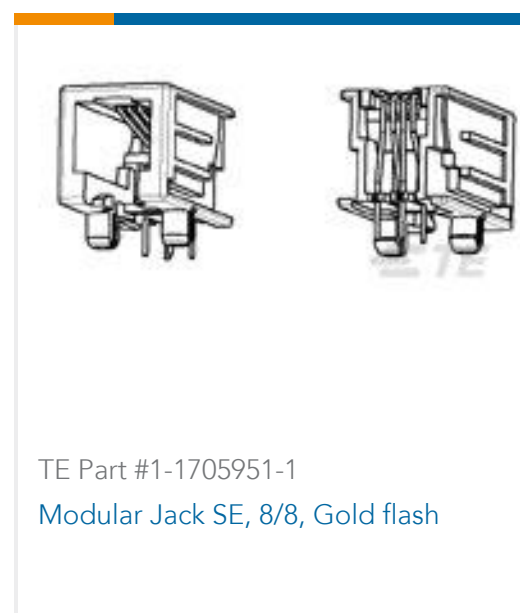
Halogen Content	Low Halogen - Br, Cl, F, I < 900 ppm per homogenous material. Also BFR/CFR/PVC Free
-----------------	---

Solder Process Capability	Not applicable for solder process capability
---------------------------	--

Product Compliance Disclaimer

This information is provided based on reasonable inquiry of our suppliers and represents our current actual knowledge based on the information they provided. This information is subject to change. The part numbers that TE has identified as EU RoHS compliant have a maximum concentration of 0.1% by weight in homogenous materials for lead, hexavalent chromium, mercury, PBB, PBDE, DBP, BBP, DEHP, DIBP, and 0.01% for cadmium, or qualify for an exemption to these limits as defined in the Annexes of Directive 2011/65/EU (RoHS2). Finished electrical and electronic equipment products will be CE marked as required by Directive 2011/65/EU. Components may not be CE marked. Additionally, the part numbers that TE has identified as EU ELV compliant have a maximum concentration of 0.1% by weight in homogenous materials for lead, hexavalent chromium, and mercury, and 0.01% for cadmium, or qualify for an exemption to these limits as defined in the Annexes of Directive 2000/53/EC (ELV). Regarding the REACH Regulation, the information TE provides on SVHC in articles for this part number is based on the latest European Chemicals Agency (ECHA) 'Guidance on requirements for substances in articles' posted at this URL: <https://echa.europa.eu/guidance-documents/guidance-on-reach>

Customers Also Bought





TE Part #6364372-2
Std USB Type A, R/A, T/H, Natural



TE Part #1623140-1
CRG0805 1% 1K8



TE Part #1623168-1
CRG0805 1% 270K



TE Part #1-1462037-4
IM03GR=IM RELAY 140mW 5V



TE Part #63705-1
125 FASTON REC 22-18 AWG BR



TE Part #ADP-SMAM-MCXF
SMA Plug to MCX Jack

Documents

Product Drawings

UNIVERSAL BATTERY CONTACT 24-20 AWG BR

English

CAD Files

3D PDF

3D

Customer View Model

[ENG_CVM_CVM_62879-1_T.2d_dxf.zip](#)

English

Customer View Model

[ENG_CVM_CVM_62879-1_T.3d_igs.zip](#)

English

Customer View Model

[ENG_CVM_CVM_62879-1_T.3d_stp.zip](#)

English

By downloading the CAD file I accept and agree to the [Terms and Conditions](#) of use.

Product Specifications

Universal Battery Contact

English

Application Specification

English