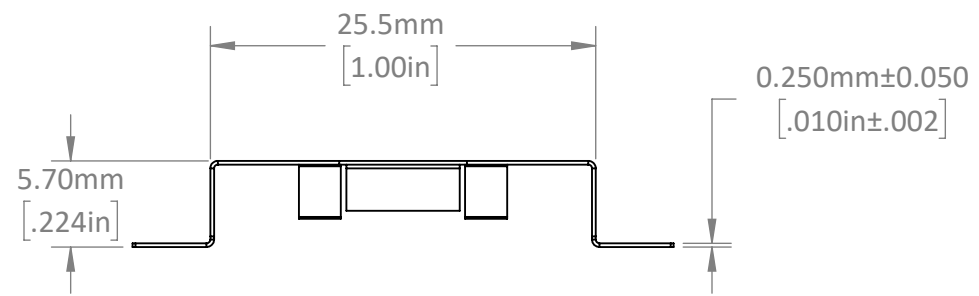
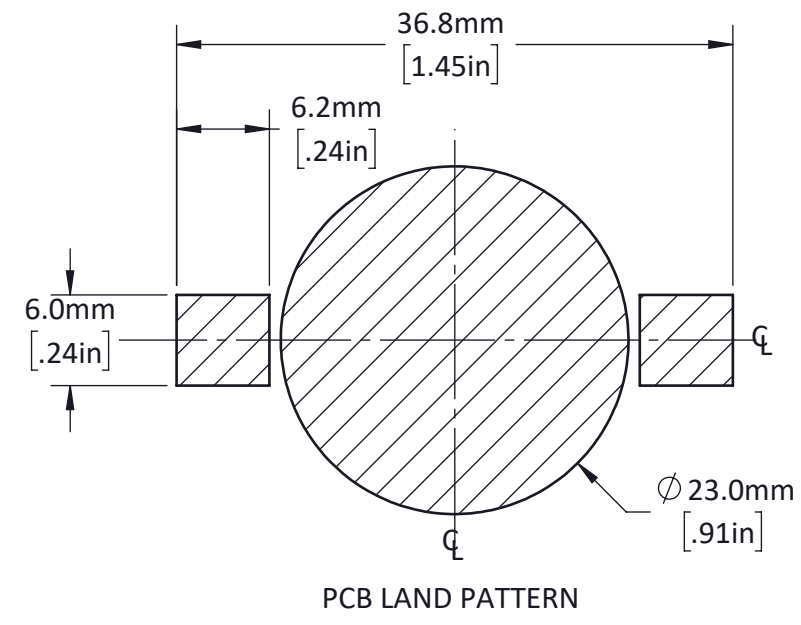
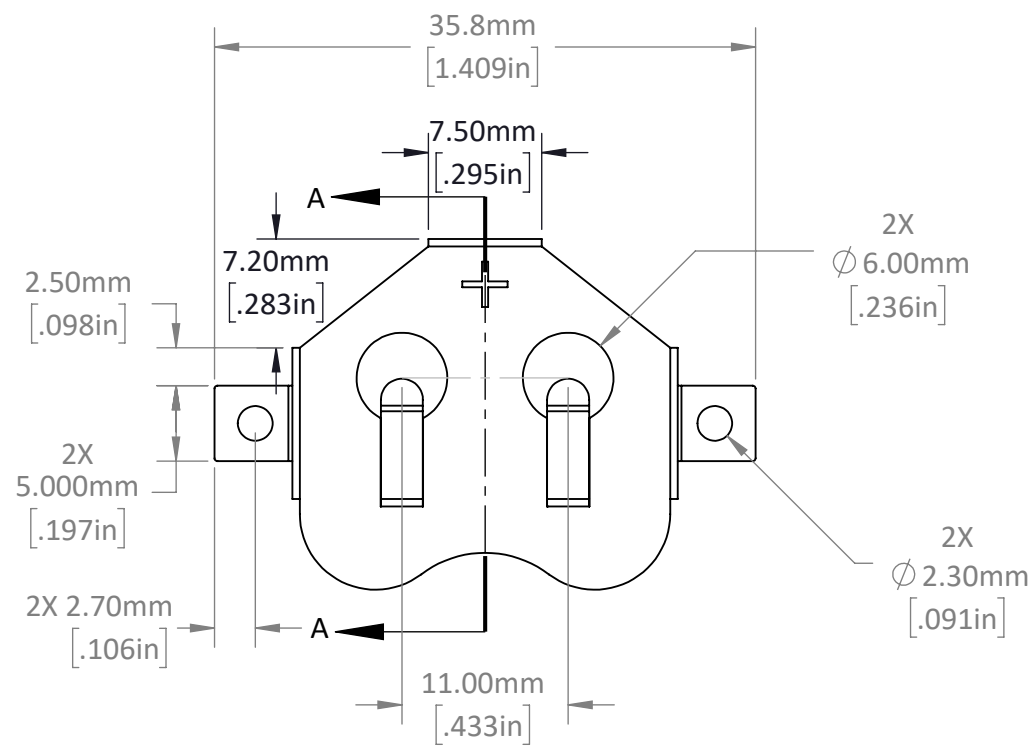
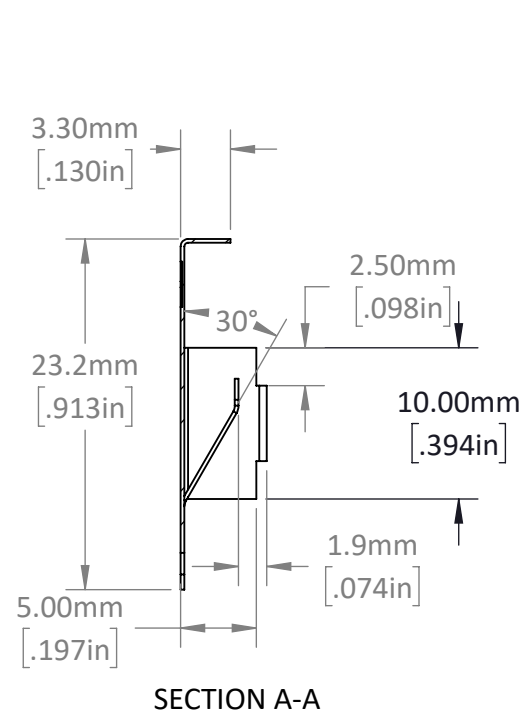




REVISIONS			
REV	DESCRIPTION	DATE	APPV
A	PRODUCTION RELEASE	JHAGER 3/29/21	



- NOTES: (UNLESS OTHERWISE SPECIFIED)
1. ALL DIMENSIONS ARE IN MILLIMETERS [IN].
 2. DIMENSIONS APPLY AFTER FINISHING.
 3. MANUFACTURE TO BE COMPLIANT WITH EU RoHS DIRECTIVE, USE MATERIALS THAT DO NOT CONTAIN REACH SUBSTANCES OF VERY HIGH CONCERN >1000ppm, AND USE DRC CONFLICT-FREE SOURCED MATERIALS.
 4. ALL UNLISTED GEOMETRY CONTROLLED BY MODEL AT LATEST REVISION.
 5. MATERIAL: .250mm C5191 PHOSPHOR BRONZE 3μIN NICKEL PLATING.
 6. BEND RADIUS: MINIMUM FOR LISTED MATERIAL AT TEMPER LEVEL SHOWN. ALL BENDS 90°±3° UNLESS OTHERWISE SPECIFIED.
 7. INTENDED TO ACCOMMODATE CR2450 FORM FACTOR Ø24.5mm COIN POWER CELL.

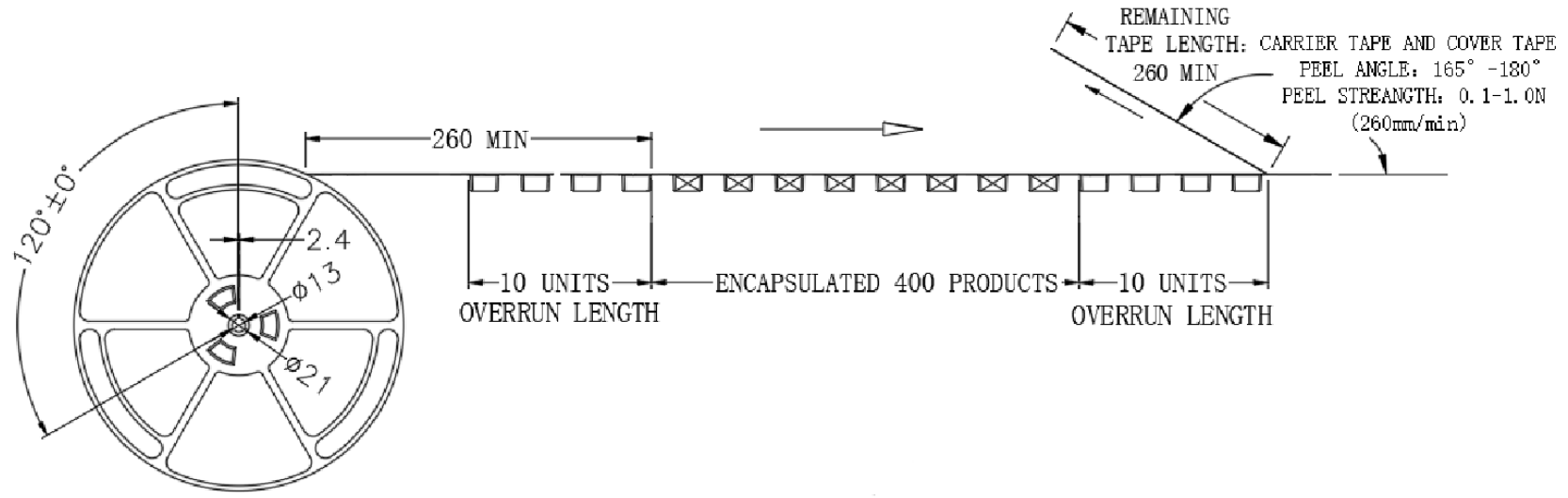
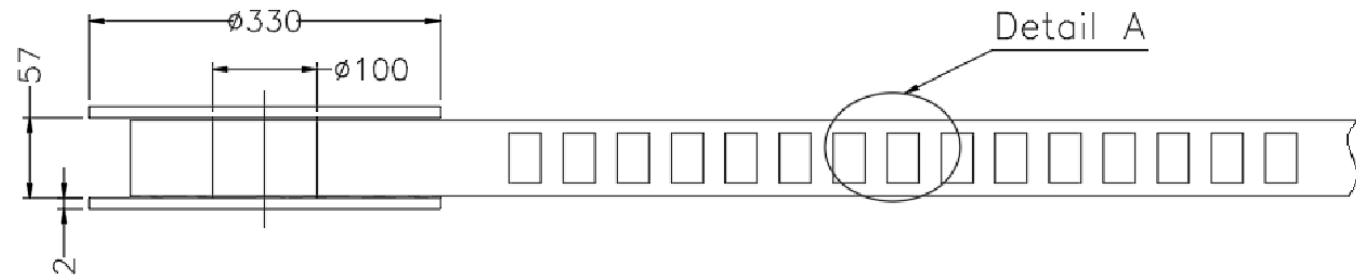
WARNING: THIS DRAWING CONTAINS PROPRIETARY INFORMATION THAT IS THE SOLE PROPERTY OF LINX TECHNOLOGIES, AND SHALL BE TREATED AS SUCH. NO DISCLOSURE OR REPRODUCTION OF THIS DOCUMENT IS PERMITTED, IN WHOLE OR IN PART, WITHOUT THE EXPRESS WRITTEN PERMISSION OF LINX TECHNOLOGIES OR ITS DESIGNATED AGENTS.		 159 ORT LANE MERLIN, OR 97532	
MATERIAL: PHOSPHOR BRONZE C5191	INTERPRET DIMENSIONS AND TOLERANCES PER ASME Y14.5.	TITLE: Battery Retainer Coin, 24.5 mm 1 Cell SMT (SMD), 2450	
WEIGHT:	.X ±2.0 .XX ±1.0 .XXX ±.500	PROJECTION: 	SIZE DWG. NO. REV B C-BAT-HLD-006-SMT A
FINISH: NICKEL	DRAWN: JHAGER ENGR: DASARATHAN	DT: 3/29/21 DT: 10-JUL-08	SCALE: 2:1 DO NOT SCALE DRAWING SHEET 1 OF 2

8 7 6 5 4 3 2 1

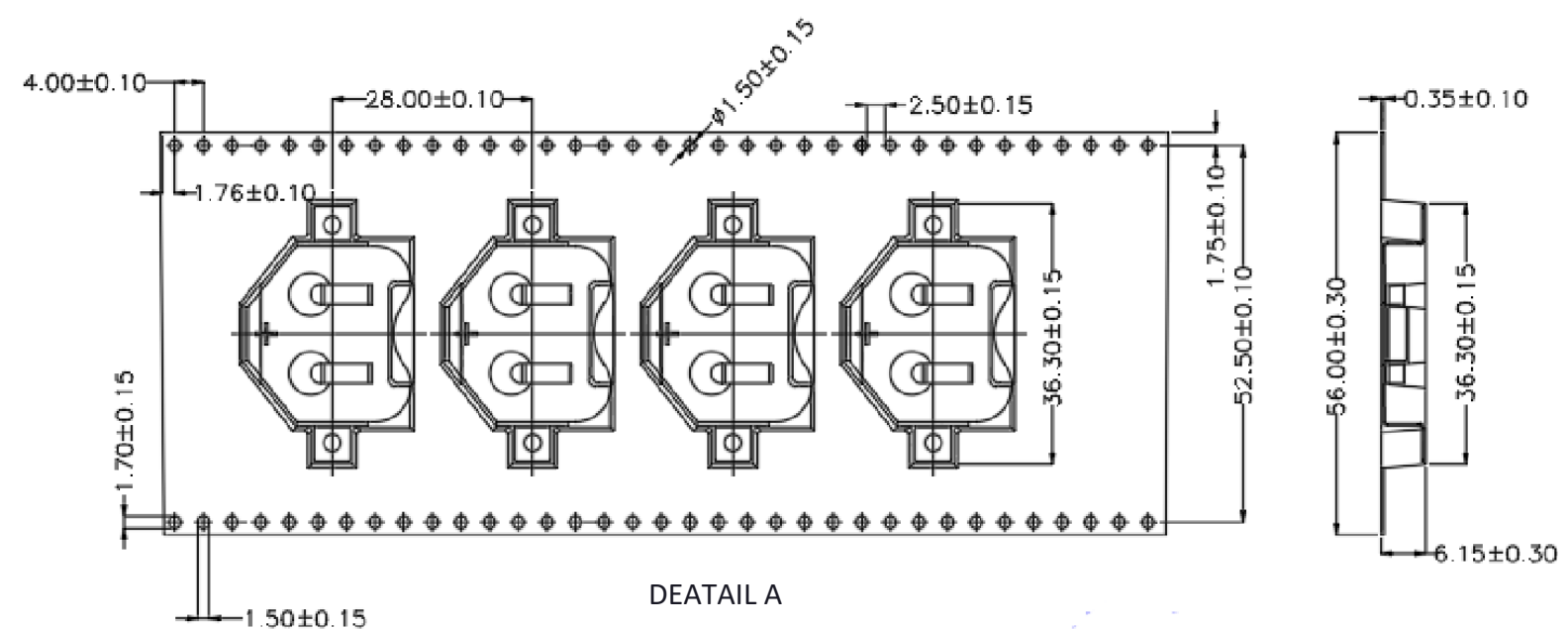
D
C
B
A

D
C
B
A

8 7 6 5 4 3 2 1 LDCDFB_B



REMAINING
TAPE LENGTH: CARRIER TAPE AND COVER TAPE
260 MIN
PEEL ANGLE: 165° -180°
PEEL STRENGTH: 0.1-1.0N
(260mm/min)



- NOTES:
1. The cumulative allowable tolerance of the distance between ten holes of the round hole is $\pm 0.2\text{mm}$
 2. The length of the belt is 250mm and the allowable bending degree is 1mm
 3. The thickness of the material is measured at the edge of the carrier tape
 4. All size definitions follow the definitions of EIA-481-C series standards
 5. Material: black PS T=0.35mm
 6. All reels are gray and blue hollowed out rotating plastic reels
 7. The non-specified tolerance range is: $\pm 0.1\text{mm}$; the cumulative error is not calculated if it exceeds 250mm
 8. The chamfer R where the shape of the cavity is not marked is 0.2-0.3; if the draft angle is not marked, it is below 3°

Linix 159 ORT LANE
MERLIN, OR 97532

SIZE	DWG. NO.	REV
B	BAT-HLD-006-SMT-TR	A
SCALE: 2:1	DO NOT SCALE DRAWING	SHEET 2 OF 2

LDCDFB_B