



50 Ohm BNC Female to 75 Ohm RCA Plug Adapter

RF Adapters Technical Data Sheet

PE9158

Configuration

- BNC Female Connector 1
- RCA Plug Connector 2
- 50 Ohms, 75 Ohms
- Straight Body Geometry

Features

- BNC Interface compliant with MIL-C-39012
- Nickel Plated Brass Contact

Applications

- Allows Connection Between Series
- General Purpose Test

Description

Pasternack's PE9158 50 ohm BNC female to 75 ohm RCA plug adapter is part of our full line of RF components available for same-day shipping. Our BNC to RCA adapter has a female to plug gender configuration. PE9158 BNC female to RCA plug adapter operates to 250 MHz.

RF adapters are often used to enable connections between two connector types that would otherwise not mate. Certain adapter configurations can also be used to protect connectors on expensive equipment where the number of connect/disconnect cycles is high. An RF, microwave or millimeter wave adapter is connected to the equipment, and the commonly changed connection is made with the adapter which can be easily replaced when it wears out after high usage; such adapters are referred to as connector savers. Pasternack also offers bulkhead, panel mount, hermetically sealed, reverse polarity, and isolated ground adapter varieties to serve all of your RF, microwave and millimeter wave needs.

Electrical Specifications

Description	Minimum	Typical	Maximum	Units
Frequency Range	DC		250	MHz
Operating Voltage (AC)			500	Vrms

Electrical Specification Notes:
Values at 25°C, sea level.

Mechanical Specifications

Size	
Length	1.323 in [33.6 mm]
Width	0.433 in [11 mm]
Weight	0.02 lbs [9.07 g]

Click the following link (or enter part number in "SEARCH" on website) to obtain additional part information including price, inventory and certifications: [50 Ohm BNC Female to 75 Ohm RCA Plug Adapter PE9158](#)



50 Ohm BNC Female to 75 Ohm RCA Plug Adapter

RF Adapters Technical Data Sheet

PE9158

Description	Connector 1	Connector 2
Type	BNC Female	RCA Plug
Polarity	Standard	Standard
Interface Specification	MIL-C-39012	
Mating Cycles	500	

Material Specifications

Description	Connector 1		Connector 2	
	Material	Plating	Material	Plating
Type	BNC Female		RCA Plug	
Contact	Brass	Nickel	Brass	Nickel
Insulation	PTFE		PTFE	
Outer Conductor	Brass	Nickel		
Body			Brass	Nickel
Coupling Nut			Brass	Nickel

Environmental Specifications

Temperature

Operating Range -40 to +60 deg C

Vibration

Temperature Cycling

Salt Spray

MIL-STD-202, Method 204, Condition B

MIL-STD-202, Method 107, Condition B

MIL-STD-202, Method 101, Condition B

Compliance Certifications (see [product page](#) for current document)

Plotted and Other Data

Notes:

Click the following link (or enter part number in "SEARCH" on website) to obtain additional part information including price, inventory and certifications: [50 Ohm BNC Female to 75 Ohm RCA Plug Adapter PE9158](#)



50 Ohm BNC Female to 75 Ohm RCA Plug Adapter

RF Adapters Technical Data Sheet

PE9158

50 Ohm BNC Female to 75 Ohm RCA Plug Adapter from Pasternack Enterprises has same day shipment for domestic and International orders. Our RF, microwave and millimeter wave products maintain a 99% availability and are part of the broadest selection in the industry.

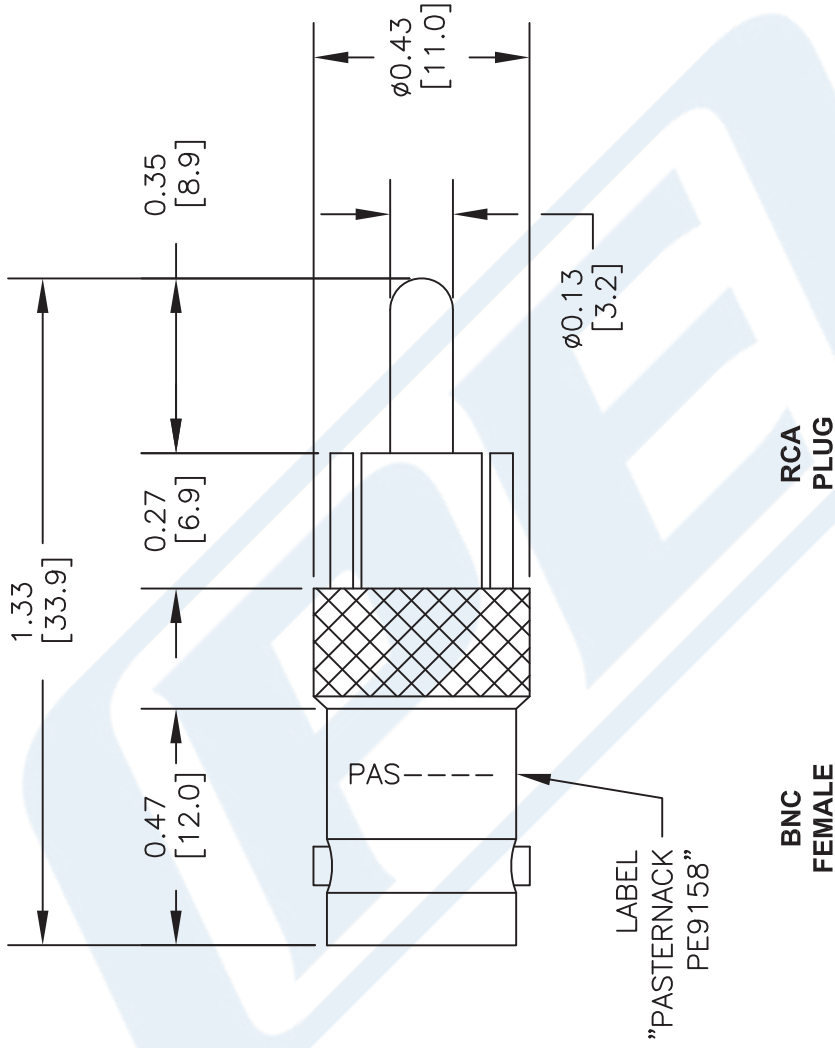
Click the following link (or enter part number in "SEARCH" on website) to obtain additional part information including price, inventory and certifications: [50 Ohm BNC Female to 75 Ohm RCA Plug Adapter PE9158](https://www.pasternack.com/rca-plug-bnc-female-straight-adapter-pe9158-p.aspx)

URL: <https://www.pasternack.com/rca-plug-bnc-female-straight-adapter-pe9158-p.aspx>

The information contained in this document is accurate to the best of our knowledge and representative of the part described herein. It may be necessary to make modifications to the part and/or the documentation of the part, in order to implement improvements. Pasternack reserves the right to make such changes as required. Unless otherwise stated, all specifications are nominal. Pasternack does not make any representation or warranty regarding the suitability of the part described herein for any particular purpose, and Pasternack does not assume any liability arising out of the use of any part or documentation.

PE9158 CAD Drawing

50 Ohm BNC Female to 75 Ohm RCA Plug Adapter



STANDARD TOLERANCES
 .X ±0.2
 .XX ±0.1
 .XXX ±0.05

*STANDARD TOLERANCES APPLY ONLY TO DIMENSIONS IN INCHES

NOTES:
 1. UNLESS OTHERWISE SPECIFIED ALL DIMENSIONS ARE NOMINAL.
 2. ALL SPECIFICATIONS ARE SUBJECT TO CHANGE WITHOUT NOTICE AT ANY TIME.
 3. DIMENSIONS ARE IN INCHES [mm].

DWG TITLE
PE9158

FSCM NO. 53919

CAD FILE 090816

SCALE N/A

SIZE A

41742

PE PASTERNAK
 THE ENGINEER'S RF SOURCE

Pasternack Enterprises, Inc.
 P.O. Box 16759 | Irvine | CA | 92623

Phone: (949) 261-1920 | Fax: (949) 261-7451
 Website: www.pasternack.com | E-Mail: sales@pasternack.com