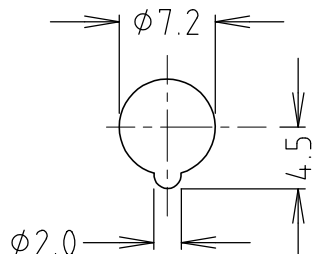
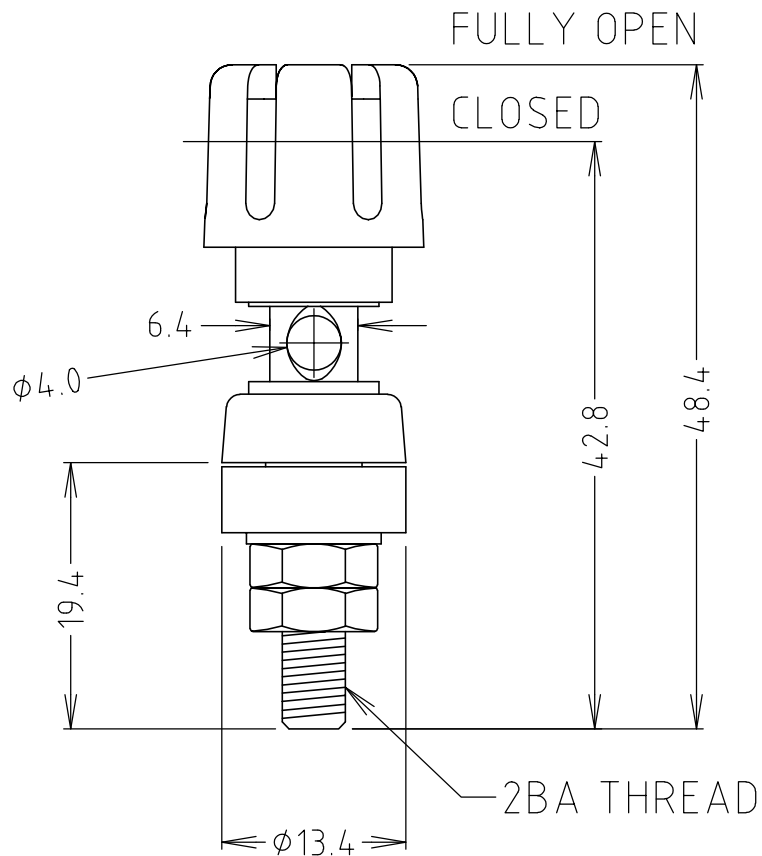


ISS.	AMEND	DATE
1	1st DRAWN	26/06/09
2	CL159742 GREEN ADD	09/09/09
3	ADD ASSEMBLED	10/04/19



MOUNTING HOLE

PART No.	MODEL	COLOURS			PACKING
		KNOB	TOP INS.	BOT INS.	
CL159711	TP6 BLACK/GOLD	BLACK	BLACK	BLACK	UNASSEMBLED
CL159721	TP6 RED/GOLD	RED	RED	BLACK	
CL159742	TP6 GREEN/GOLD	GREEN	GREEN	BLACK	
CL159711A	TP6 BLACK/GOLD	BLACK	BLACK	BLACK	ASSEMBLED
CL159721A	TP6 RED/GOLD	RED	RED	BLACK	
CL159742A	TP6 GREEN/GOLD	GREEN	GREEN	BLACK	

UNASSEMBLED BOT INS, NUTS + WASHER PACKED SEPARATELY
 ASSEMBLED BOT INS, NUTS + WASHER ASSEMBLED

THESE MODELS HAVE A GOLD PLATED SPINDLE.

RoHS
 COMPLIANT

TOLERANCE
 NO DEC. PLACE ±
 1 DEC. PLACE ±
 2 DEC. PLACE ±
 HOLE Ø ±
 ANGLES ±
 UNLESS OTHERWISE STATED

DO NOT SCALE

Cliff Electronic Components Ltd.

76 Holmethorpe Avenue, Holmethorpe Industrial Estate,
 Redhill, Surrey, RH1 2PF, England, UK
 Tel: 01737-771375 Fax: 01737-766012 Website: www.cliffuk.co.uk

DIMENSIONS IN MILLIMETERS UNLESS OTHERWISE STATED. WORK TO DIMENSIONS. REMOVE ALL BURRS. IF IN DOUBT ASK.

3rd ANGLE PROJECTION:

MATERIAL: POLYPROP / BRASS / POLYAMIDE

TITLE: TERMINAL POST TP6 GOLD

FINISH: AS MOULDED / Ni / Au PLATED

THE CONTENTS OF THIS DOCUMENT MUST NOT BE COPIED OR DISCLOSED TO A 3rd PARTY WITHOUT WRITTEN PERMISSION OF CLIFF UK. © 2009

DRAWN: C.A.M.J.

APPROVED: R.W.T.

DRWG. No. **CL159711**

FORM: A4DRWG1