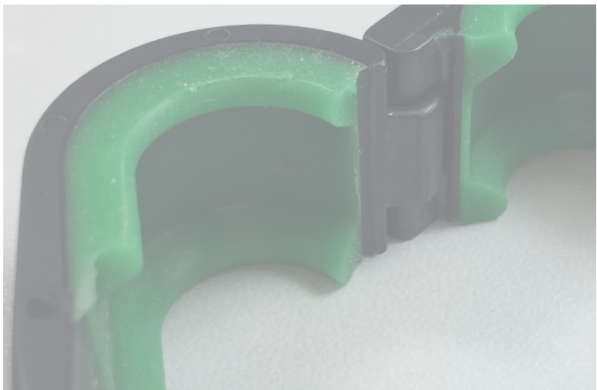
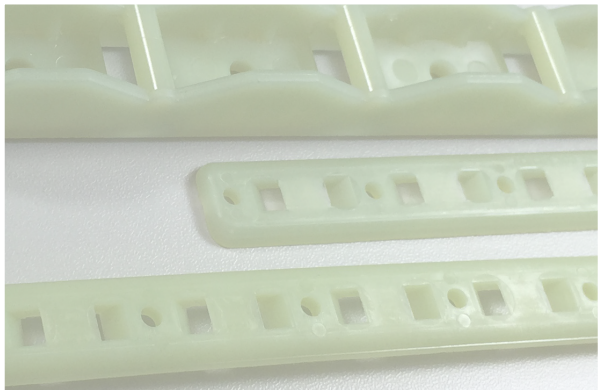
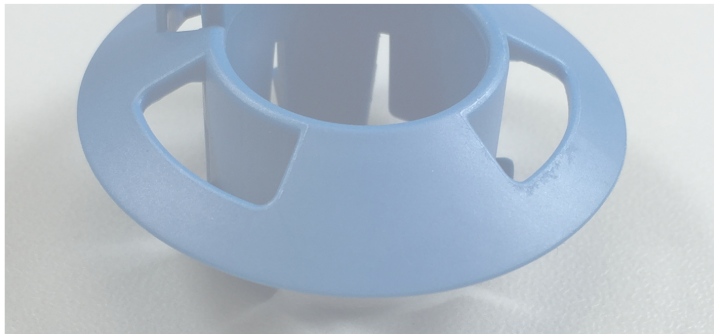


**Amphenol Pcd**



**SYSTEM ATTACHMENTS**



# Amphenol Pcd

Notice: Specifications are subject to change without notice. Contact your nearest Amphenol Corporation Sales Office for the latest specifications. All statements, information and data given herein are believed to be accurate and reliable, but are presented without guarantee, warranty, or responsibility of any kind expressed or implied. Statements or suggestions concerning possible use of our products are made without representation or warranty that any such use is free of patent infringement and are not recommendations to infringe any patent. The user should not assume that all safety measures are indicated or that other measures may not be required. Specifications are typical and may not apply to all connectors.

# INDEX

---

ALBPCL75P	4-5
High Performance P-Clamps	6
High Performance Omega Clamps	7
High Performance LDG P-Clamps	8
Light Weight C-Clamps (CC1339L)	9
C-Clamps 5516	10-11
Fairlead Blocks	12
Hat Supports	13
Harness Supports	14-16
Cable Supports	17-21
Cable Separators	22
Lightening Hole Bushing	23-24
Standoffs	25
Amphenol Air Lb France Standoffs	26
Amphenol Air Lb France Brackets	27-28
Accessories, Abs, 2225	29
Jig Board Clamps	30

# SYSTEM ATTACHMENTS

## ALBPCL75P



Engineered for lean manufacturing the high performance 75P clamp was designed as a one-for-one replacement to outperform industry standard metal clamps (such as AS21919). Featuring a locking feature, butterfly stacking, weight savings, durable PEEK polymer band material and multiple cushion material options that are completely non-conductive and non-corrosive, the 75P is a versatile solution for anyone looking to reduce weight and installation time.

### Specifications

#### Materials:

Band: PEEK per Mil-P-46183 Type I  
Cushion: See Cushion Materials pg.3

#### Flammability:

Per cushion material

#### Temperature Limits:

Per cushion material

#### Fluid Resistance:

Per cushion material

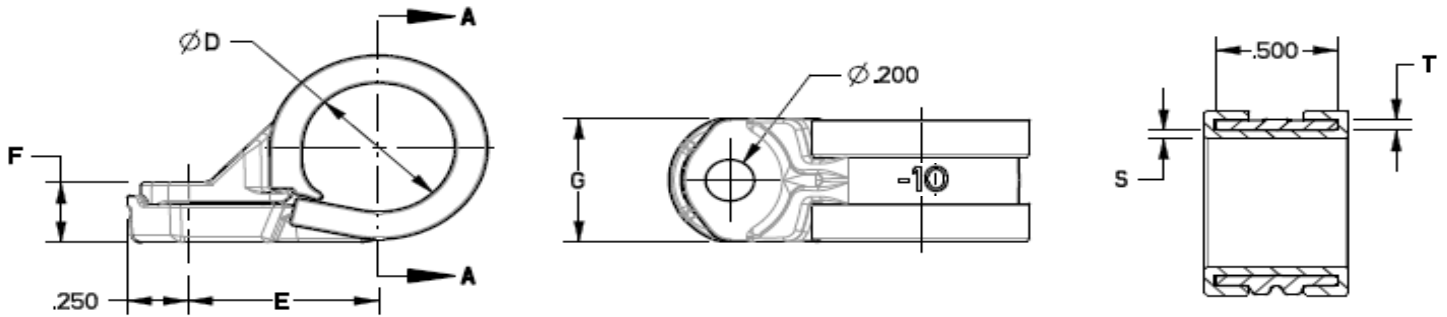
### ALBPCL75P Cushion Materials

Cushions for the 75P Clamp are available in a wide variety of rubber materials, including Ethylene Propylene, Nitrile, Chloroprene, Silicone, and Fluorosilicone. Cushion profile, materials, and color-coding are the same as metal clamps for maximum compatibility with any current application and environment.

EPR (E)	Nitrile (N)	Chloroprene (G)	Silicone (S)	Fluorosilicone (J)

### Cushion Material Codes

Code	Material	Color	Application
E	Ethylene Propylene per AMS 3253	Purple	For use in areas exposed to phosphate ester hydraulic fluid (Skydrol). Excellent ozone resistance. Not resistant to petroleum-based fluids.
N	Nitrile per AMS 3224	Yellow	For use primarily in fuel immersion and with fuel vapors. Good ozone resistance. Not resistant to phosphate ester based fluids. Not for use on titanium tubing.
G	Chloroprene per AMS 3209	Black with Blue Stripe	For general use in areas exposed to petroleum based hydraulic fluids and occasional fuel splash. Excellent ozone resistance. Not resistant to phosphate ester based fluids. Not for use on titanium tubing.
S	Silicone per AMS 3310	White	For elevated temperature usage in areas exposed to phosphate ester and other synthetic fluids. Unaffected by ozone. Not resistant to petroleum based fluids.
J	Fluorosilicone per Mil-R-25988 Type II, Class 1, Grade 60	Blue	For elevated temperature usage in areas exposed to petroleum based fluids. Unaffected by ozone. Not resistant to phosphate ester based fluids.



Part Number	Dash #	ØD		E		F		G		T		S		Weight			
		inch	mm	inch	mm	inch	mm	inch	mm	inch	mm	inch	mm	ounces	grams		
ALBPCL75P02X	-02	.125	3.18	.477	12.12	.160	4.06	.600	15.24	.030	.76	.040	1.02	0.07	1.95		
ALBPCL75P03X	-03	.188	4.78	.518	13.16	.180	4.57			.035	.89			0.08	2.36		
ALBPCL75P04X	-04	.250	6.35	.549	13.94					0.10	2.90						
ALBPCL75P05X	-05	.313	7.95	.580	14.73	.200	5.08			.040	1.02			0.12	3.31		
ALBPCL75P06X	-06	.375	9.53	.612	15.54					0.13	3.67						
ALBPCL75P07X	-07	.438	11.13	.643	16.33	.240	6.10			.050	1.27			0.14	4.04		
ALBPCL75P08X	-08	.500	12.70	.674	17.12					0.16	4.40						
ALBPCL75P09X	-09	.563	14.30	.752	19.10	.280	7.11			.050	1.27			0.19	5.35		
ALBPCL75P10X	-10	.625	15.88	.783	19.89									0.20	5.72		
ALBPCL75P11X	-11	.688	17.48	.834	21.18	.320	8.13							.060	1.52	0.25	7.08
ALBPCL75P12X	-12	.750	19.05	.865	21.97			0.27	7.53								
ALBPCL75P13X	-13	.813	20.65	.897	22.78	.360	9.14	.070	1.78			0.30	8.44				
ALBPCL75P14X	-14	.875	22.23	.928	23.57							0.31	8.89				
ALBPCL75P15X	-15	.938	23.83	.959	24.36							0.33	9.43				
ALBPCL75P16X	-16	1.000	25.40	.990	25.15							0.35	9.89				
ALBPCL75P17X	-17	1.063	27.00	1.022	25.96	.375	9.53					.080	2.03			0.37	10.39
ALBPCL75P18X	-18	1.125	28.58	1.082	27.48											0.39	11.11
ALBPCL75P19X	-19	1.188	30.18	1.113	28.27					0.44	12.47						
ALBPCL75P20X	-20	1.250	31.75	1.144	29.06					0.46	12.97						
ALBPCL75P21X	-21	1.313	33.35	1.176	29.87	.400	10.16			.080	2.03			0.48	13.47		
ALBPCL75P22X	-22	1.375	34.93	1.207	30.66									0.52	14.79		
ALBPCL75P23X	-23	1.438	36.53	1.238	31.45			0.54	15.29								
ALBPCL75P24X	-24	1.500	38.10	1.269	32.23			0.56	15.83								

**U.S. PATENT NOTICE**  
The product specialized in this brochure is covered by U.S. Patent UA9.829.119B2

# SYSTEM ATTACHMENTS

## High Performance P-Clamps



Engineered for lean manufacturing, high performance P-Clamps were developed to replace and out perform traditional P-Clamps and Saddle Clamps. Featuring an overmolded silicone cushion with PEEK polymer, our clamps are completely non-conductive/non-corrosive, lightweight, and very durable.

### Specifications

#### Materials:

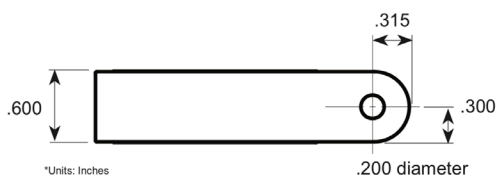
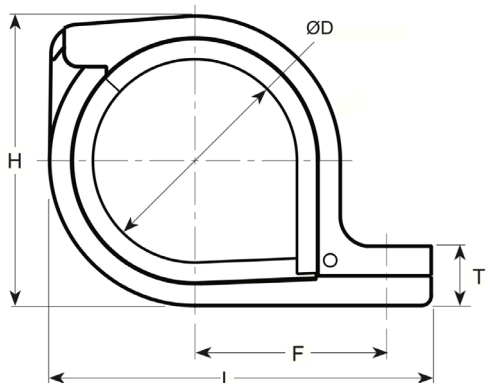
Plastic (Glass-Reinforced): Polyetheretherketone per MIL-P-46183  
Elastomer protection: Silicone Rubber per ASTM-D-2000

#### Temperature Limits:

Operating temperature: -65°F to 350°F (-54°C to +177°C)  
Excursions: Up to 500°F

#### Flamability:

UL94. VO: FAR25.853



\*Units: Inches

Part Number	Size Number	Inner Cushion Diameter (ØD)		F		L		H		T		Weight	
		inch	mm	inch	mm	inch	mm	inch	mm	inch	mm	ounces	grams
PCL150101	101	0.12	3.0	0.59	15.1	1.18	29.9	0.64	16.2	0.18	4.6	0.14	4.08
PCL150102	102	0.22	5.6	0.64	16.3	1.27	32.2	0.71	18.0	0.18	4.6	0.16	4.54
PCL150103	103	0.31	7.9	0.71	18.1	1.41	35.9	0.81	20.6	0.24	6.1	0.22	6.35
PCL150104	104	0.41	10.3	0.76	19.3	1.51	38.3	0.88	22.5	0.24	6.1	0.24	6.80
PCL150105	105	0.50	12.7	0.81	20.5	1.60	40.7	0.96	24.4	0.24	6.1	0.27	7.71
PCL150106	106	0.59	15.1	0.85	21.7	1.70	43.2	1.05	26.8	0.24	6.1	0.29	8.16
PCL150107	107	0.69	17.5	0.93	23.5	1.84	46.7	1.20	30.5	0.30	7.6	0.38	10.89
PCL150108	108	0.78	19.9	0.97	24.7	1.93	49.1	1.32	33.5	0.30	7.6	0.43	12.25
PCL150109	109	0.88	22.2	1.02	25.9	2.03	51.5	1.39	35.3	0.30	7.6	0.45	12.70
PCL150110	110	0.97	24.6	1.07	27.1	2.12	53.8	1.48	37.6	0.30	7.6	0.48	13.61
PCL150111	111	1.06	27.0	1.14	28.9	2.26	57.5	1.62	41.2	0.36	9.1	0.59	16.78
PCL150112	112	1.16	29.4	1.18	30.1	2.36	59.9	1.76	44.7	0.36	9.1	0.64	18.14
PCL150113	113	1.25	31.8	1.23	31.3	2.45	62.3	1.82	46.3	0.36	9.1	0.67	19.05
PCL150114	114	1.34	34.1	1.29	32.8	2.58	65.5	1.93	49.1	0.40	10.0	0.75	21.32
PCL150115	115	1.44	36.5	1.35	34.3	2.69	68.3	2.05	52.0	0.42	10.7	0.85	24.04

## High Performance Omega Clamps



Engineered for lean manufacturing, high performance Omega Clamps were developed to replace and out perform traditional P-Clamps and Saddle Clamps. Featuring an overmolded silicone cushion with PEEK polymer, our clamps are completely non-conductive/non-corrosive, lightweight, and very durable.

### Specifications

#### Materials:

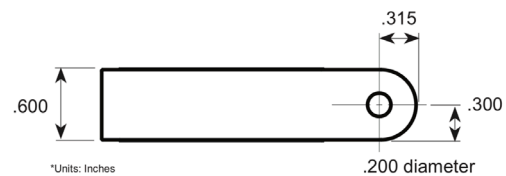
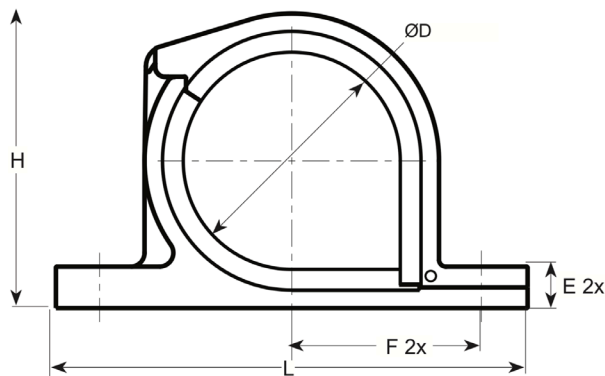
Plastic (Glass-Reinforced): Polyetheretherketone per MIL-P-46183  
Elastomer protection: Silicone Rubber per ASTM-D-2000

#### Temperature Limits:

Operating temperature: -65°F to 350°F (-54°C to +177°C)  
Excursions: Up to 500°F

#### Flamability:

UL94, VO; FAR25.853



Part Number	Size Number	Inner Cushion Diameter (ØD)		F		L		H		E		C		Weight	
		inch	mm	inch	mm	inch	mm	inch	mm	inch	mm	inch	mm	ounces	grams
PCL250008	08	0.45	11.4	0.78	19.8	2.19	55.6	0.91	23.1	0.20	5.1	1.56	39.6	0.32	9.07
PCL250010	10	0.57	14.5	0.84	21.3	2.31	58.7	1.03	26.2	0.20	5.1	1.68	42.7	0.35	9.98
PCL250011	11	0.63	16.0	0.89	22.6	2.42	61.5	1.14	29.0	0.25	6.4	1.79	45.5	0.43	12.32
PCL250012	12	0.70	17.8	0.93	23.6	2.49	63.2	1.21	30.7	0.25	6.4	1.86	47.2	0.46	12.94
PCL250013	13	0.77	19.6	0.96	24.4	2.56	65.0	1.28	32.5	0.25	6.4	1.93	49.0	0.48	13.61
PCL250014	14	0.83	21.1	1.00	25.4	2.62	66.5	1.34	34.0	0.25	6.4	1.99	50.5	0.50	14.06
PCL250015	15	0.89	22.6	1.03	26.2	2.68	68.1	1.40	35.6	0.25	6.4	2.05	52.1	0.53	14.95
PCL250016	16	0.95	24.1	1.08	27.4	2.79	70.9	1.51	38.4	0.30	7.6	2.16	54.9	0.67	19.05
PCL250017	17	1.01	25.7	1.11	28.2	2.85	72.4	1.57	39.9	0.30	7.6	2.22	56.4	0.70	19.96
PCL250018	18	1.07	27.2	1.14	29.0	2.91	73.9	1.63	41.4	0.30	7.6	2.28	57.9	0.72	20.41
PCL250019	19	1.13	28.7	1.17	29.7	2.97	75.4	1.69	42.9	0.30	7.6	2.34	59.4	0.75	21.32
PCL250020	20	1.20	30.5	1.22	31.0	3.07	78.0	1.79	45.5	0.33	8.4	2.44	62.0	0.80	22.68
PCL250021	21	1.26	32.0	1.24	31.5	3.10	78.7	1.82	46.2	0.30	7.6	2.47	62.7	0.80	22.68
PCL250022	22	1.33	33.8	1.27	32.3	3.17	80.5	1.89	48.0	0.30	7.6	2.54	64.5	0.82	23.13
PCL250024	24	1.45	36.8	1.33	33.8	3.29	83.6	2.01	51.1	0.30	7.6	2.66	67.6	0.84	23.80
PCL250025	25	1.51	38.4	1.36	34.5	3.35	85.1	2.07	52.6	0.30	7.6	2.72	69.1	0.90	25.40
PCL250026	26	1.57	39.9	1.39	35.3	3.41	86.6	2.13	54.1	0.30	7.6	2.78	70.6	0.91	25.85
PCL250028	28	1.70	43.2	1.46	37.1	3.57	90.7	2.29	58.2	0.33	8.4	2.91	73.9	1.06	30.16
PCL250032	32	1.95	49.5	1.58	40.2	3.82	97.0	2.54	64.5	0.33	8.4	3.16	80.3	1.17	33.11



# SYSTEM ATTACHMENTS

## High Performance LDG P-Clamps



Amphenol Pcd's LDG P-Clamps use a softer durometer rubber for clamp cushioning, reducing wear and tear on mission-critical cable harnesses without compromising the strength and performance of the clamp. Specifically designed for high performance aerospace cables, such as the MT/MTL product lines, they are easy to use, simple to maintain, and available in 17 different sizes.

### Specifications

#### Materials:

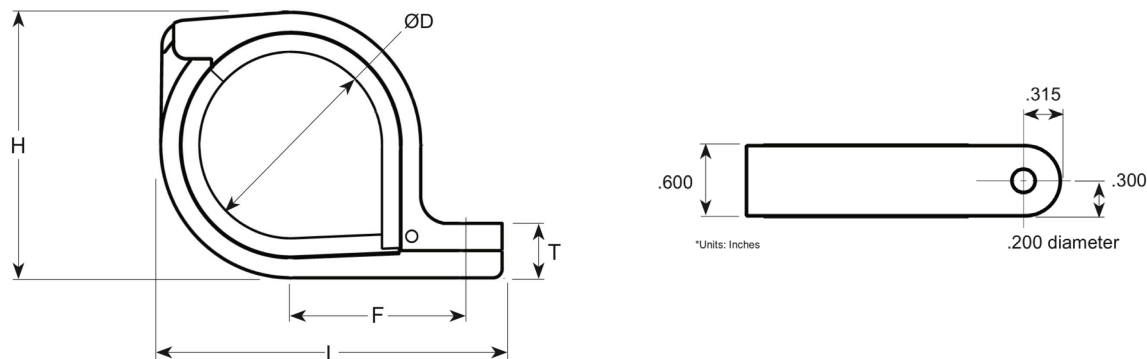
Plastic (Glass-Reinforced): Polyetheretherketone per MIL-P-46183; Black Elastomer protection: Silicone Rubber; 20 durometer Shore A; Light Green

#### Temperature Limits:

Operating temperature: -65°F to 350°F (-54°C to +177°C)  
Excursions: Up to 500°F

#### Flamability:

Clamp base: UL94, VO; FAR25.853  
Cushion: Meets UL94, HB



Part Number	Size Number	Inner Cushion dia. (ØD)		MIN. Cable Size		MAX. Cable Size		F		L		H		T		Weight	
		inch	mm	inch	mm	inch	mm	inch	mm	inch	mm	inch	mm	inch	mm	ounces	grams
PCL400100	100	0.030	.76	0.060	1.52	0.190	4.83	0.59	15.1	1.18	29.9	0.64	16.2	0.18	4.6	0.15	4.30
PCL400101	101	0.125	3.18	0.155	3.94	0.248	6.30	0.59	15.1	1.18	29.9	0.64	16.2	0.18	4.6	0.14	4.08
PCL400102	102	0.219	5.56	0.249	6.32	0.342	8.69	0.64	16.3	1.27	32.2	0.71	18.0	0.18	4.6	0.16	4.54
PCL400103	103	0.313	7.95	0.343	8.71	0.436	11.07	0.71	18.1	1.41	35.9	0.81	20.6	0.24	6.1	0.22	6.35
PCL400104	104	0.407	10.34	0.437	11.1	0.530	13.46	0.76	19.3	1.51	38.3	0.88	22.5	0.24	6.1	0.24	6.80
PCL400105	105	0.501	12.73	0.531	13.49	0.623	15.82	0.81	20.5	1.60	40.7	0.96	24.4	0.24	6.1	0.27	7.71
PCL400106	106	0.594	15.09	0.624	15.85	0.718	18.24	0.85	21.7	1.70	43.2	1.05	26.8	0.24	6.1	0.29	8.16
PCL400107	107	0.689	17.5	0.719	18.26	0.811	20.60	0.93	23.5	1.84	46.7	1.20	30.5	0.30	7.6	0.38	10.89
PCL400108	108	0.782	19.86	0.812	20.62	0.905	22.99	0.97	24.7	1.93	49.1	1.32	33.5	0.30	7.6	0.43	12.25
PCL400109	109	0.876	22.25	0.906	23.01	0.998	25.35	1.02	25.9	2.03	51.5	1.39	35.3	0.30	7.6	0.45	12.70
PCL400110	110	0.969	24.61	0.999	25.37	1.092	27.74	1.07	27.1	2.12	53.8	1.48	37.6	0.30	7.6	0.48	13.61
PCL400111	111	1.063	27.00	1.093	27.76	1.186	30.12	1.14	28.9	2.26	57.5	1.62	41.2	0.36	9.1	0.59	16.78
PCL400112	112	1.157	29.39	1.187	30.15	1.280	32.51	1.18	30.1	2.36	59.9	1.76	44.7	0.36	9.1	0.64	18.14
PCL400113	113	1.251	31.78	1.281	32.54	1.373	34.87	1.23	31.3	2.45	62.3	1.82	46.3	0.36	9.1	0.67	19.05
PCL400114	114	1.344	34.14	1.374	34.9	1.467	37.26	1.29	32.8	2.58	65.5	1.93	49.1	0.40	10.0	0.75	21.32
PCL400115	115	1.438	36.53	1.468	37.29	1.561	39.65	1.35	34.3	2.69	68.3	2.05	52.0	0.42	10.7	0.85	24.04
PCL400116	116	1.532	38.91	1.562	39.67	1.655	42.04	1.39	35.3	2.78	70.6	2.14	54.3	0.42	10.7	0.92	26.04



## Light Weight C-Clamps (CC1339L)



Amphenol's pre-mountable C-Clamps (Cable Clamps) provide routing, support and fixing for cable harnesses of various diameters. They are used in the wing sections of aircrafts, in the fuselage for power and electrical cables, as well as inside the cabin for in-flight entertainment or cabin service systems. Different materials and configurations are available depending on the temperature and routing of the conduits (including versions for use inside the fuel tank).

- Non conductive/ non corrosive
- Overmolded

### Specifications

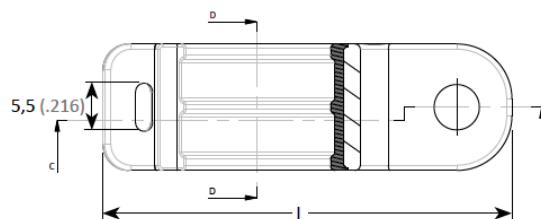
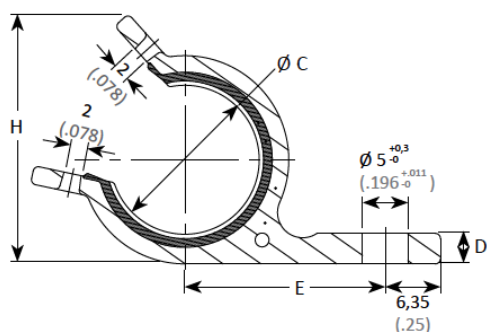
**Materials:**  
Thermoplastic  
Elastomer protection : Silicone



**Temperature Limits:**  
Operating temperature: -55°C to +150°C

**Flammability:**  
Conforms to ABD0031 standard

**Fluid Resistance:**  
Spray tests: Fuels, hydraulic fluids, lubrication oils, cleaning fluids, de-icing fluids, insecticides



AALBF PN	Cushion Color	Size	Diameter (ØD)	E		L		H		D		Weight	
				inch	mm	inch	mm	inch	mm	inch	mm	grams	ounces
003262 101 00	Brown	01	0.2-0.28	0.67	17.018	1.37	34.798	0.61	15.494	.14	3.556	2.1	0.07
003262 111 00	Blue												
003262 102 00	Brown	02	0.28-0.4	0.73	18.542	1.49	37.846	0.74	18.796	.14	3.556	2.5	0.09
003262 112 00	Blue												
003262 103 00	Brown	03	0.4-0.55	0.80	20.32	1.63	41.402	0.91	23.114	.14	3.556	3.2	0.11
003262 113 00	Blue												
003262 104 00	Brown	04	0.55-0.77	0.91	23.114	1.87	47.498	1.14	28.956	.14	3.556	4.0	0.14
003262 114 00	Blue												
003262 105 00	Brown	05	0.77-1.05	1.05	26.67	2.14	54.356	1.42	36.068	.14	3.556	5.3	0.19
003262 115 00	Blue												
003262 106 00	Brown	06	1.05-1.38	1.22	30.988	2.47	62.738	1.77	44.958	.23	5.842	8.3	0.29
003262 116 00	Blue												
003262 107 00	Brown	07	1.38-1.77	1.42	36.068	2.85	72.39	2.16	54.864	.33	8.382	11.5	0.41
003262 117 00	Blue												
003262 108 00	Brown	08	1.55-1.88	1.57	39.878	2.86	72.644	2.50	63.5	.32	8.128	14.6	0.51
003262 118 00	Blue												

# SYSTEM ATTACHMENTS

## C-Clamps 5516



Amphenol's pre-mountable C-Clamps (Cable Clamps) provide routing, support and fixing for cable harnesses of various diameters. They are used in the wing sections of aircrafts, in the fuselage for power and electrical cables, as well as inside the cabin for in-flight entertainment or cabin service systems. Different materials and configurations are available depending on the temperature and routing of the conduits (including versions for use inside the fuel tank).

- Non conductive/ non corrosive
- Overmolded

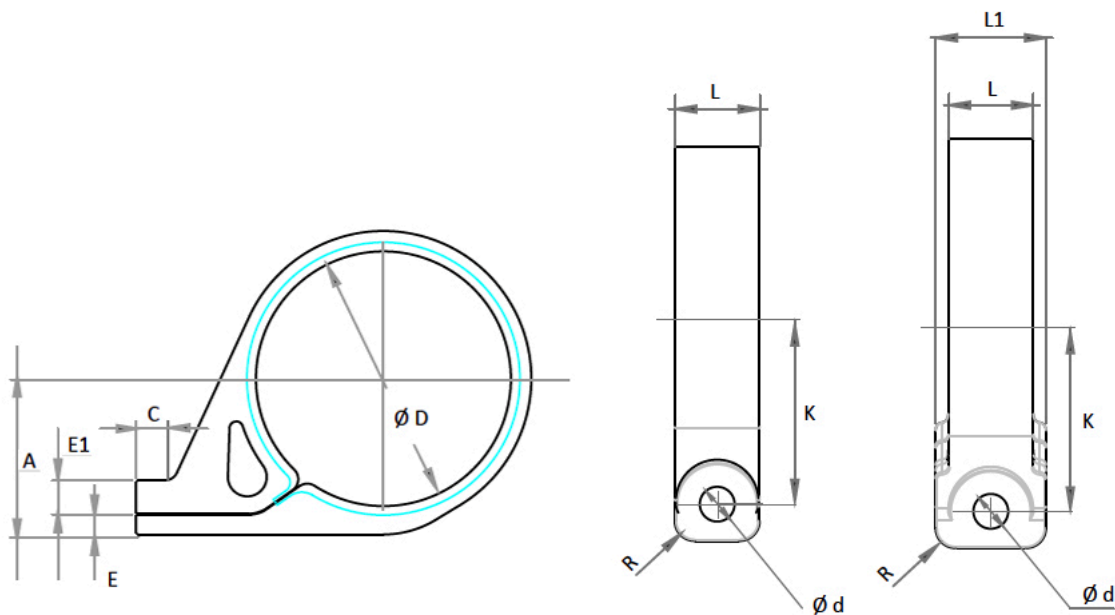
### Specifications

**Materials:**  
Thermoplastic  
Silicone

**Temperature Limits:**  
Operating temperature: -55°C to +255°C

**Flammability:**  
Conforms to ABD0031 standard

**Fluid Resistance:**  
Spray tests: Fuels, hydraulic fluids, oils, cleaning fluids, de-icing fluids, insecticides



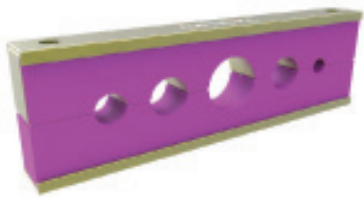
Sizes 02 to 41

Sizes 42 to 61

Part Number	Size	Bundle/ Pipe	A		K		C	E	E1	R	L	L1	Ø d	Weight
CC5516A02	02	3 (.118)	4.5 (.177)	"± 0.3 (± .012)"	11.6 (.457)	"± 0.5 (± .020)"	"5.5 (.217)"			3 ±0.2 (.118 ±.008)	13.1 (.516)	-	"5.5 (.217)"	1.5
CC5516A03	03	4 (.157)	5.3 (.209)		12.1 (.476)									1.6
CC5516A04	04	5 (.197)	5.8 (.228)		12.6 (.496)									1.8
CC5516A06	06	6.3 (.248)	6.6 (.260)	13.4 (.528)	2.05									
CC5516A07	07	7 (.276)	6.8 (.268)	13.6 (.535)	2.1									
CC5516A08	08	8 (.315)	7.3 (.287)	14.1 (.555)	2.25									
CC5516A10	10	9.5 (.374)	8.1 (.319)	14.9 (.587)	2.5									
CC5516A12	12	11 (.433)	8.8 (.346)	15.6 (.614)	2.7									
CC5516A13	13	12 (.472)	9.3 (.366)	16.1 (.634)	2.85									
CC5516A14	14	12.7 (.500)	9.8 (.386)	16.6 (.654)	3									
CC5516A15	15	14 (.551)	10.3 (.406)	18.9 (.744)	3.4									
CC5516A17	17	15 (.591)	10.8 (.425)	19.4 (.764)	3.55									
CC5516A18	18	15.9 (.626)	11.3 (.445)	19.9 (.783)	3.9									
CC5516A19	19	17 (.669)	11.8 (.465)	20.4 (.803)	4.1									
CC5516A21	21	18 (.709)	12.3 (.484)	20.9 (.823)	4.2									
CC5516A22	22	19 (.748)	12.8 (.504)	21.3 (.839)	4.35									
CC5516A23	23	20 (.787)	13.3 (.524)	21.9 (.862)	4.7									
CC5516A25	25	22 (.866)	14.3 (.563)	22.9 (.902)	5									
CC5516A27	27	24 (.945)	15.3 (.602)	23.9 (.941)	5.35									
CC5516A29	29	25.4 (1.000)	15.8 (.622)	24.4 (.961)	5.5									
CC5516A31	31	28 (1.102)	18.3 (.720)	26.4 (1.039)	7.15									
CC5516A33	33	30 (1.181)	19.3 (.760)	27.4 (1.079)	7.55									
CC5516A35	35	31.8 (1.252)	20.3 (.799)	28.4 (1.118)	8									
CC5516A37	37	34 (1.339)	21.3 (.839)	29.4 (1.157)	8.9									
CC5516A39	39	36 (1.417)	22.3 (.878)	30.4 (1.197)	9.35									
CC5516A41	41	38.1 (1.500)	23.3 (.917)	31.4 (1.236)	9.8									
CC5516A42	42	40 (1.575)	24.3 (.957)	32.4 (1.276)	11.15									
CC5516A44	44	42 (1.654)	25.3 (.996)	33.4 (1.315)	11.6									
CC5516A46	46	44 (1.732)	26.3 (1.035)	34.4 (1.354)	12.4									
CC5516A48	48	46 (1.811)	27.3 (1.075)	35.4 (1.394)	12.8									
CC5516A49	49	48 (1.890)	28.3 (1.114)	36.4 (1.433)	13.35									
CC5516A51	51	50.8 (2.000)	29.8 (1.173)	37.9 (1.492)	14.05									
CC5516A53	53	52 (2.047)	30.3 (1.193)	38.4 (1.512)	14.2									
CC5516A55	55	54 (2.126)	31.3 (1.232)	39.4 (1.551)	14.7									
CC5516A57	57	56 (2.205)	32.3 (1.272)	40.4 (1.591)	15.2									
CC5516A59	59	58 (2.283)	33.3 (1.311)	41.4 (1.630)	15.7									
CC5516A61	61	60 (2.362)	34.3 (1.350)	42.4 (1.669)										
				"± 0.8 (± .031)"		"± 0.8 (± .031)"								

# SYSTEM ATTACHMENTS

## Fairlead Blocks

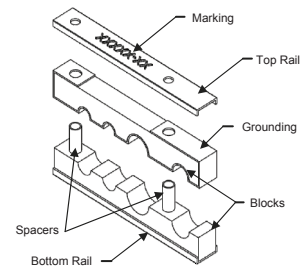
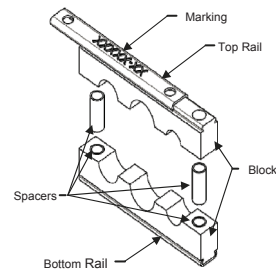
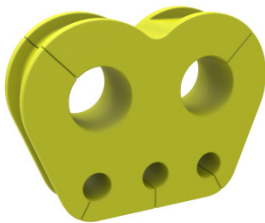


Designed to ensure that pipes and tubes are properly secured throughout their entire length, Amphenol Pcd's Fairlead Blocks provide stability against surges and vibration and are available in multiple materials depending on required chemical environment. Our blocks accommodate a wide range of tube diameters and the products can be supplied with all-captive components, eliminating loose parts and potential FOD.

### Specifications

- High Performance Materials: Strong, Durable & Lightweight
- All-Captive Components: Lean manufacturing; reduces costs
- Design & Engineering: Prevents wire and tube chaffing; protects against surges and harsh vibration
- Fairlead blocks are custom-built to order

## Customer Fairlead Blocks

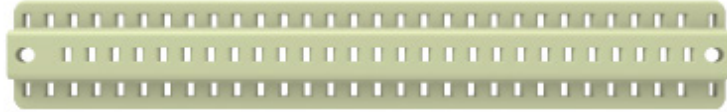


Rails/Spacers Specifications		
Materials	Coating	Application
Aluminum Alloy 6061-T6 or 2024-T3	Chemical Conversion Coating per MIL-C-5541 Class 1A	Light Duty
Stainless Steel per ASTMA109	Cadmium Plate per QQ-P416, TYPE II Class I	High Performance
Carbon Fiber Composite	Contact Amphenol Pcd for availability and information	

Cushion Block Specifications				
Materials	Specifications			
	Temperature Range	Chemical Resistance	Color	Duro
Ethylene Propylene Rubber (EPR)	-65°F to 275°F (-54°C to 135°C)	Areas exposed to Skydrol	Purple	55-75
Nitrile Butadiene (Buna-N)		Fuel Tank Application	Yellow	
Silicone		Fire Resistant, Low smoke, Low toxicity requirements	-	
Fluorosilicone	-65°F to 500°F (-54°C to 260°C)	High temperature areas; Engine Applications	-	

# Hat Supports

Designed to secure and guide wire bundles throughout an aircraft, Amphenol Pcd's Hat Supports are designed for lean manufacturing and durability. Built in a one-piece, lightweight design with multiple fixing points, the high performance products are strong, durable and make wire bundle installation and maintenance easy. They are able to support large bundles and high stress requirements.



## Specifications

### Materials:

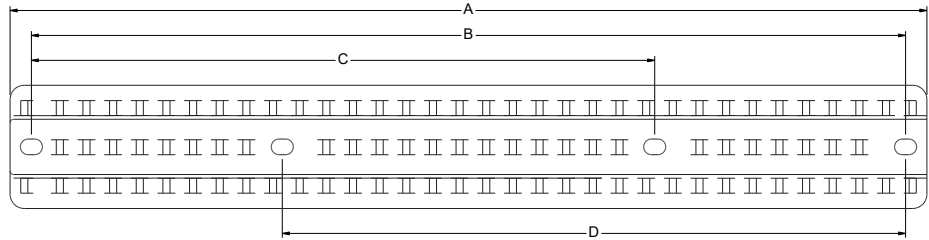
Nylon per ASTM-D-4066 PA0121  
Elastomer protection: Brown Silicon or Blue Fluorosilicone

### Temperature Limits:

Long-term exposure: 167°F (75°C)  
Short-term exposure: 248°F (120°C)

### Flammability:

FAR 25.853



Part Number	A Length		B Length		C Length		D Length		Weight	
	inch	mm	inch	mm	inch	mm	inch	mm	grams	ounces
ALBCBS 312 59-01	8.90	226.1	8.30	210.8	-	-	-	-	0.10	45.8
ALBCBS 312 59-02	9.15	232.4	6.70	170.2	-	-	-	-	0.10	47.1
ALBCBS 312 59-03	9.90	251.5	9.30	236.2	-	-	-	-	0.11	50.9
ALBCBS 312 59-04	5.40	137.2	2.94	74.7	-	-	-	-	0.061	27.8
ALBCBS 312 59-05	8.40	213.4	7.80	198.1	-	-	-	-	0.095	43.2
ALBCBS 312 59-06	9.53	242.1	6.10	154.9	-	-	-	-	0.11	49.0
ALBCBS 312 59-07	8.00	203.2	7.40	188.0	-	-	-	-	0.091	41.2
ALBCBS 312 59-08	7.65	194.3	4.80	121.9	-	-	-	-	0.09	39.4
ALBCBS 312 59-09	6.90	175.3	6.30	160.0	-	-	-	-	0.08	35.5
ALBCBS 312 59-10	6.10	154.9	5.50	139.7	3.78	96.0	-	-	0.07	31.4
ALBCBS 312 59-11	12.90	327.7	12.30	312.4	-	-	-	-	0.15	66.4
ALBCBS 312 59-12	8.10	205.7	7.30	185.4	6.15	156.2	-	-	0.09	41.7
ALBCBS 312 59-13	7.70	195.6	7.10	180.3	-	-	-	-	0.09	39.6
ALBCBS 312 59-14	12.78	324.6	9.00	228.6	-	-	-	-	0.15	65.7
ALBCBS 312 59-15	11.40	289.6	10.80	274.3	-	-	-	-	0.13	58.6
ALBCBS 312 59-16	6.90	175.3	4.65	118.1	3.94	100.1	-	-	0.08	35.5
ALBCBS 312 59-17	4.54	115.3	3.94	100.1	-	-	-	-	0.05	23.4
ALBCBS 312 59-18	8.40	213.4	5.75	146.1	-	-	-	-	0.09	43.2
ALBCBS 312 59-19	7.19	182.6	6.59	167.4	-	-	-	-	0.08	37.0
ALBCBS 312 59-21	10.40	264.2	9.80	248.9	-	-	-	-	0.12	53.5
ALBCBS 312 59-23	11.30	287.0	10.70	271.8	-	-	-	-	0.13	58.1
ALBCBS 312 59-25	7.38	187.5	6.78	172.2	-	-	-	-	0.08	38.0
ALBCBS 312 59-27	6.20	157.5	5.60	142.2	-	-	-	-	0.07	31.9
ALBCBS 312 59-29	9.37	238.0	8.77	222.8	-	-	-	-	0.11	48.2
ALBCBS 312 59-31	8.10	205.7	7.50	190.5	-	-	-	-	0.09	41.7
ALBCBS 312 59-35	6.40	162.6	5.80	147.3	-	-	-	-	0.07	32.9
ALBCBS 312 59-36	6.10	154.9	5.50	139.7	-	-	-	-	0.07	31.4
ALBCBS 312 59-37	12.90	327.7	12.30	312.4	8.77	222.8	8.77	222.8	0.15	66.4
ALBCBS 312 59-38	3.54	89.9	2.94	74.7	-	-	-	-	0.04	19.5
ALBCBS 312 59-39	7.65	194.3	5.75	146.1	-	-	-	-	0.08	34.5
ALBCBS 312 59-40	5.72	145.3	4.31	109.4	-	-	-	-	0.07	31.4
ALBCBS 312 59-42	5.40	137.2	4.57	116.1	2.94	74.7	3.94	100.1	0.06	27.8

# SYSTEM ATTACHMENTS

## Harness Supports

Designed to secure and guide wire bundles throughout an aircraft, Amphenol Pcd's Harness Supports are designed for lean manufacturing and durability. Built in a one-piece, lightweight design with multiple fixing points, the high performance products are strong, durable and make wire bundle installation and maintenance easy. They are able to support large bundles and high stress requirements.

### Specifications

#### Materials:

Nylon per ASTM-D-4066 PA0121

Elastomer protection: Brown Silicon or Blue Fluorosilicone

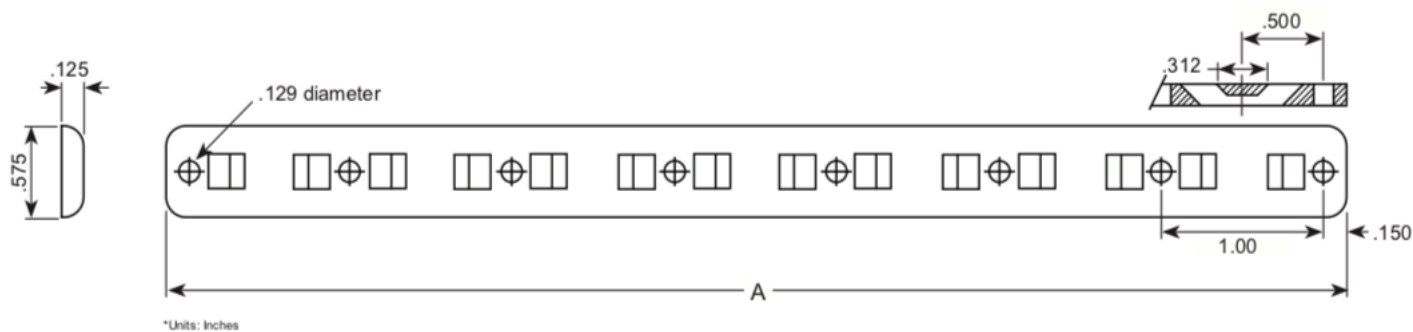
#### Temperature Limits:

Long-term exposure: 167°F (75°C)

Short-term exposure: 248°F (120°C)

#### Flammability:

FAR 25.853



Part Number	A Length		Maximum Weight		① Fixing Points
	inch	mm	ounces	grams	
ALBCBS 303 59-1	1.30	33.02	0.04	1.08	1
ALBCBS 303 59-3	2.30	58.42	0.07	1.86	2
ALBCBS 303 59-5	3.30	83.82	0.09	2.63	3
ALBCBS 303 59-7	4.30	109.22	0.14	3.90	4
ALBCBS 303 59-9	5.30	134.62	0.15	4.17	5
ALBCBS 303 59-11	6.30	160.02	0.18	4.99	6
ALBCBS 303 59-13	7.30	185.42	0.20	5.80	7
ALBCBS 303 59-15	8.30	210.82	0.23	6.58	8
ALBCBS 303 59-17	9.30	236.22	0.26	7.39	9
ALBCBS 303 59-19	10.30	261.62	0.29	8.16	10
ALBCBS 303 59-21	11.30	287.02	0.32	8.98	11
ALBCBS 303 59-23	12.30	312.42	0.35	9.80	12

## Harness Supports

Designed to secure and guide wire bundles throughout an aircraft, Amphenol Pcd's Harness Supports are designed for lean manufacturing and durability. Built in a one-piece, lightweight design with multiple fixing points, the high performance products are strong, durable and make wire bundle installation and maintenance easy. They are able to support large bundles and high stress requirements.

### Specifications

#### Materials:

Nylon per ASTM-D-4066 PA0121

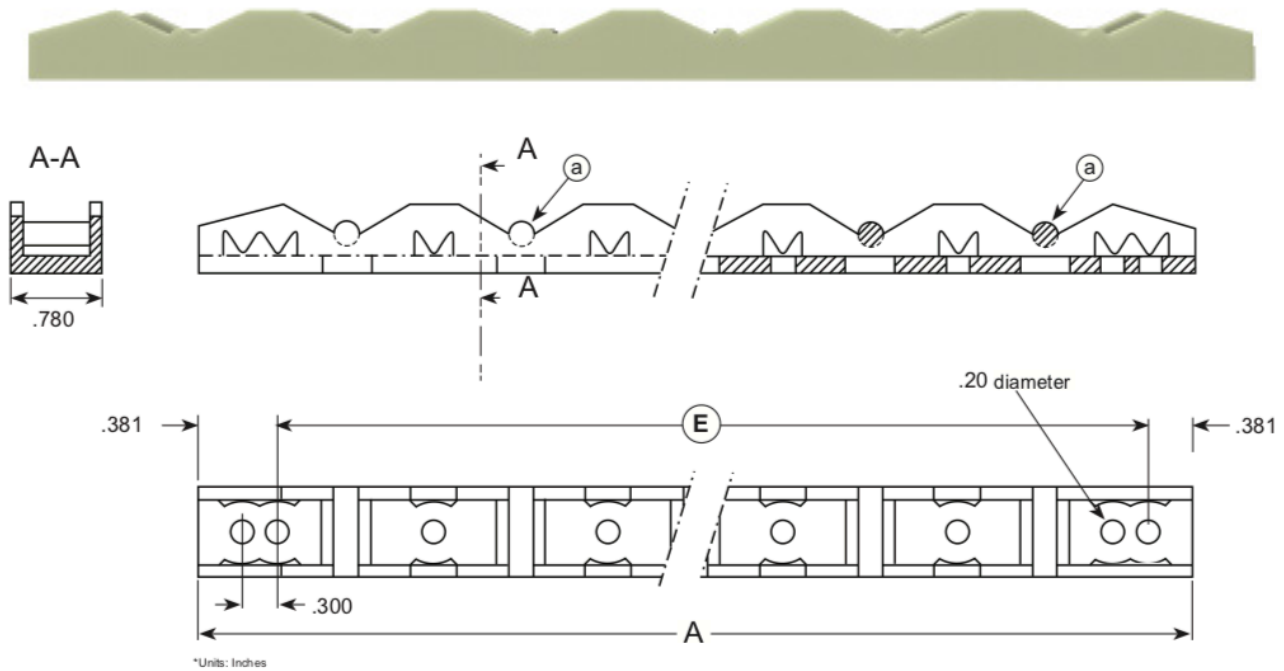
Elastomer protection: Brown Silicon or Blue Fluorosilicone

#### Temperature Limits:

Long-term exposure: 167°F (75°C)

#### Flamability:

FAR 25.853



Part Number	A Length		E Fixing		Maximum Weight		Ⓐ Fixing Points
	inch	mm	inch	mm	ounces	grams	
ALBCBS 020 59-11	13.05	331.47	11.59	294.386	2.56	72.6	8
ALBCBS 020 59-13	11.55	293.37	10.09	256.286	2.24	63.5	7
ALBCBS 020 59-15	10.05	255.27	8.59	218.186	1.92	54.4	6
ALBCBS 020 59-17	8.55	217.17	7.09	180.086	1.60	45.4	5
ALBCBS 020 59-19	7.05	179.07	5.59	141.986	1.28	36.3	4



# SYSTEM ATTACHMENTS

## Harness Supports

Designed to secure and guide wire bundles throughout an aircraft, Amphenol Pcd's Harness Supports are designed for lean manufacturing and durability. Built in a one-piece, lightweight design with multiple fixing points, the high performance products are strong, durable and make wire bundle installation and maintenance easy. They are able to support large bundles and high stress requirements.

### Specifications

#### Materials:

Nylon per ASTM-D-4066 PA0121

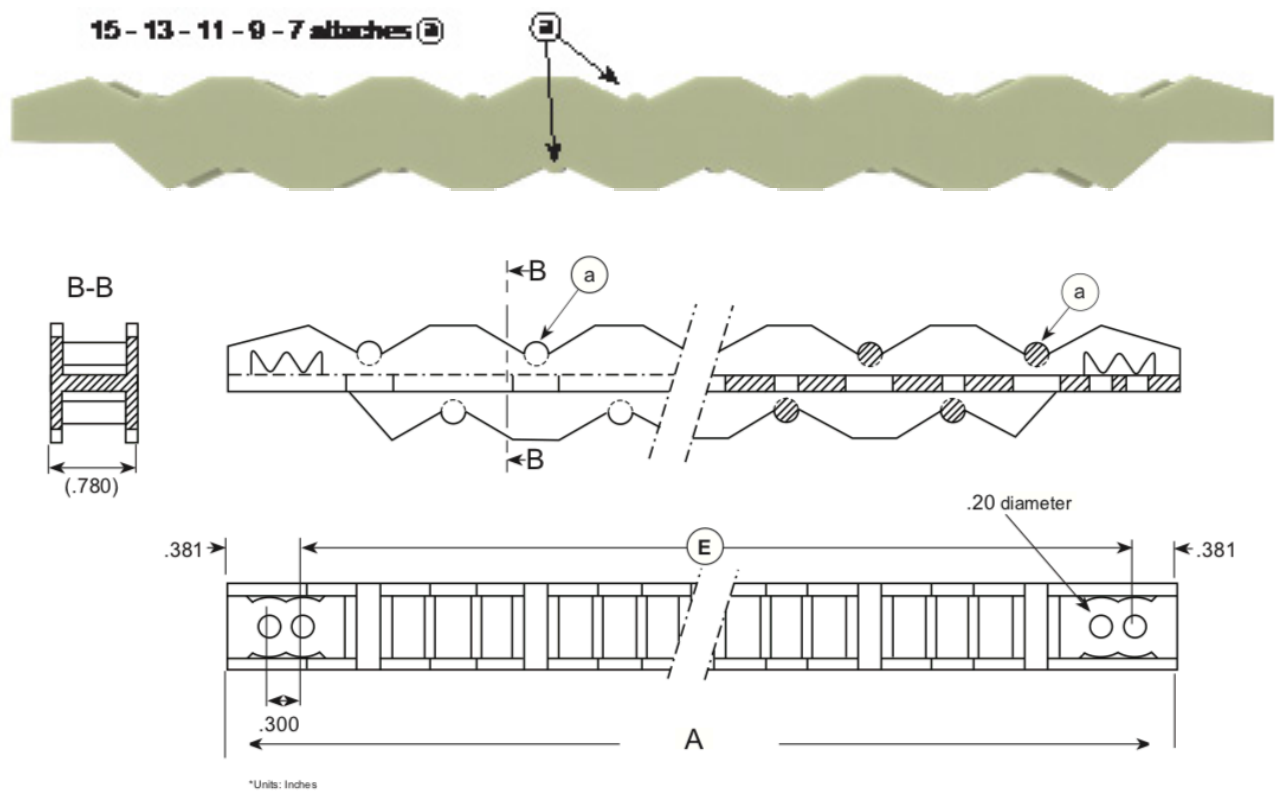
Elastomer protection: Brown Silicon or Blue Fluorosilicone

#### Temperature Limits:

Long-term exposure: 167°F (75°C)

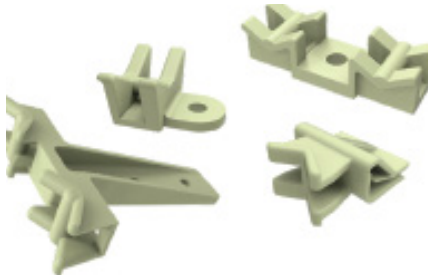
#### Flamability:

FAR 25.853



Part Number	A Length		E Fixing		Maximum Weight		(a) Fixing Points
	inch	mm	inch	mm	ounces	grams	
ALBCBS 030 59-21	13.05	331.47	11.59	294.386	2.08	59.0	15
ALBCBS 030 59-23	11.55	293.37	10.09	256.286	1.76	49.9	13
ALBCBS 030 59-25	10.05	255.27	8.59	218.186	1.60	45.4	11
ALBCBS 030 59-27	8.55	217.17	7.09	180.086	1.28	36.3	9
ALBCBS 030 59-29	7.05	179.07	5.59	141.986	0.96	27.3	7

## Cable Supports



Amphenol Pcd's Cable Supports are designed to fix to the aircraft's airframe, helping to secure and manage cable harnesses as they run throughout the aircraft body. They are offered in nylon and are designed for use in airframe, fuel tank, and engine applications. Available in various standard configurations and sizes, Amphenol Pcd also offers customized products to help meet specific customer requirements.

### Specifications

#### Materials:

Nylon per ASTM-D-4066 PA0121

Elastomer protection: Brown Silicon or Blue Fluorosilicone

#### Environment:

Operating temperature: -67°F to +275°F (-55°C to +135°C)

#### Flammability:

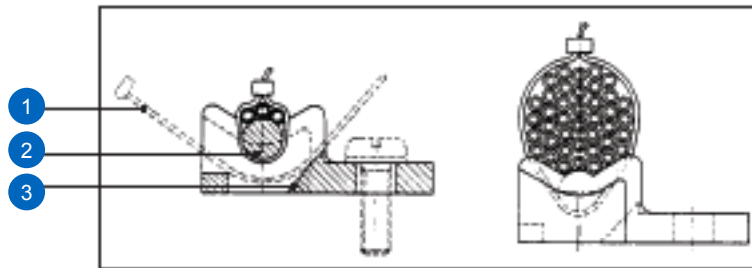
To meet FAR 25.853 AMTD 25-853 (a) and ADB0031

#### Fluid Resistance:

ASTM D 543, MIL-T-81533, TT-T-266, TT-M-261, ASTM D 1635, MIL-T-5624, MIL-T-83133



### Application



- 1 Cable tie
- 2 Cylindrical support: guides the cables, ensures optimal fixing
- 3 Ramp: to ease quick feed-in of cable tie

### User Warning

- Eliminates any dehydration agent in storage.
- If the piece regains its humidity, this may cause a coloration of the material.
- Surface coloration does not affect technical properties of the material.
- Wiring accessories conform to ROHS and REACH requirements.

# SYSTEM ATTACHMENTS

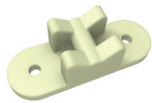
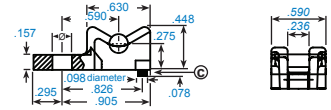
## Cable Supports

### Straight Supports

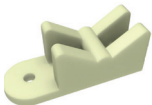
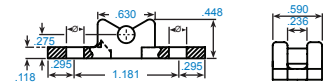
#### Single



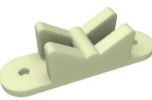
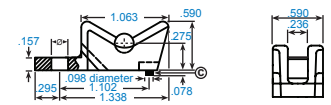
Ø Wiring (Min -Max )	Part Number Without Block	Part Number With Block	Weight (g.)	Hole Ø (in.)
0.08-0.59	003261 100 59	003261 150 59	2.2	0.2
	003261 200 59	003261 250 59		



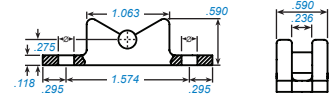
Ø Wiring (Min -Max )	Part Number Without Block	Part Number With Block	Weight (g.)	Hole Ø (in.)
0.08-0.59	ALBCBS 001 05	-	3	0.13



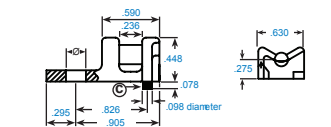
Ø Wiring (Min -Max )	Part Number Without Block	Part Number With Block	Weight (g.)	Hole Ø (in.)
0.08-0.59	003261 102 59	003261 152 59	2.2	0.2
	003261 202 59	003261 252 59		0.13



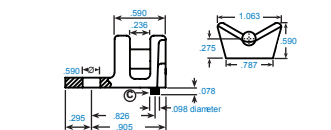
Ø Wiring (Min -Max )	Part Number Without Block	Part Number With Block	Weight (g.)	Hole Ø (in.)
0.08-1.18	003261 127 59	-	4.5	0.2
	003261 227 59			0.13
	ALBCBS 001 06			



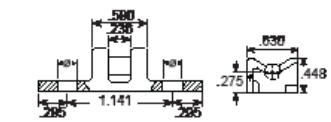
Ø Wiring (Min -Max )	Part Number Without Block	Part Number With Block	Weight (g.)	Hole Ø (in.)
0.08-0.59	003261 114 59	003261 164 59	2.2	0.2
	003261 113 59	003261 163 59		0.13



Ø Wiring (Min -Max )	Part Number Without Block	Part Number With Block	Weight (g.)	Hole Ø (in.)
0.08-0.59	003261 118 59	003261 168 59	3.2	0.2
	003461 117 59	003261 167 59		0.13



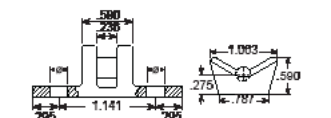
Ø Wiring (Min -Max )	Part Number Without Block	Part Number With Block	Weight (g.)	Hole Ø (in.)
0.08-0.59	003261 173 59	-	3	0.13
	003261 203 59		4.2	



#### Double



Ø Wiring (Min -Max )	Part Number Without Block	Part Number With Block	Weight (g.)	Hole Ø (in.)
0.08-0.59	003261 101 59	003261 151 59	3.7	0.2
	003261 201 59	003261 251 59		0.13



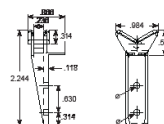
# Cable Supports

## Angled Supports

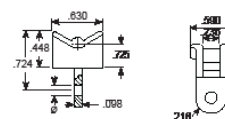
### Single



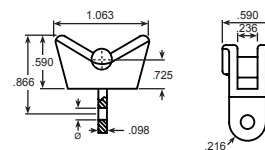
Ø Wiring (Min -Max )	Part Number	Weight (oz.)	Hole Ø (mm)	X
0.08-0.59	003261 501 59	3.64	.125	-
	003261 511 59	3.62	.137	



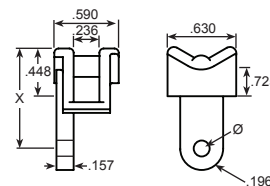
Ø Wiring (Min -Max )	Part Number	Weight (g.)	Hole Ø (in.)	X
0.08-0.59	003261 115 59	1.7	.13	-



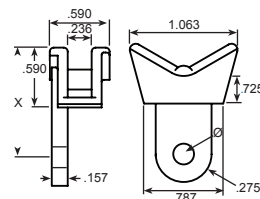
Ø Wiring (Min -Max )	Part Number	Weight (g.)	Hole Ø (in.)	X
0.08-1.18	003261 116 59	2.4	.13	-



Ø Wiring (Min -Max )	Part Number	Weight (g.)	Hole Ø (in.)	X
0.08-0.59	003261 111 59	1.8	.129	.724
	003261 109 59	2		.941
	003261 131 59	1.8	.204	.767
	003261 129 59	2		.984
	003261 121 59	1.8	.216	.767
	003261 119 59	2		.984



Ø Wiring (Min -Max )	Part Number	Weight (g.)	Hole Ø (in.)	X
0.08-1.18	003261 210 59	3	.129	.866
	003261 110 59	3.3		1.102
	003261 230 59	3	.204	.866
	003261 130 59	3.3		1.102
	003261 220 59	3	.216	.866
	003261 120 59	3.3		1.102

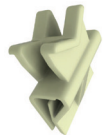




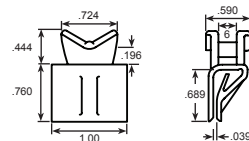
# Cable Supports

## Stringer Supports

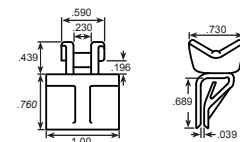
### Clamping Supports



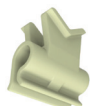
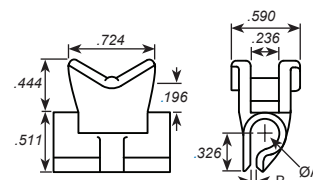
Ø Wiring (Min -Max )	Part Number	Weight (g.)
0.08-0.59	ALBCBS 310 59-01	3.4



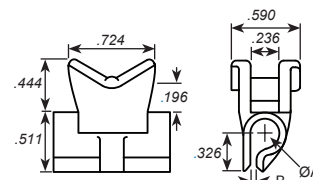
Ø Wiring (Min -Max )	Part Number	Weight (g.)
0.08-0.59	ALBCBS 310 59-02	3.4



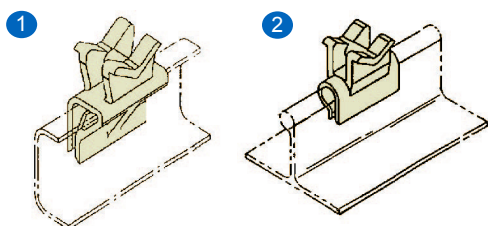
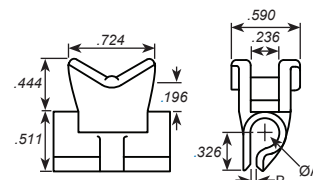
Ø Wiring (Min -Max )	Part Number Without Block	Color	Weight (g.)	Ø A (in.)	Ø B (in.)
0.08-0.59	ALBCBS 304 59-01	Green	2.86	0.200	0.2



Ø Wiring (Min -Max )	Part Number Without Block	Color	Weight (g.)	Ø A (in.)	Ø B (in.)
0.08-0.59	ALBCBS 304 59-03	White	2.99	0.250	0.13



Ø Wiring (Min -Max )	Part Number Without Block	Color	Weight (g.)	Ø A (in.)	Ø B (in.)
0.08-0.59	ALBCBS 304 59-07	Grey	3.44	0.280	0.13



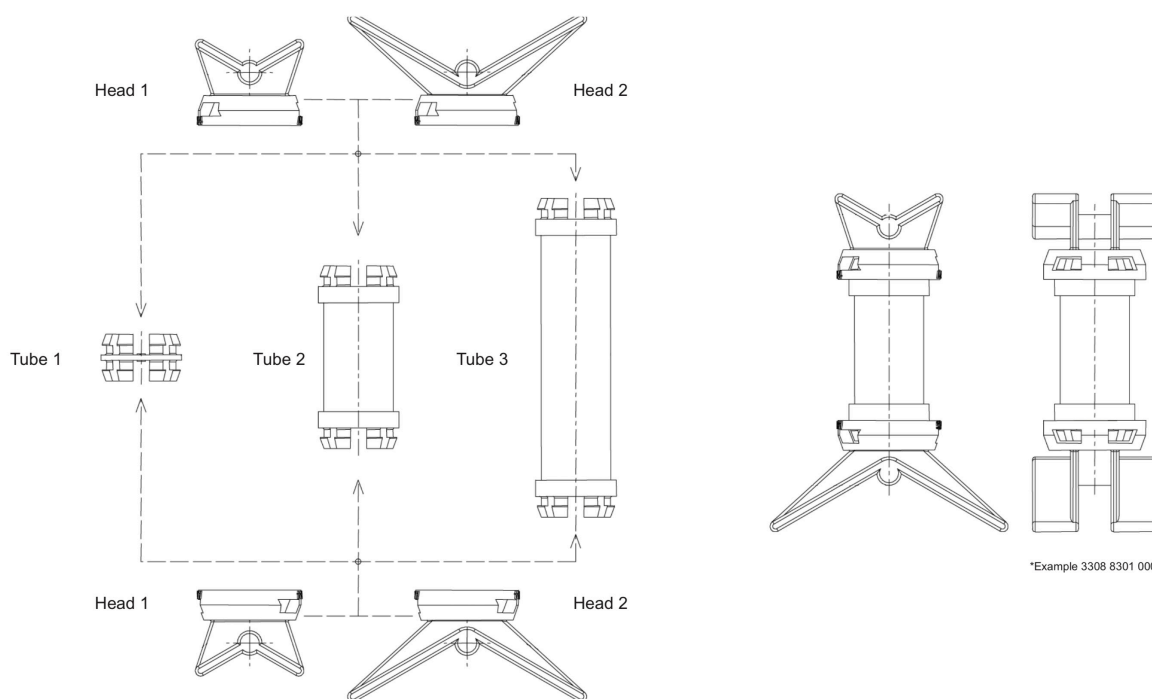
- 1 Angled Support
- 2 Straight Support

# SYSTEM ATTACHMENTS

## Cable Separators



Amphenol's Cable Separators are used to help separate cable harnesses from one another, aiding in organizing cable routing throughout the aircraft. Available in either Nylon or PEEK material, they maintain clearance between two parallel or crossing cable harnesses preventing wire abrasion. Nine different versions are available and they are qualified to Airbus standard ABS1144. Different material upon request.



Air LB P/N	Airbus P/N	Number of Parts					Max Bundle Diameter		Length		Weight (+/- 10%)	
		Head 1	Head 2	Tube 1	Tube 2	Tube 3	inch	mm	inch	mm	grams	ounces
3308 8301 000	ABS1144A25A	2	-	1	-	-	0.63	16	0.98	24.892	4.65	0.16
3308 8302 000	ABS1144A50A	2	-	-	1	-			1.97	50.038	6.33	0.22
3308 8303 000	ABS1144A75A	2	-	-	-	1			2.95	74.93	7.81	0.28
3308 8304 000	ABS1144B25A	-	2	1	-	-	1.77	44.96	0.98	24.892	6.96	0.246
3308 8305 000	ABS1144B50A	-	2	-	1	-			1.97	50.038	8.63	0.30
3308 8306 000	ABS1144B75A	-	2	-	-	1			2.95	74.93	10.11	0.36
3308 8307 000	ABS1144C25A	1	1	1	-	-	1.77	44.96	0.98	24.892	5.81	0.20
3308 8308 000	ABS1144C50A	1	1	-	1	-			1.97	50.038	7.48	0.26
3308 8309 000	ABS1144C75A	1	1	-	-	1			2.95	74.93	8.96	0.32



## Lightening Hole Bushing



Amphenol Pcd's QuickSNAP Lightening Bushings are made to help guide wired bundles through the aircraft's frame and stringers. Unlike traditional lightening bushings, our products significantly reduce installation times and reduce the amount of foreign object debris (FOD). The lightweight QuickSNAP's are made with smooth edges in order to reduce wire chaffing, are available in various standard configurations and sizes, and have the option for custom products as well.

### Specifications

#### Materials:

Nylon per ASTM-D-4066 PA0121

Elastomer protection: Brown Silicon or Blue Fluorosilicone

#### Environment:

Operating temperature: -67°F to 302°F (-55°C to 150°C)

#### Flammability:

FAR 25.853

### Traditional Lightening Hole Bushing



#### **15 Minutes to Install**

*6 part installation*

- 3 Rivets
- 1 Nylon part
- 1 Caterpillar
- 1 Sheet Metal part

### QuickSNAP Lightening Hole Bushing



#### **15 Seconds to Install**

*1 part installation*

- 1 Amphenol QuickSNAP  
Lightening Hole Bushing

# SYSTEM ATTACHMENTS

## Lightening Hole Bushing

Amphenol P/N	Outer Ø D		Inner Ø D		Wall Thickness		Weight		Color
	inch	mm	inch	mm	inch	mm	grams	ounces	
ALBCBS 350-0A	0.76	19.304	0.63	16.002	0.18	4.572	0.18	0.32	White
ALBCBS 351-0A	0.85	21.59	0.72	18.288	0.18	4.572	0.18	0.006	Blue
ALBCBS 352-0A	1.10	27.94	0.97	24.638	0.18	4.572	0.18	0.006	Yellow
ALBCBS 353-0A	1.39	35.306	1.25	31.75	0.17	4.318	0.17	0.006	Natural
ALBCBS 360-05	1.33	33.782	1.20	30.48	0.13	3.302	0.13	0.006	Yellow
ALBCBS 360-06	1.77	44.958	1.64	41.656	0.13	3.302	0.13	0.004	White
ALBCBS 360-07	1.49	37.846	1.36	34.544	0.25	6.35	0.25	0.005	Blue
ALBCBS 360-08	0.99	25.146	0.86	21.844	0.18	4.572	0.18	0.009	Green
ALBCBS 360-10	1.36	34.544	1.23	31.242	0.25	6.35	0.25	0.006	Green
ALBCBS 360-11	1.35	34.29	1.22	30.988	0.18	4.572	0.18	0.009	Black
ALBCBS 360-12	1.49	37.846	1.36	34.544	0.18	4.572	0.18	0.006	Green
ALBCBS 360-13	1.38	35.052	1.25	31.75	0.16	4.064	0.16	0.006	White
ALBCBS 360-14	0.98	24.892	0.85	21.59	0.04	1.016	0.04	0.006	Black
ALBCBS 360-15	1.23	31.242	1.10	27.94	0.04	1.016	0.04	0.001	Blue
ALBCBS 360-17	1.48	37.592	1.35	34.29	0.06	1.524	0.06	0.001	Yellow
ALBCBS 360-19	0.79	20.066	0.66	16.764	0.06	1.524	0.06	0.002	White
ALBCBS 360-21	0.79	20.066	0.66	16.764	0.1	2.54	0.10	0.002	Green
ALBCBS 360-25	0.76	19.304	0.63	16.002	0.04	1.016	0.04	0.004	Black
ALBCBS 360-26	0.88	22.352	0.75	19.05	0.04	1.016	0.04	0.001	Natural
ALBCBS 360-27	0.88	22.352	0.75	19.05	0.01	0.254	0.01	0.001	Yellow
ALBCBS 361-01	0.98	24.892	0.85	21.59	0.04	1.016	0.035	0.0003	Natural
ALBCBS 365-01	1.50	38.1	1.38	35.052	0.05	1.27	0.05	0.001	Natural
ALBCBS 366-01	1.50	38.1	1.38	35.052	0.02	0.508	0.02	0.002	Natural

# Standoffs



Made to help guide wire bundles through the aircraft, Amphenol Pcd's High Performance Standoffs are very strong, durable, and lightweight. Our Standoffs are made with glass-reinforced PEEK a very robust, non-conductive/non-corrosive, and lightweight material with excellent chemical resistance. They come with a locking feature for security, are designed with ribs to provide additional strength, and support a wide range of clamp sizes and harness supports for added convenience.

### Specifications

**Materials:**

Glass-Reinforced PEEK Per MIL-P-46183 with metallic threaded insert

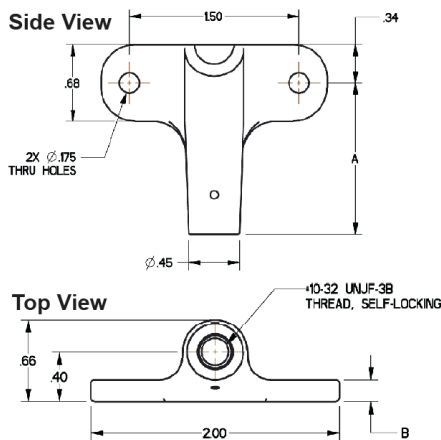
**Environment:**

Operating temperature: -67°F to +266°F (-55°C to +130°C)

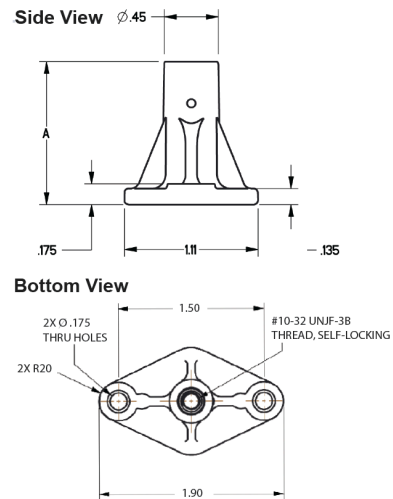
**Flammability:**

UL94, VO; FAR25.853

### Straight



### 90 Degree



Amphenol P/N	A Height	
	inch	mm
ALBSTO 021-03	0.30	7.62
ALBSTO 021-04	0.40	10.16
ALBSTO 021-06	0.60	15.24
ALBSTO 021-08	0.80	20.32
ALBSTO 021-10	1.00	25.4
ALBSTO 021-12	1.20	30.48
ALBSTO 021-14	1.40	35.56
ALBSTO 021-16	1.60	40.64
ALBSTO 021-18	1.80	45.72
ALBSTO 021-20	2.00	50.8

Amphenol P/N	A Length		B Thickness	
	inch	mm	inch	mm
ALBSTO 022-02	0.54	13.716	0.16	4.064
ALBSTO 022-04	0.74	18.796		
ALBSTO 022-06	0.94	23.876		
ALBSTO 022-08	1.14	28.956		
ALBSTO 023-10	1.34	34.036	0.175	4.445
ALBSTO 023-12	1.54	39.116		
ALBSTO 023-14	1.74	44.196		
ALBSTO 023-16	1.94	49.276		
ALBSTO 023-18	2.14	54.356		
ALBSTO 023-20	2.34	59.436		
ALBSTO 023-22	2.54	64.516		
ALBSTO 023-24	2.74	69.596		

# SYSTEM ATTACHMENTS

## Amphenol Air Lb France Standoffs



### Specifications

#### Materials:

Black thermoplastic with metallic threaded insert

#### Environment:

Operating temperature : Type 1: -67°F to +266°F (-55°C to +130°C)  
Type 2: -67°F to +185°F (-55°C to +85°C)

#### Flammability:

Conform to ABD0031 standard

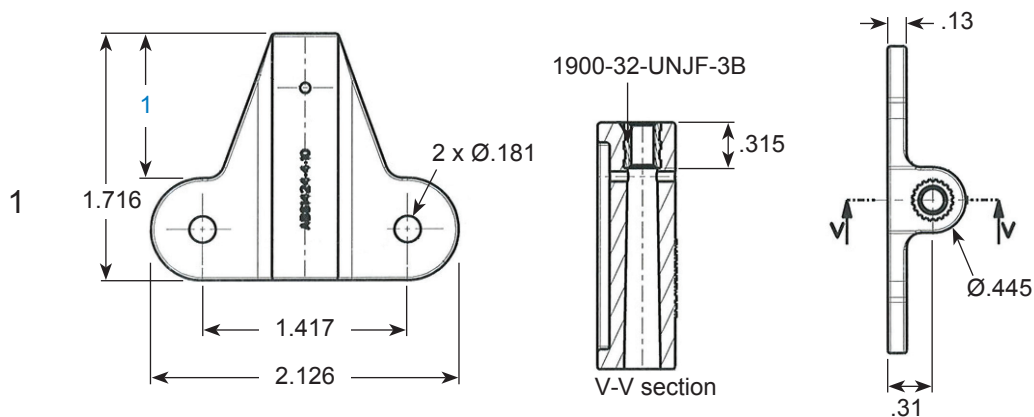
#### Flammability:

NATO F44, AS 1241, MIL PRF 680 (type 1), 5606, 7870, 23699, 87937 (diluted), 87252 and ASM 1428

#### Spray Test:

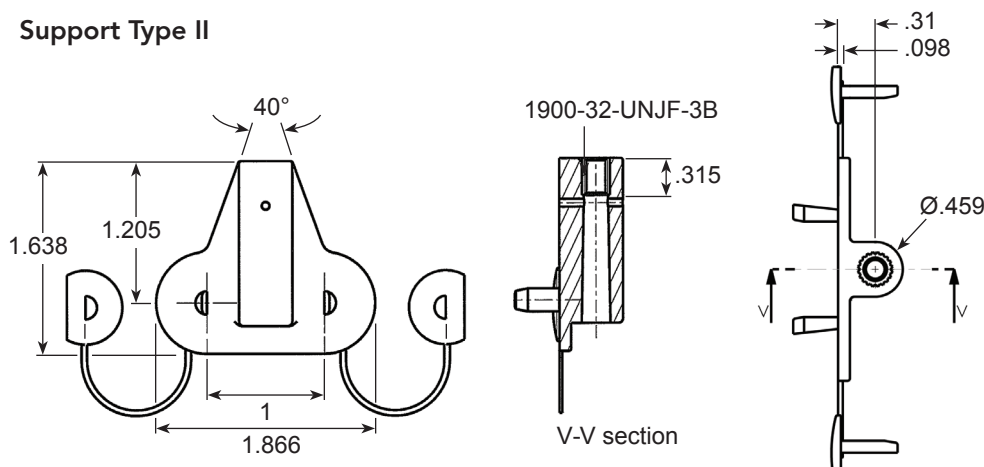
Fuel, hydraulic fluids, oils, cleaning fluids, de-icing fluids, cooling fluids

### Support Type I



Amphenol P/N	Type	Weight	
		grams	ounces
3450 0031 313	1	14	0.49

### Support Type II



Amphenol P/N	Type	Weight	
		grams	ounces
3540 0034 356	2	9.2	0.32

# Amphenol Air Lb France Brackets

## Specifications

### Materials:

Black thermoplastic

Shocks: RTCA/DO-160G cat. E

### Environment:

Operating temperature: -67°F to +185°F (-55°C to +85°C)

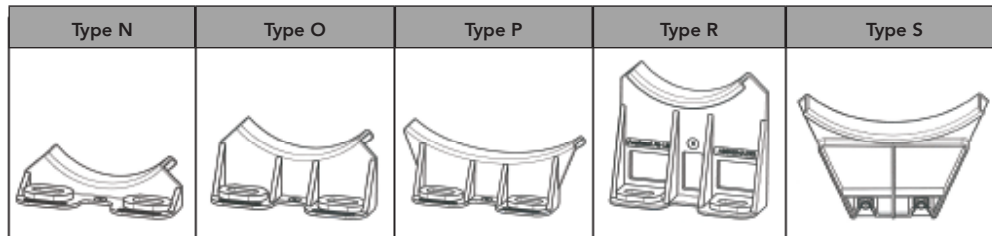
### Flammability:

Conform to ABD0031 standard

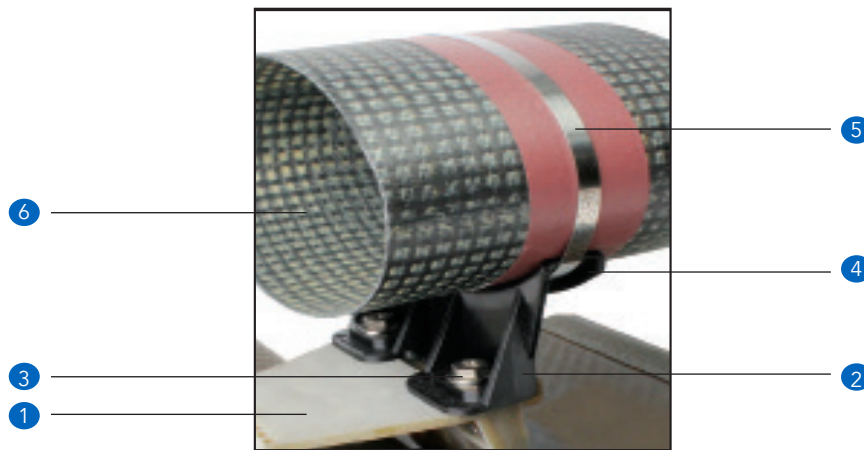
### Fluid Resistance

N, O, P and R types: NATO F44, AS 1241, MIL PRF 680 (type 1), 5606, 7870, 23699, 87937 (diluted), 87252 and AMS 1428

S type: Resistant in complete immersion during 24h



\*ABS 1694 & 1695 conform to ROHS and REACH Requirements



- 1 Panel
- 2 ABS1694 fixing system
- 3 Panel mounting system (screw + washer not supplied)
- 4 Spout for ring clamp
- 5 Ring clamp
- 6 Pipe clamp

# SYSTEM ATTACHMENTS

## Amphenol Air Lb France Brackets

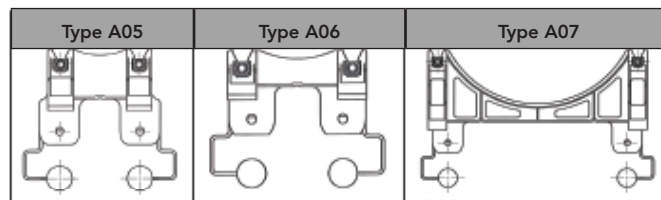
### Specifications

**Materials:**  
Black thermoplastic

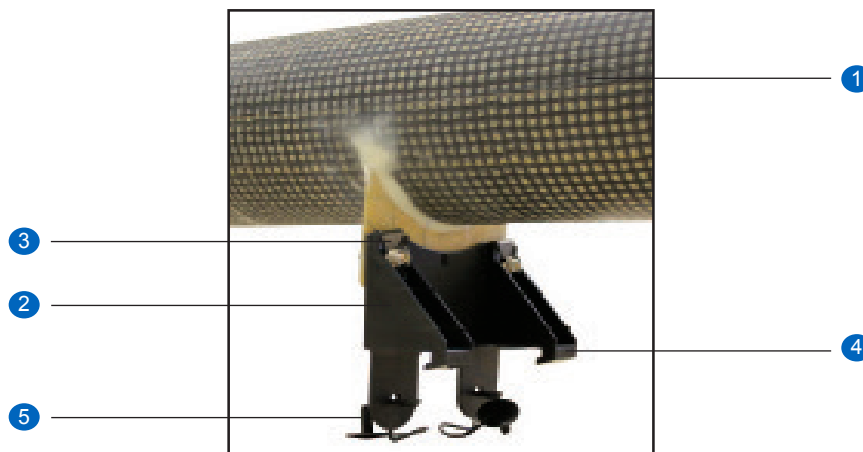
**Environment:**  
Operating temperature: -67°F to +185°F (-55°C to +85°C)

**Flammability:**  
Conform to ABD0031 standard

**Fluid Resistance**  
NATO F44, AS 1241, MIL PRF 680 (type 1), 5606, 7870, 23699, 87937 (diluted), 87252 and AMS 1428



\*ABS 1694 & 1695 conform to ROHS and REACH Requirements



- ① Pipe Clamp
- ② ABS1695 fixing system
- ③ Fixing system for pipe clamps (screw and nut not supplied)
- ④ ABS CC1339 cable clamp
- ⑤ Locking system for fixing system on panel with integrated locking pin

## Accessories, Abs, 2225



This fixing bar comes in of various lengths which allows the user to fix Cable Clamps ABS1339 on up to three sides. The adapter on each end of the bar allows the user to select the desired position for the panel mounting 0°, 90°, 180°, 270°.

### Specifications

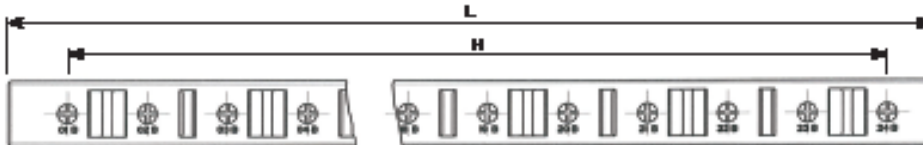
**Materials:**  
Black thermoplastic

**Environment:**  
Operating temperature: -67°F to +302°F (-55°C to +150°C)

**Flammability:**  
Conform to ABD0031 standard

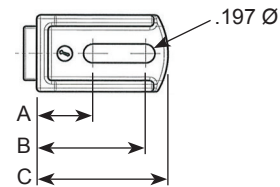
**Fluid Resistance:**  
NATO F44, AS 1241, MIL PRF 680 (type 1), 5606, 7870, 23699, 87937 (diluted), 87252 and AMS 1428

**Spray Test:**  
Fuel, hydraulic fluids, oils, cleaning fluids, de-icing fluids, cooling fluids



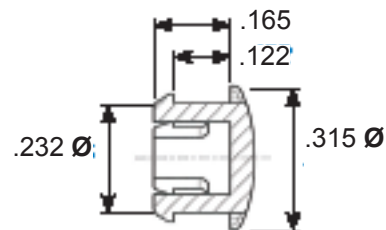
AALBF P/N	H		L		Weight	
	inch	mm	inch	mm	grams	ounces
3540 8201 000	-	-	1.279	32.48	11	0.39
3540 8202 000	.984	24.99	2.264	57.50	17	0.60
3540 8203 000	1.968	49.99	3.248	82.50	23	0.81
3540 8204 000	2.953	75.01	4.232	107.49	29	1.02
3540 8205 000	3.937	99.99	5.216	132.49	34	1.20
3540 8206 000	4.921	124.99	6.200	157.48	39	1.38
3540 8207 000	5.905	149.99	7.185	182.50	46	1.62
3540 8208 000	6.889	174.98	8.169	207.49	52	1.83
3540 8209 000	7.874	199.99	9.153	232.49	58	2.05
3540 8210 000	8.858	224.99	10.137	257.48	63	2.22
3540 8211 000	9.842	249.99	11.122	282.50	69	2.43
3540 8212 000	10.826	274.98	12.106	307.49	75	2.65
3540 8213 000	11.811	299.99	13.090	332.49	81	2.86
3540 8214 000	12.795	324.99	14.074	357.48	87	3.07
3540 8215 000	13.779	349.97	15.059	382.50	93	3.28
3540 8216 000	14.763	374.98	16.043	407.49	98	3.46
3540 8217 000	15.747	399.97	17.027	432.49	104	3.67
3540 8218 000	16.732	424.99	18.011	457.48	110	3.88
3540 8219 000	17.716	449.99	18.995	482.47	116	4.09
3540 8220 000	18.700	474.98	19.980	507.49	122	4.30
3540 8221 000	19.684	499.97	20.964	532.49	127	4.488
3540 8222 000	20.669	524.99	21.948	557.48	133	4.69
3540 8223 000	21.653	549.99	22.932	582.47	140	4.94
3540 8224 000	22.637	574.98	23.917	607.49	145	5.11

### ABS 2225 Systems- Adapter



AALBF P/N	A		B		C		Weight	
	inch	mm	inch	mm	inch	mm	grams	ounces
3540 0131 000	.591	15.01	1.142	29	1.378	35	11.7	0.412
3540 0132 000	.945	21	1.496	38	1.732	44	13.2	0.466
3540 0133 000	1.299	32.99	1.850	47	2.086	53	14.7	0.519

### Pin for ABS 2225 Body



AALBF P/N	Weight	
	grams	ounces
3540 0042 356 SCS	11.7	



# SYSTEM ATTACHMENTS

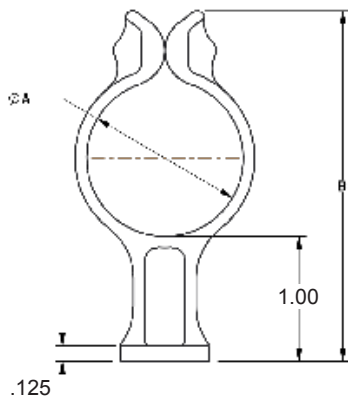
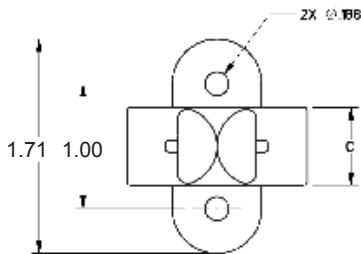
## Jig Board Clamps



Amphenol Pcd's Jig Board Clamps are made for pre-installation wire harness assembly. Made of Acetal, our durable clamps maintain their original shape after continuous use and their smooth edges diminish wear on the harnesses as they are being assembled. Developed in multiple sizes, Amphenol Pcd's Jig Board Clamps can accommodate a wide range of cable diameters, while the one-piece design enables efficient inventory management.

### Specifications

- Designed with Acetal: Strong durable; long life-time
- Various Sizes: Accommodates wide range of wire diameters
- One-Piece Design: Simple and easy to use
- Smooth Edges: Limits wire chaffing and reduces wear and tear
- No elastic band or straps required: Minimizes installation time



AALBF P/N	Ø A		B		C	
	inch	mm	inch	mm	inch	mm
ALBCLP 001 01	0.50	12.7	1.85	46.99	0.375	0.013
ALBCLP 001 02	1.25	31.75	2.81	71.374	0.625	0.02
ALBCLP 001 03	2.00	50.8	3.80	96.52	0.625	0.022
ALBCLP 001 04	0.88	22.352	2.36	59.944	0.500	0.018

Material: Acetal

## Power Feeder Spacer



Power Feeder Spacers separate and provide a constant spacing between the power feeders. The custom design of this product allows a six degree rotation on the power feeder bundle and doesn't fight against the natural flow of the cable. It is designed to sit within Omega Clamps which can be used as anchor points.



**Amphenol Pcd**

[www.amphenolpcd.com](http://www.amphenolpcd.com)