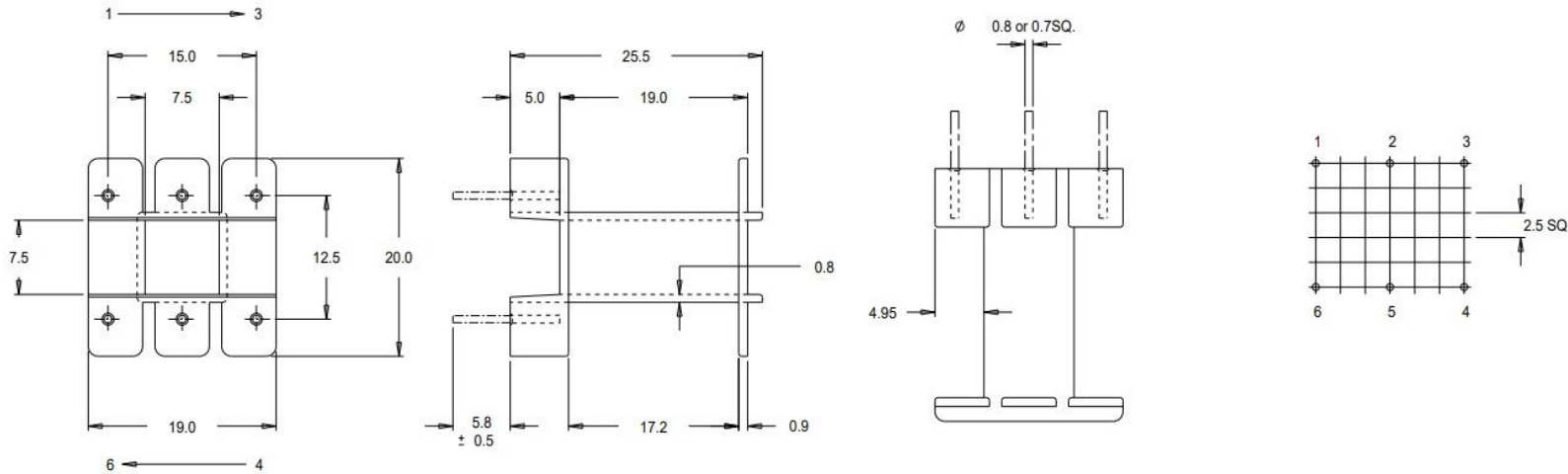




FE0140



Part Number FE0140	Part Weight (g) 2.9	Carton Quantity 2000	Pinning Configuration TPB-RD-080 1:2:3:4:5:6:
Order Code FE0140FGNNAT0001	Material Nylon PA66	Carton Size (mm) 465x315x260	Pin Length (mm) (from standoff) 5.8
Part Description Bobbin E30/15/7 V 6P 1S UL94V0	Material Datasheets	Related Items n/a	Terminal Pin Material Phosphor Bronze
Product Range E/EF Range	UL Rating UL94V0	3D CAD Image	Compliance information

MILES - PLATTS

+44 (0)116 264 3850

milesplatts.co.uk

enquiries@milesplatts.co.uk