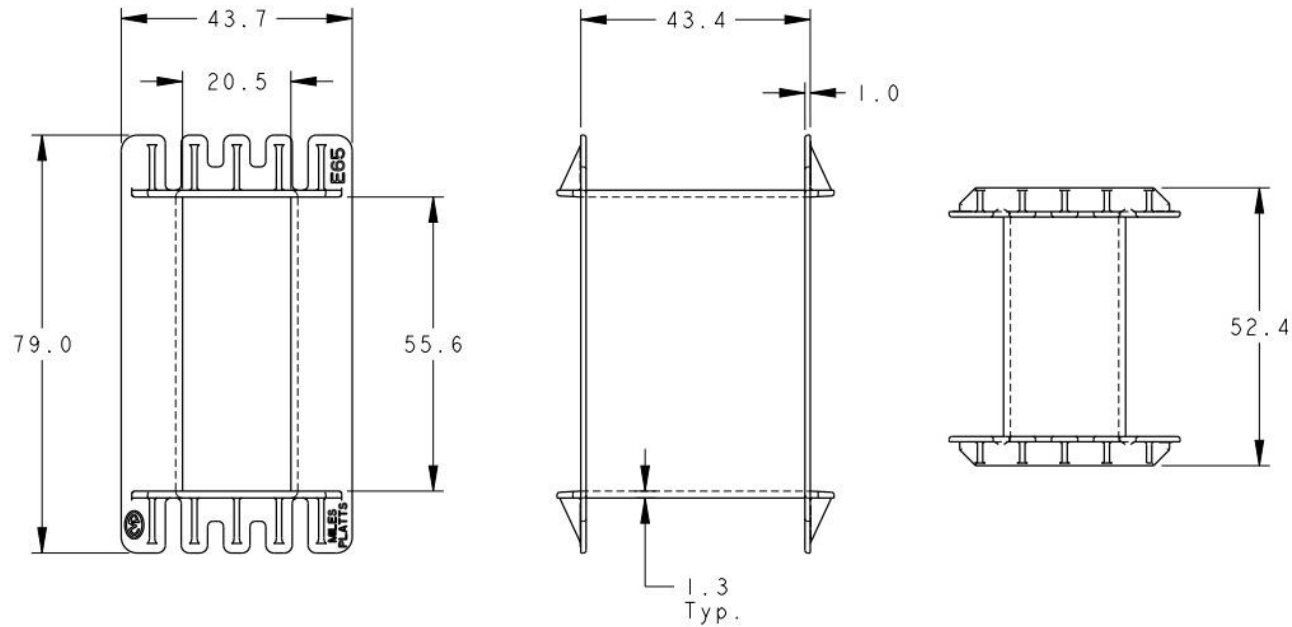




FE0370



Part Number FE0370	Part Weight (g) 21.20	Carton Quantity 192	Pinning Configuration n/a
Order Code FE0370FR3BLK	Material Rynite FR530L	Carton Size (mm) 465x315x260	Pin Length n/a
Part Description Bobbin E65/32/27 V OP 2x Stack	Material Datasheets	Related Items FE0300, FE0310, FE0340, FE0350, FE0360, FE0380	Terminal Pin Material n/a
Product Range E/EF Range	UL Rating UL94V0	3D CAD Image	Compliance information

MILES - PLATTS

+44 (0)116 264 3850

milesplatts.co.uk

enquiries@milesplatts.co.uk