

MB6S
MINI GLASS
PASSIVATED BRIDGE RECTIFIER

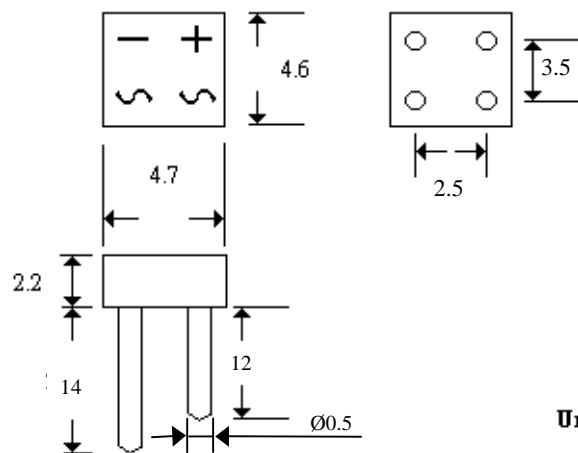


VOLTAGE RANGE
50 to 1000 Volts

CURRENT
1.0 Amperes

FEATURE

- Plastic material used carries Underwriters Laboratory recognition 94V-O.
- Low leakage.
- Surge overload rating-30 amperes peak.
- Ideal for printed circuit board.



Unit: m/m

MAXIMUM RATING AND ELECTRICAL CHARACTERISTICS

Rating at 25°C ambient temperature unless otherwise specified.
 Single phase , half wave , 60 Hz , resistive or inductive load.
 For capacitive load , derate current by 20%.

	MB6S	MB6S	MB6S	MB6S	MB6S	MB6S	MB6S	UNITS
Maximum Recurrent Peak Reverse Voltage	50	100	200	400	600	800	1000	V
Maximum RMS Bridge Input Voltage	35	70	140	280	420	560	700	V
Maximum DC Blocking Voltage	50	100	200	400	600	800	1000	V
Maximum Average Forward Rectified Current at TA = 40 °C	1.0							A
Peak Forward Surge Current ,8.3 ms single half sine-wave superimposed on rated load	30.0							A
I ² t Rating for fusing (t < 8.35ms)	10.0							A ² s
Maximum Forward Voltage Drop per element at 0.5A peak	1.0							V
Maximum Reverse Current at rated TA = 25 °C	5.0							µ A
DC Blocking Voltage per element TA = 125 °C	0.5							mA
Typical junction capacitance per leg (NOTE2)CJ	25.0							F
Typical thermal resistance per leg (NOTE 2) R JA	85.0							°C/W
Typical thermal resistance per leg (NOTE 2) R JL	20.0							
Operating Temperature Range Tj	-55 to +150							°C
Storage Temperature Range TA	-55 to +150							°C

RATING AND CHARACTERISTIC CURVES (MB6S)

FIG.1-TYPICAL FORWARD CHARACTERISTICS

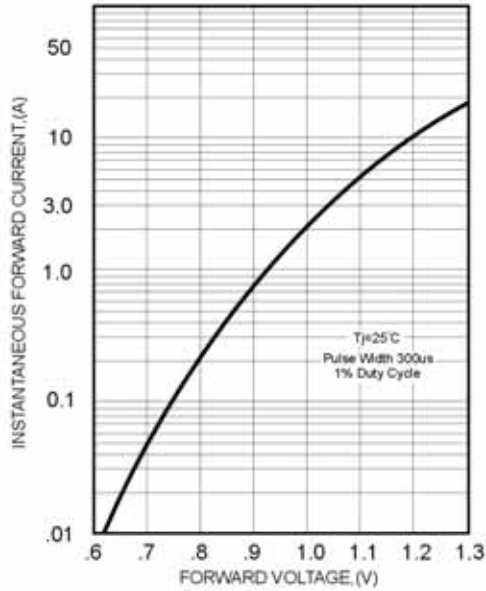


FIG.2-TYPICAL FORWARD CURRENT DERATING CURVE

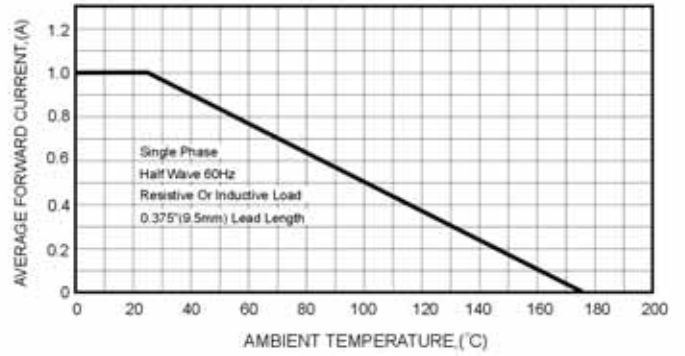


FIG.4-MAXIMUM NON-REPETITIVE FORWARD SURGE CURRENT

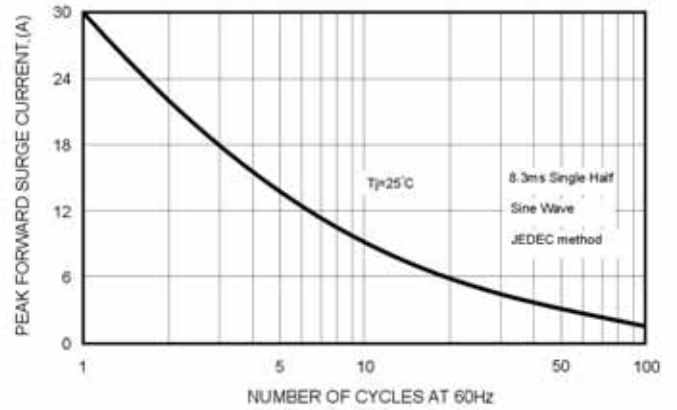


FIG.3 - TYPICAL REVERSE CHARACTERISTICS

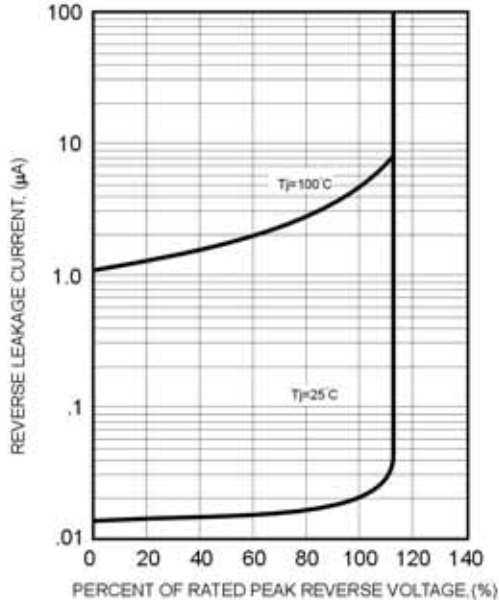


FIG.5-TYPICAL JUNCTION CAPACITANCE

