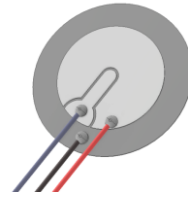




PUI audio

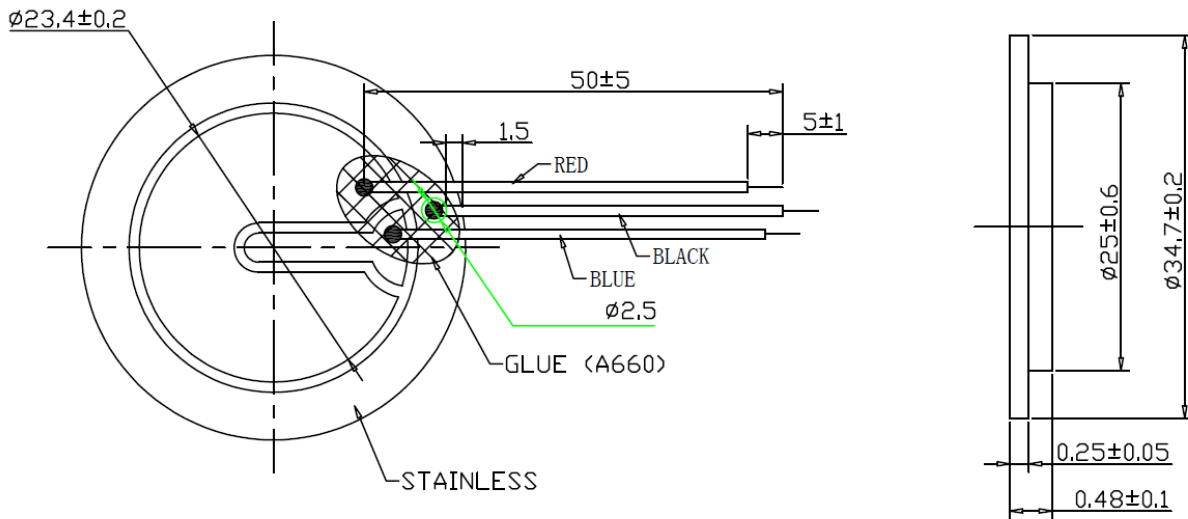


Data Sheet	AB3531S-LW50-R
------------	----------------

Specifications

Parameters	Values	Units
Resonant Frequency	3,100 ± 500	Hz
Resonant Impedance (Max)	220	Ohms
Max Input Voltage	30	Vp-p
Capacitance (@ 1kHz)	24,000 ± 30%	pF
Plate Material	Stainless	-
Storage Temperature	-30 ~ +70	°C
Operating Temperature	-20 ~ +60	°C
Environmental Compliances	RoHS/REACH	Exempt. 7c-1

Dimensions



LEAD WIRE: UL1571 32#

Packaging: 50 pcs/bag, 1250 pcs/box, 5000 pcs/carton. Carton: 31.5x31x19.5cm

Specifications Revisions

Revision	Description	Date
-	RELEASED FROM ENGINEERING	4/21/2010
A	REVISED DIMENSIONS & SPECIFICATIONS	7/12/2010
B	REVISED DIMENSIONS ON NEG. WIRE	3/8/2011

Note:

1. Unless otherwise specified:
 - A. All dimensions are in millimeters.
 - B. Default tolerances are $\pm 0.5\text{mm}$ and angles are $\pm 3^\circ$.
2. Specifications subject to change or withdrawal without notice.