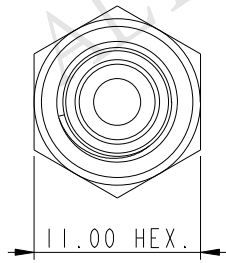
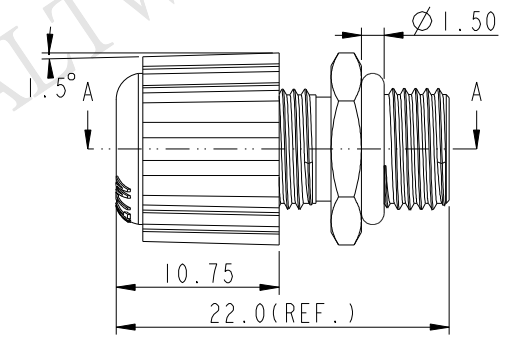
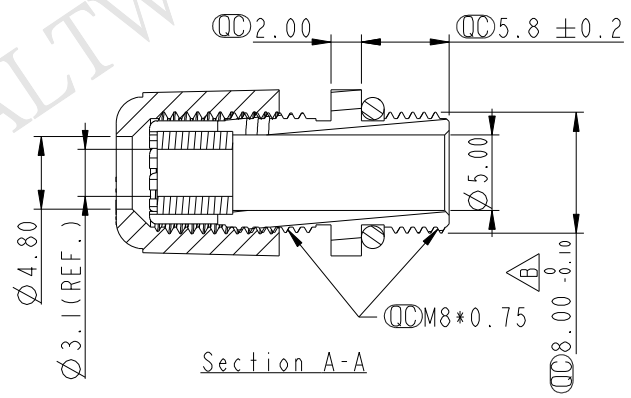
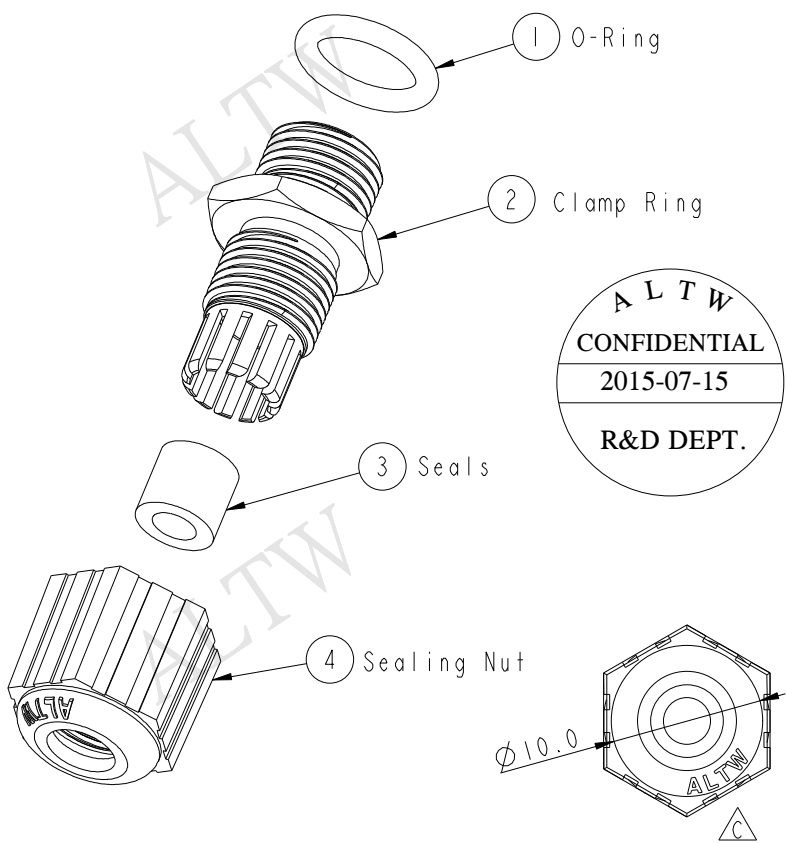


REV.	ECN NO.	DATE	SIGN	DESCRIPTION
B	ECN-0601031	2006/01/12	May	Change 8 ^{+0.02} _{-0.05} to 8 ^{+0.00} _{-0.10}
C	LEN1570082	2015/07/15	Jinhai	Change Logo

F
E
D
C
B
A



- △ Note:
- * ∅ Important Dimension
 - * Waterproof Rating: IP67
 - * Clamp Ring: Nylon, Black
 - * Sealing Nut: Nylon, Black
 - * O-ring: EPDM, Black
 - * Seals: EPDM, Black
 - * Seals for Cable OD: ∅ 2.5mm~∅ 3.0mm
 - 適用線徑: ∅ 2.5mm~∅ 3.0mm

UNIT:mm		
TOLERANCE	.X ±0.25	
.XX ±0.1		
.XXX ±0.05		
ANGLES	±1°	

TITLE M8 Cable Gland			
SCALE 2:1	SIZE A4	SHEET 1 OF 1	
REV. C	WC-REV. A.3	∅: Inspection item	

Amphenol LTW
安費諾亮泰企業股份有限公司

ITEM NO CSG-08M001	DRAWN BY Jinhai	DATE 2015-07-15
DWG NO CSG-08M001	CHECKED BY Tom	DATE 2015-07-15
CUSTOMER ALTW	APPROVED BY Jerry	DATE 2015-07-15

THIS DOCUMENT IS SUBJECT TO CHANGE WITHOUT NOTICE. IT IS CONFIDENTIAL AND A PROPERTY OF Amphenol LTW. DISCLOSURE TO THIRD PARTY HAS TO BE AUTHORIZED BY Amphenol LTW.