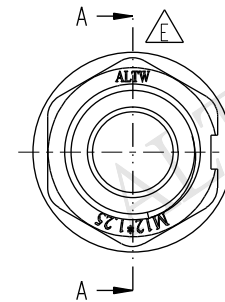
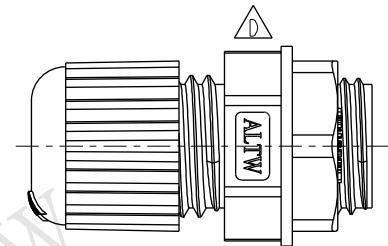
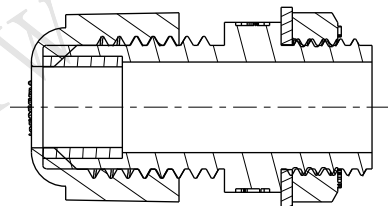
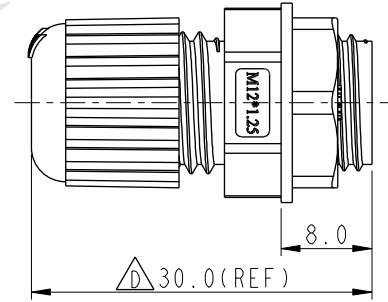
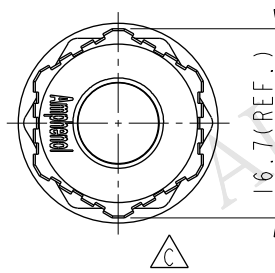
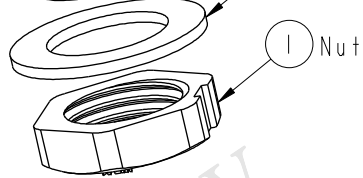
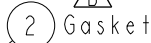
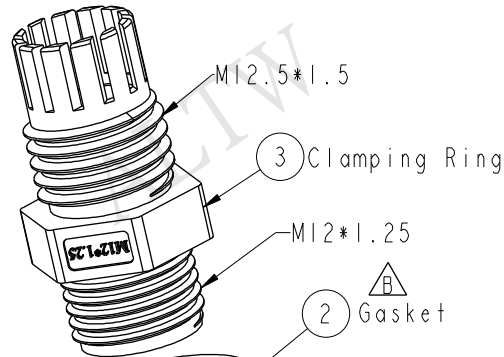
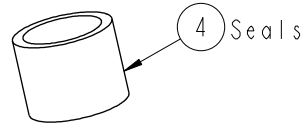
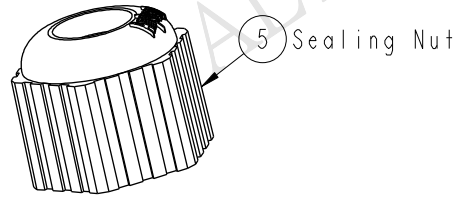


REV.	ECN NO.	DATE	SIGN	DESCRIPTION
C	LEN1370111	2013/07/04	Sam	Change View
D	LEN1510145	2015/01/07	Vicky	Update Logo & Dimension
E	LEN1510675	2015/01/28	Ruru	Change Logo

ALTW  
CONFIDENTIAL  
2015-01-28  
R&D DEPT.

ALTW  
DCC. DEPT.  
CONFIDENTIAL  
2015.01.30  
ISSUED



Note:

- \* Waterproof Rate: IP68
- \* Screw Nut: Nylon, Gray
- \* Clamp Ring: Nylon, Gray
- \* Sealing Nut: Nylon, Gray
- \* Gasket: EPDM, Black
- \* Seals: EPDM, Black
- \* Cable Range:  $\varnothing 4.5\text{mm} \sim \varnothing 6.5\text{mm}$
- \* For Panel Thickness: 3.0mm max
- \* Spanner Size:
  - Body: 15.0mm
  - Sealing Nut: 15.0mm
  - Screw Nut: 15.0mm

UNIT:mm TOLERANCE $\pm 0.5\text{ mm}$	TITLE 12M Cable Glands Assembly		Amphenol LTW 安費諾亮泰企業股份有限公司		ITEM NO CSG-12M002	DRAWN BY Ruru	DATE 2015-01-28
	SCALE 3:2	SIZE A4	SHEET 1	OF 1	DWG NO CSG-12M002	CHECKED BY Rita	DATE 2015-01-28
	REV. E	WC-REV. A.3	QC: Inspection item		CUSTOMER ALTW	APPROVED BY Win	DATE 2015-01-28

THIS DOCUMENT IS SUBJECT TO CHANGE WITHOUT NOTICE. IT IS CONFIDENTIAL AND A PROPERTY OF Amphenol LTW. DISCLOSURE TO THIRD PARTY HAS TO BE AUTHORIZED BY Amphenol LTW.