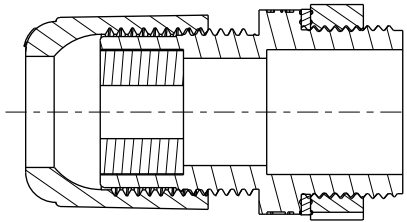
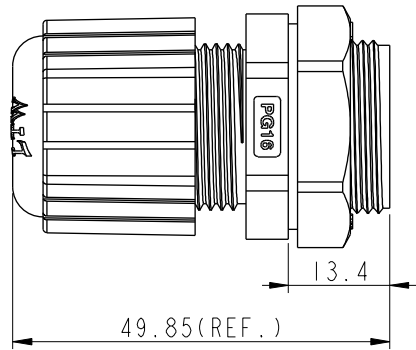
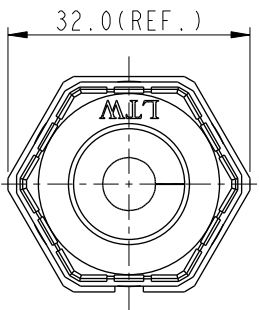
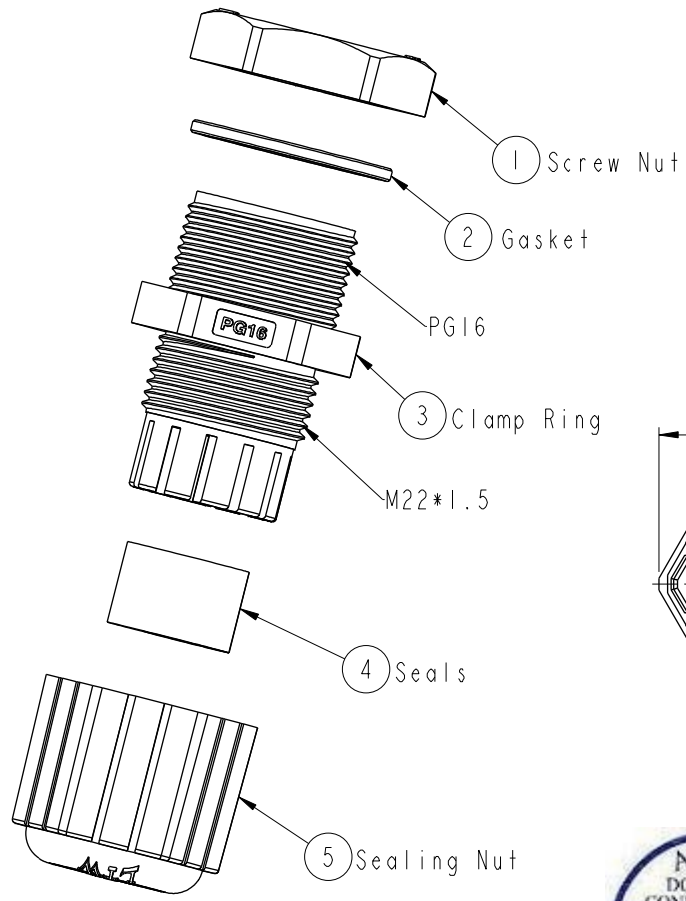
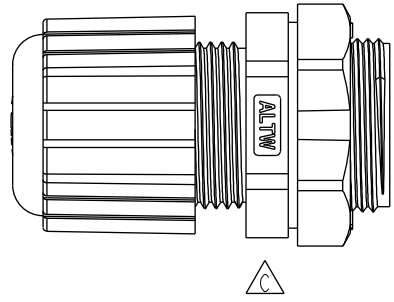


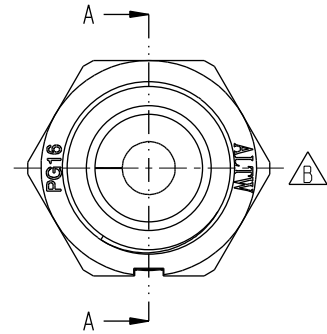
REV.	ECN NO.	DATE	SIGN	DESCRIPTION
B	LEN14C0288	2014/12/03	Ruru	Change Nut Logo
C	LEN1740198	2017/03/30	Ruru	Change Logo



Section A-A



**ALTW**  
 CONFIDENTIAL  
 2017-03-30  
 R&D DEPT.



- Note:
- \* Waterproof Rate: IP68
  - \* Screw Nut: Nylon, Black
  - \* Clamp Ring: ASA(AAS), Black
  - \* Sealing Nut: ASA(AAS), Black
  - \* Gasket: EPDM, Black
  - \* Seals: EPDM, Black
  - \* Cable OD MAX:  $\varnothing 6.5$
  - \* For Panel Thickness: 4.5mm max
  - \* Spanner Size:
    - Body: 27mm
    - Sealing Nut: 25.7mm
    - Screw Nut: 28.5mm

**ALTW**  
 DCC. DEPT.  
 CONFIDENTIAL  
 2017.04.05  
 ISSUED

UNIT: mm		TITLE		ITEM NO		DRAWN BY		DATE	
		PG16 Cable Gland For RJ Cable		CSG-16G010		Ruru		2017-03-30	
TOLERANCE		SCALE	SIZE	SHEET	DWG NO	CHECKED BY	DATE		
.X ±0.25		1:1	A4	1 OF 1	CSG-16G010	Rita	2017-03-30		
.XX ±0.1		REV.	WC-REV.		CUSTOMER	APPROVED BY	DATE		
.XXX ±0.05		C	A.1		ALTW	Max	2017-03-30		
ANGLES ±1°		Inspection item		<b>Amphenol LTW</b> <b>安費諾亮泰企業股份有限公司</b>					

THIS DOCUMENT IS SUBJECT TO CHANGE WITHOUT NOTICE. IT IS CONFIDENTIAL AND A PROPERTY OF Amphenol LTW. DISCLOSURE TO THIRD PARTY HAS TO BE AUTHORIZED BY Amphenol LTW.