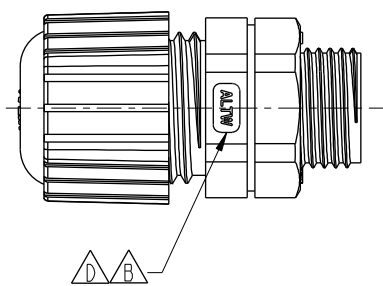
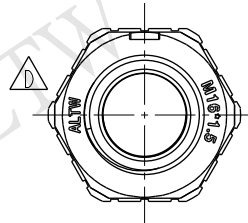
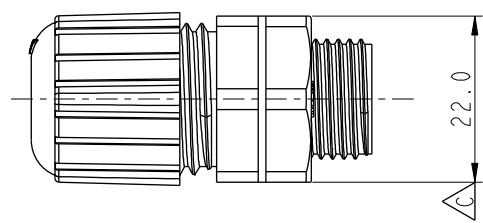
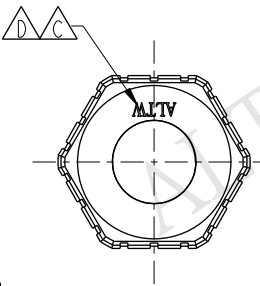
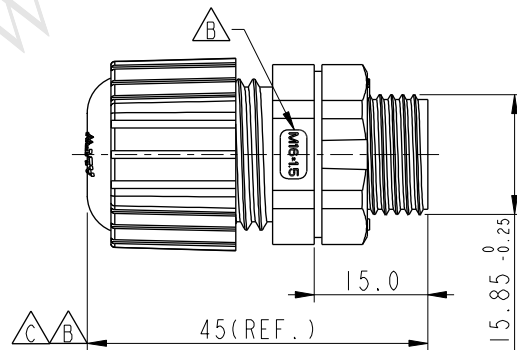
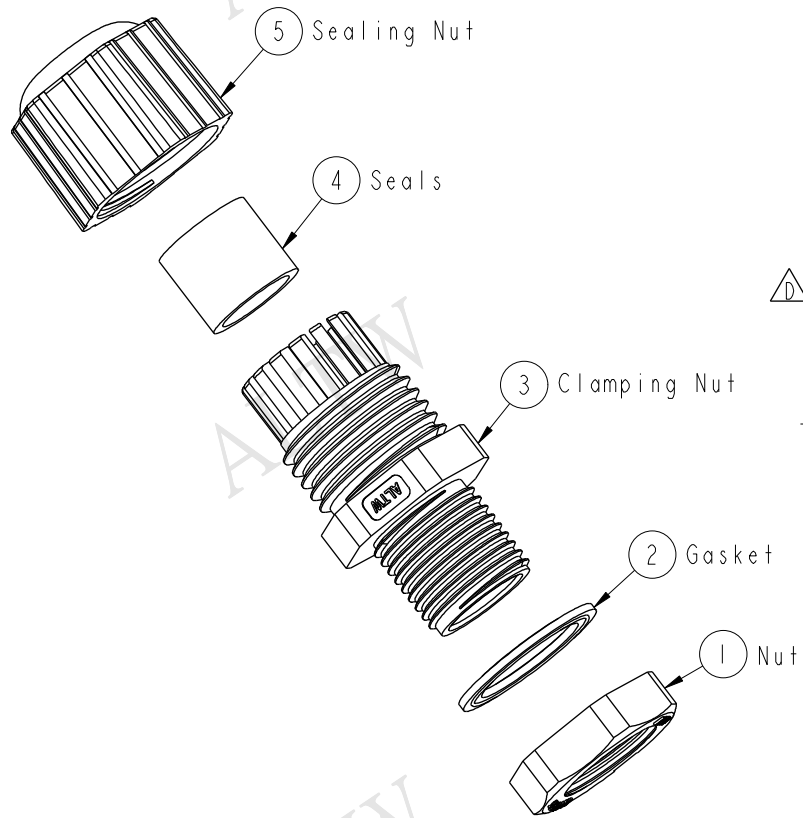
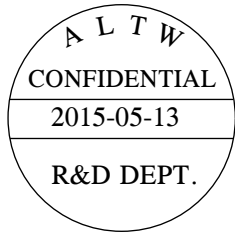


THIS DOCUMENT IS SUBJECT TO CHANGE WITHOUT NOTICE. IT IS CONFIDENTIAL AND A PROPERTY OF AMPHENOL LTW. DISCLOSURE TO THIRD PARTY HAS TO BE AUTHORIZED BY AMPHENOL LTW.

| REV. | ECN NO.     | DATE       | SIGN | DESCRIPTION                        |
|------|-------------|------------|------|------------------------------------|
| B    | ECN-0501039 | 2005/01/11 | XLM  | Modify the mark and part dimension |
| C    | ECN-0503095 | 2005/03/21 | XLM  | Ref. To ECN.Note                   |
| D    | LEN1570038  | 2015/05/13 | Ruru | Change Logo                        |



- Note:**
- \*  $\text{CC}$  Important Dimension
  - \* Nut: Nylon, Black
  - \* Gasket: EPDM, Black
  - \* Clamp Ring: Nylon, Black
  - \* Seals: EPDM, Black
  - \* Sealing Nut: Nylon, Black
  - \* Cable Range:  $\varnothing 6.0 \sim \varnothing 10.0$
  - \* For Panel Thickness: 7.5mm

|           |               |
|-----------|---------------|
| UNIT: mm  |               |
| TOLERANCE |               |
| .X        | $\pm 0.25$    |
| .XX       | $\pm 0.1$     |
| .XXX      | $\pm 0.05$    |
| ANGLES    | $\pm 1^\circ$ |

|  |                |                               |  |
|--|----------------|-------------------------------|--|
| TITLE<br>MI6*1.5 Cable Glands Assembly |                |                               |  |
| SCALE<br>4:5                           | SIZE<br>A4     | SHEET 1 OF 1                  |  |
| REV.<br>D                              | WC-REV.<br>A.2 | $\text{CC}$ : Inspection item |  |

**Amphenol LTW**  
安費諾亮泰企業股份有限公司

|                       |                     |                    |
|-----------------------|---------------------|--------------------|
| ITEM NO<br>CSG-16M001 | DRAWN BY<br>Ruru    | DATE<br>2015-05-13 |
| DWG NO<br>CSG-16M001  | CHECKED BY<br>Rita  | DATE<br>2015-05-13 |
| CUSTOMER<br>ALTW      | APPROVED BY<br>Lion | DATE<br>2015-05-13 |