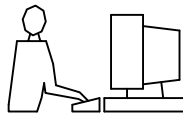
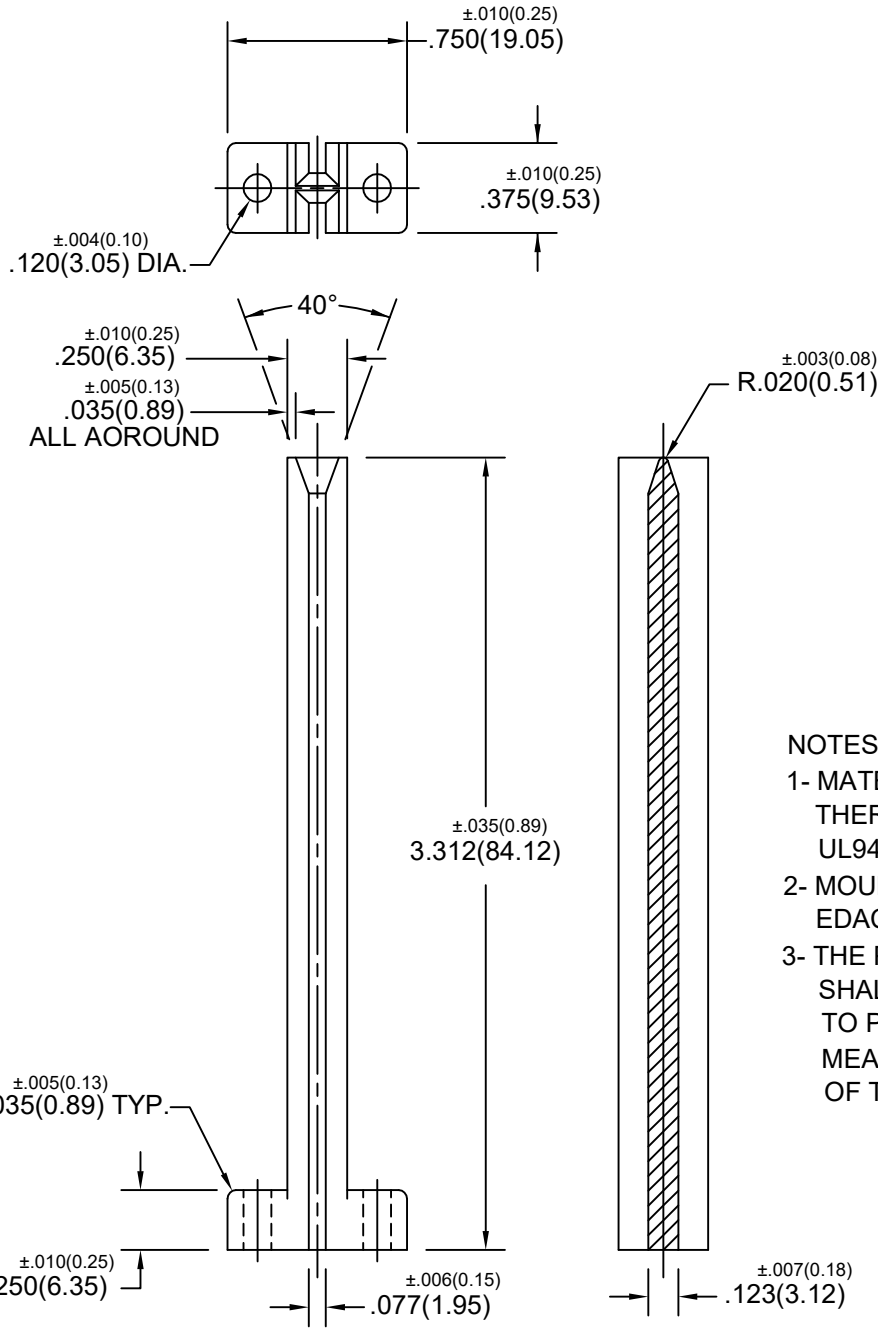


THIS IS A C.A.D. GENERATED DRAWING
DO NOT MAKE MANUAL REVISIONS TO MASTER.



* UNLESS OTHERWISE SPECIFIED TOLERANCES
ON DECIMAL IS:
FRACTION ± 1/32 4 PLACE ±.0001
2 PLACE ±.01 5 PLACE ±.000050
3 PLACE ±.010 6 PLACE ±.000020

ISSUE NUMBER	
ORIGINAL	<input type="radio"/>
RE-DWG.	<input type="radio"/>
F.BRIONES NOV. 21/14	<input checked="" type="radio"/>



NOTES:

- 1- MATERIAL: ENGINEERING APPROVAL THERMOPLASTIC POLYESTER 30% G/F UL94V-0 GREEN COLOR
- 2- MOULDED PART SHALL CONFORM TO EDAC SPEC. 110-0211
- 3- THE PART, WHEN SCREWED TO A FLAT SHALL BE PERPENDICULAR (RELATIVE TO PLATE) WITHIN .030(0.76) AS MEASURED OVER THE FULL HEIGHT OF THE PART

CARD GUIDE

ACAD REFERENCE NO. 368-220-301	
DRAWN: F.BRIONES	DATE: NOV. 21/14
CHECKED:	DATE: CHECKED:
SCALE: 1:1 IN C.A.D	SHEET 1 OF 1
DRAWING AND PART NUMBER 368-220-301	ISSUE 9