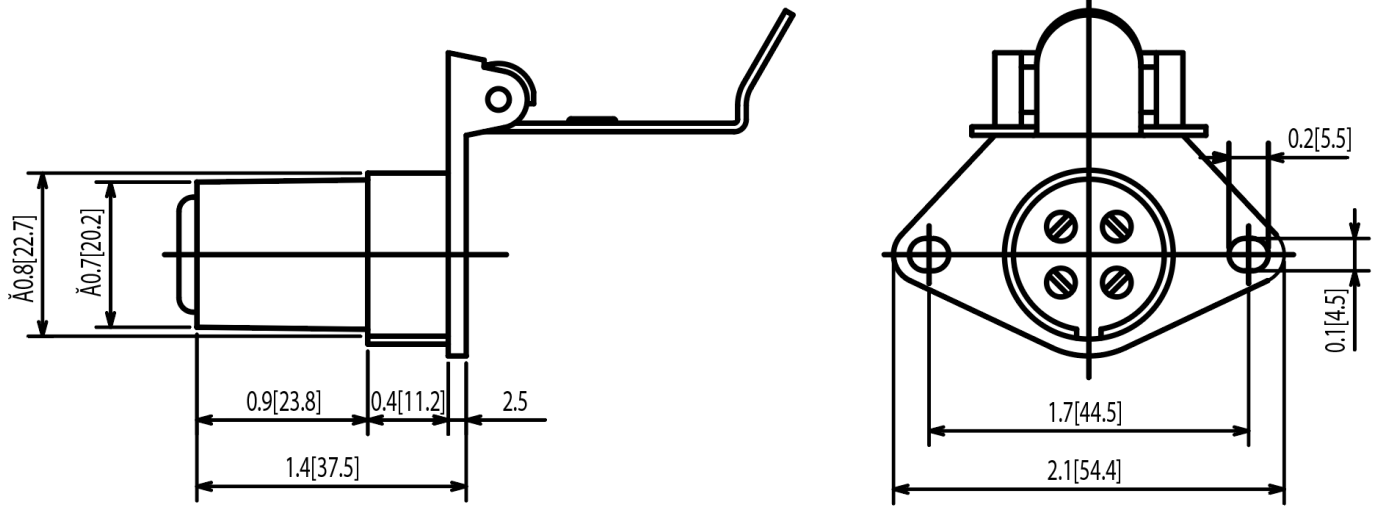


Mechanical Dimensions: Inches [mm]

Tolerances ± 0.012 [0.3] Unless Otherwise Specified



TOLERANCES:
 1mm~5mm:±0.1
 6mm~20mm:±0.2
 21mm~50mm:±0.3
 51mm~100mm:±0.5
ANGLES:±1°

Wiring Color Codes

A.T.A & S.A.E WIRING CODES RECOMMENDED STANDARD

CIRCUITS	POLE WIRING COLOR CODE
Ground Return	White
Right Turns & Brake Lights	Green
Left Turns & Brake Lights	Yellow or Red
Tail Lights	Brown

Material Specifications

Chrome Plated

Rev	Date of issue	Revision Notes	Designed	Approved
B	02-10-2022	Initial Drawing	RC	OF