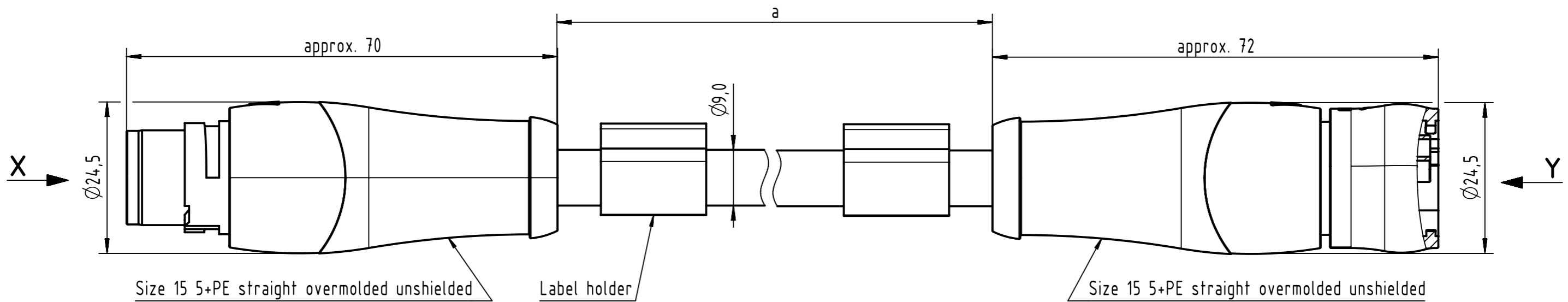


Connector Location A

Connector Location B



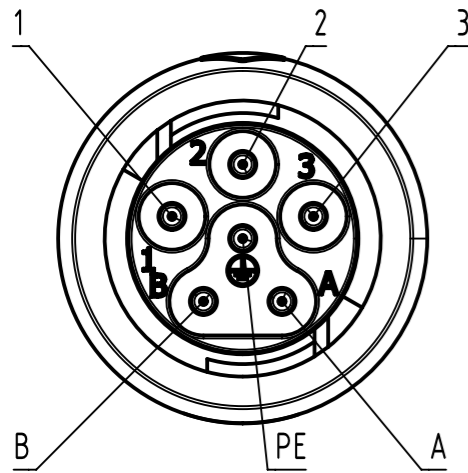
Size 15 5+PE straight overmolded unshielded

Label holder

Size 15 5+PE straight overmolded unshielded

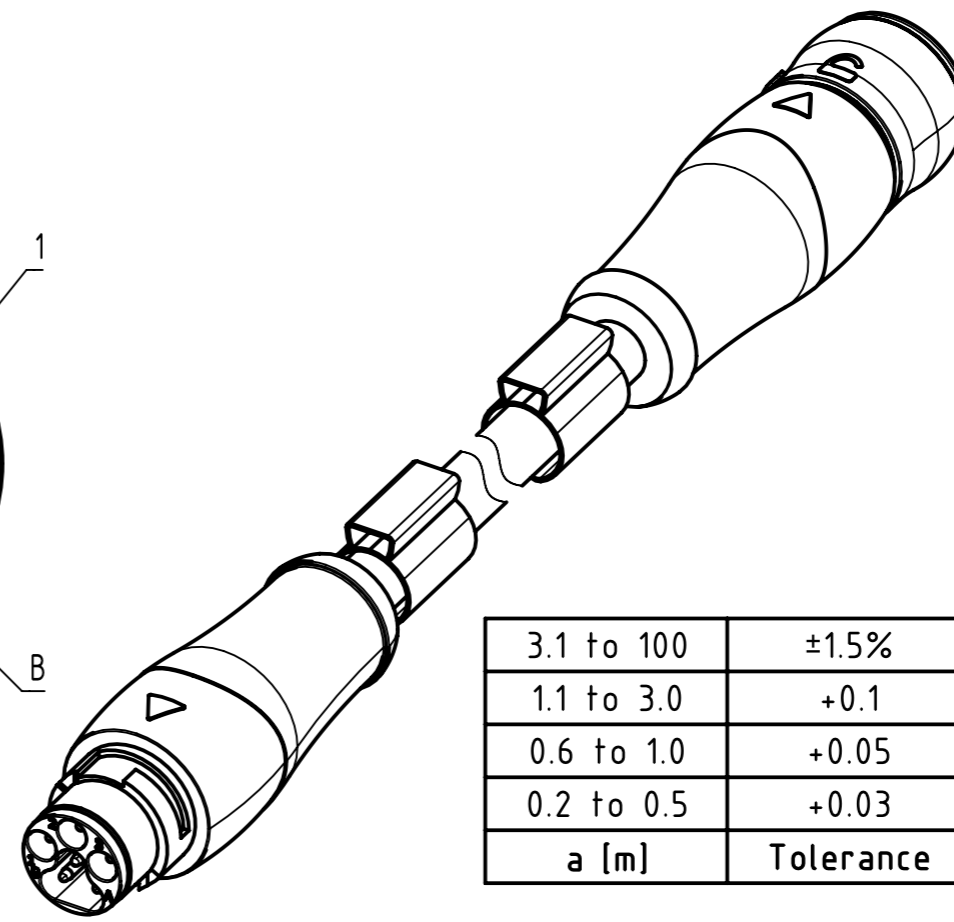
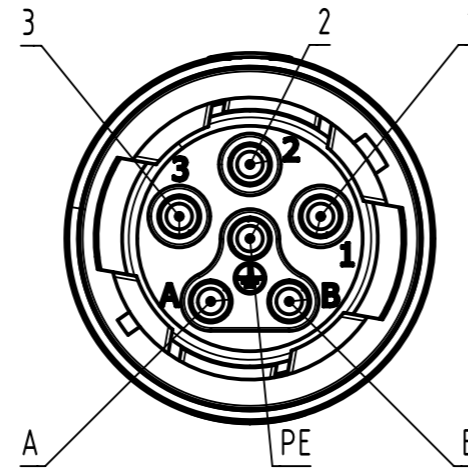
X  
male

Y  
female



Loading Plan

1	black (1)	1
2	black (2)	2
3	black (3)	3
PE	green/yellow	PE
A	black (4)	A
B	black (5)	B



3.1 to 100	±1.5%
1.1 to 3.0	+0.1
0.6 to 1.0	+0.05
0.2 to 0.5	+0.03
<b>a [m]</b>	<b>Tolerance</b>

length in "1m" step	100	XXX=000
	99	XXX=990
	.	.
	12	XXX=120
	11	XXX=110
length in "0.1m" step	10	XXX=100
	9.9	XXX=099
	9.8	XXX=098
	.	.
	0.5	XXX=005
	0.4	XXX=004
	0.3	XXX=003
	0.2	XXX=002
<b>Step</b>	<b>a [m]</b>	<b>XXX</b>

- Protection level: IP65/67  
- Temperature range: -25°C ... +80°C

PUR black 6x1,5mm <sup>2</sup>	21342829641XXX
<b>Type of cable</b>	<b>Part no.</b>

	All rights reserved		Tech. Character.		Free size tol.		According to production drawing	
	Department HCS - RO		Created by 407576 Stoica	Inspected by COSTEA Costea	Standardisation BANCIUD Banciu	Date 2023-11-08	State Final Release	
HARTING Customised Solutions D-32339 Espelkamp		Title Size 15 6-pol st/st m/f PUR 1.5mm <sup>2</sup>				Doc-Key / ECM-Nr. 100955010/UGD/001/B 500000256967		Rev. B
		Type TB	Number 21342829641XXX			Page 1/1		