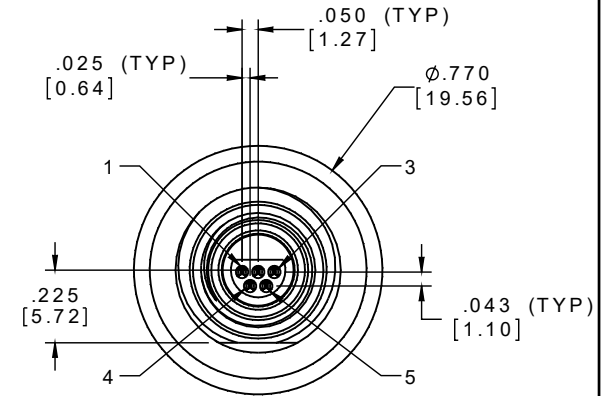
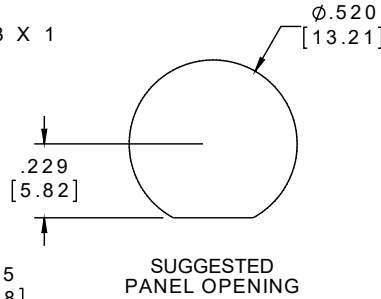
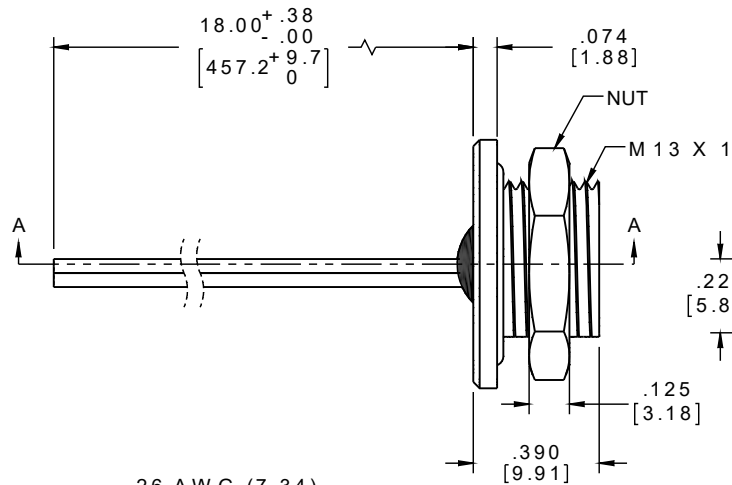
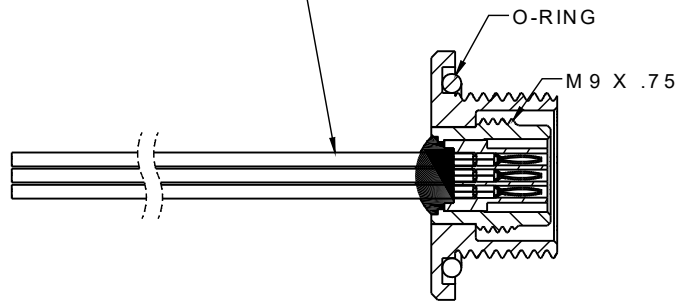


PART NO.	A22370-001	REV	ECO	DATE	APP
		A	101092	11-24-14	TLM



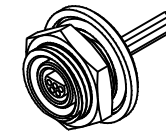
VIEW SHOWN LESS NUT

26 AWG (7-34)  
PTFE, COLOR CODED



SECTION A-A  
VIEW SHOWN LESS NUT

PIN #	COLOR
1	BLACK
2	BROWN
3	RED
4	ORANGE
5	YELLOW



ACTUAL SIZE  
EXCLUDING WIRE LENGTH

**INTERNAL USE ONLY**  
USE MFG LOADING  
PROCEDURE MC-5P

REF: OMNETICS

NOTE:

DIMENSIONS IN [ ] ARE IN  
MILLIMETERS UNLESS  
OTHERWISE NOTED AND ARE  
FOR REFERENCE ONLY

MMCP SLD/W	THIRD ANGLE	THIS DRAWING CONTAINS CONFIDENTIAL AND PROPRIETARY INFORMATION WHICH IS THE PROPERTY OF OMNETICS CONNECTOR CORP. THIS DOCUMENT MAY NOT, IN WHOLE OR IN PART, BE DUPLICATED, OR DISCLOSED FOR ANY PURPOSE, WITHOUT WRITTEN PERMISSION FROM OMNETICS CONNECTOR CORP.		TITLE: (5) PIN MALE CIRCULAR CONNECTOR W/METAL SHELL
	-TOLERANCES-	DFTM. WLE	DATE 10-08-14	
	UNLESS OTHERWISE NOTED	CHK'D.	DATE	
	DIMENSIONS IN INCHES	APP'D.	DATE	
	2 PL DEC ± .01			
	3 PL DEC ± .005			
	4 PL DEC ± .0005			
	ANGLES ± 1°			

**OMNETICS**  
CONNECTOR CORPORATION  
7260 COMMERCE CIRCLE EAST  
MINNEAPOLIS, MN 55432  
WWW.OMNETICS.COM

CAGE CODE 61873	
DWG NO. A22370-001	
SHEET 1 OF 2	REV A
SCALE: 2:1	