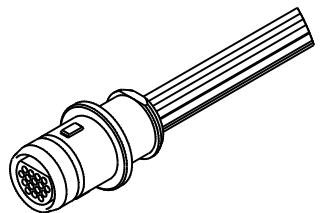
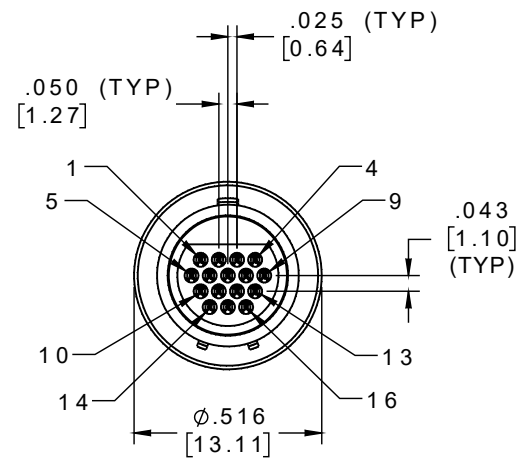
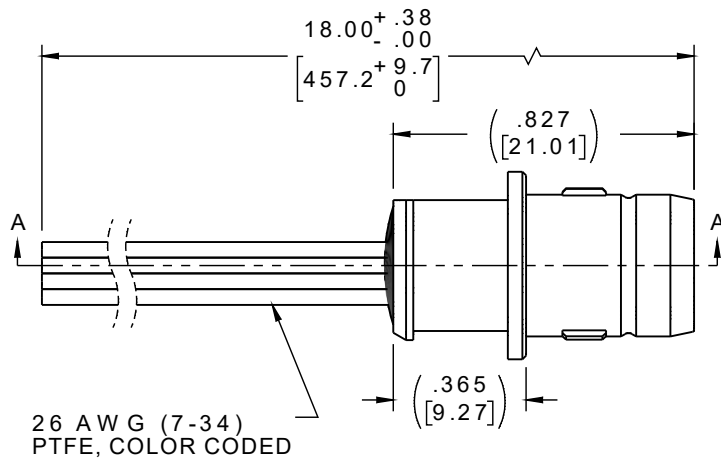
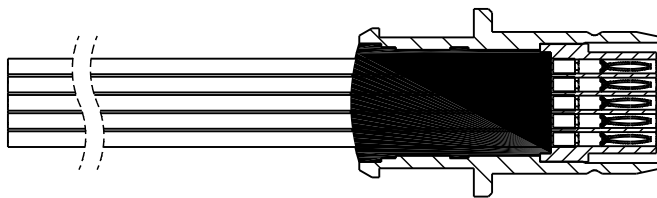


PART NO.	A22562-001	REV	ECO	DATE	APP
		1			



ACTUAL SIZE  
EXCLUDING WIRE LENGTH



SECTION A-A

PIN #	COLOR
1, 11	BLACK
2, 12	BROWN
3, 13	RED
4, 14	ORANGE
5, 15	YELLOW
6, 16	GREEN
7	BLUE
8	VIOLET
9	GRAY
10	WHITE

NOTES:

DIMENSIONS IN [ ] ARE IN MILLIMETERS UNLESS OTHERWISE NOTED AND ARE FOR REFERENCE ONLY

KBMP SLDW	THIRD ANGLE $\Phi$ $\equiv$	THIS DRAWING CONTAINS CONFIDENTIAL AND PROPRIETARY INFORMATION WHICH IS THE PROPERTY OF OMNETICS CONNECTOR CORP. THIS DOCUMENT MAY NOT, IN WHOLE OR IN PART, BE DUPLICATED, OR DISCLOSED FOR ANY PURPOSE, WITHOUT WRITTEN PERMISSION FROM OMNETICS CONNECTOR CORP.
	-TOLERANCES-	
	UNLESS OTHERWISE NOTED	
	DIMENSIONS IN INCHES	
2 PL DEC $\pm$ .01	TITLE:	(16) PIN MALE
3 PL DEC $\pm$ .005	DFTM. NPS	MICRO BREAK AWAY
4 PL DEC $\pm$ .0005	DATE	CIRCULAR CONNECTOR
ANGLES $\pm$ 1°	06-05-23	

**OMNETICS**  
CONNECTOR CORPORATION  
8840 EVERGREEN BLVD.  
MINNEAPOLIS, MN 55433  
WWW.OMNETICS.COM

DWG NO.	CAGE CODE 61873
A22562-001	
SHEET 1 OF 1	SCALE: 2:1
	REV 1