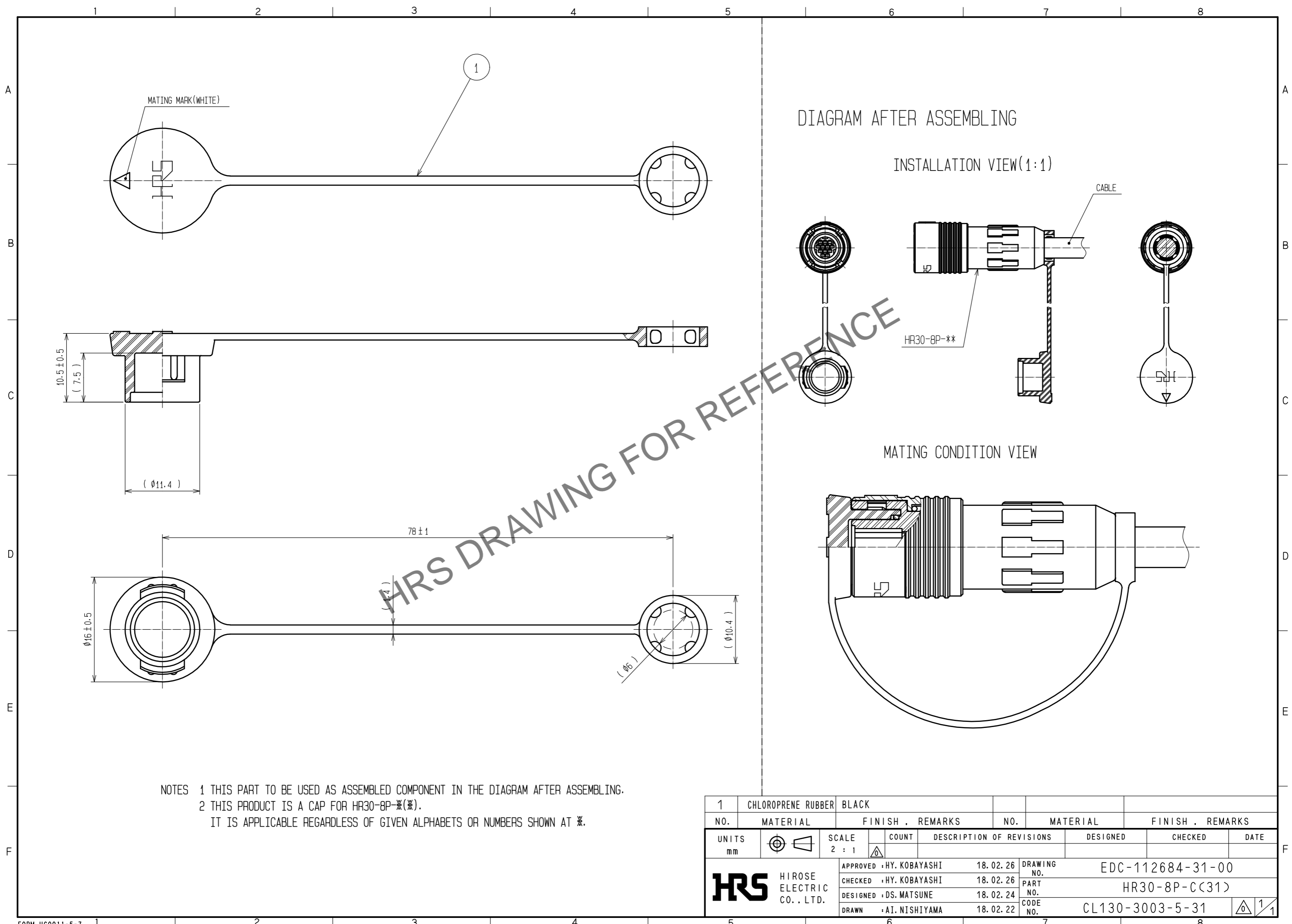


Apr.1.2024 Copyright 2024 HIROSE ELECTRIC CO., LTD. All Rights Reserved.
 In case of consideration for using Automotive equipment / device which demand high reliability, kindly contact our sales window correspondents.



NOTES 1 THIS PART TO BE USED AS ASSEMBLED COMPONENT IN THE DIAGRAM AFTER ASSEMBLING.
 2 THIS PRODUCT IS A CAP FOR HR30-8P-*(*)
 IT IS APPLICABLE REGARDLESS OF GIVEN ALPHABETS OR NUMBERS SHOWN AT *.

1	CHLOROPRENE RUBBER	BLACK					
NO.	MATERIAL	FINISH . REMARKS	NO.	MATERIAL	FINISH . REMARKS	NO.	DATE
UNITS		SCALE	COUNT	DESCRIPTION OF REVISIONS		DESIGNED	CHECKED
mm		2 : 1					
HRS HIROSE ELECTRIC CO., LTD.		APPROVED : HY. KOBAYASHI	18.02.26	DRAWING NO. EDC-112684-31-00			
		CHECKED : HY. KOBAYASHI	18.02.26	PART NO. HR30-8P-C(31)			
		DESIGNED : DS. MATSUNE	18.02.24	CODE NO. CL130-3003-5-31			
		DRAWN : AI. NISHIYAMA	18.02.22				