

CAB451RF: IPEX MHF I PLUG + S/S TNC FEMALE STRAIGHT BULKHEAD JACK W/O-RING RATED TO IP67/68 + 1.37MM CABLE

SPECIFICATIONS :

1. I-PEX MHF I PLUG, GOLD PLATED, P/N: 20351-112R-37.
2. ϕ 1.37MM COAXIAL CABLE, COLOR: BLACK.
3. TNC STRAIGHT BULKHEAD JACK W/O-RING, W/SUS303 STAINLESS STEEL BODY, RATED TO IP67/68, P/N: RFCT-TNC018-F78 (SILICONE O-RING) OR RFCT-TNC018-F78-1 (EPDM O-RING).

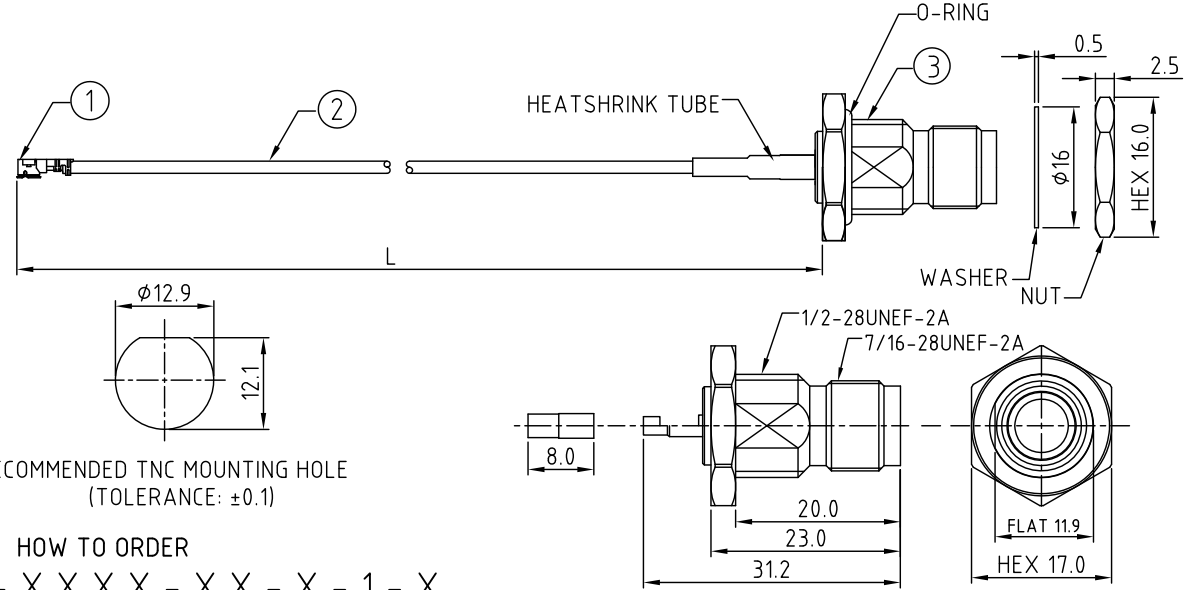
USAGE PRECAUTIONS: CABLES USING 'MICRO' COAX ARE DELICATE:
 (i) HANDLE WITH CARE.
 (ii) DO NOT TWIST; APPLY EXCESSIVE FORCES OR SHARP BENDS TO THE CABLE. DO NOT FORCEFULLY DEFORM WIRES.
 (iii) CONSULT CONNECTOR MANUFACTURER'S DATASHEETS FOR DETAILED NOTES ON HANDLING INSTRUCTIONS.

ENVIRONMENTAL:

- A. BULKHEAD MOUNTED CONNECTOR (RFCT-TNC018-F78) RATED TO THE FOLLOWING SPECIFICATION:
- i. IP6X - DUST TIGHT - NO PARTICLE INGRESS.
 - ii. IPX7 WATERPROOF FOR 30 MINUTES UP TO 1 METER UNDERWATER.
 - iii. IPX8 WATERPROOF FOR 48 HOURS AT 1 METER UNDERWATER.

NOTES:

1. THE ORIENTATION OF CONNECTORS ON DRAWING IS FOR REFERENCE ONLY, IF THE ORDER IS LEFT BLANK THE CONNECTOR WILL NOT HAVE FIXED ORIENTATION.
2. FIXED ORIENTATION IS SUGGESTED FOR CABLE LENGTH 25MM TO 100MM. PLEASE SPECIFY THE FIXED ORIENTATIONS FROM THE ORDER CODE (F1, F2, ETC)
3. CONTACT GRADCONN IF THE ORIENTATION YOU REQUIRE IS NOT SHOWN.
4. WORKING FREQUENCY RANGE: DC-6GHZ.
5. OPERATING TEMPERATURE: -40°C TO +85°C
6. IMPEDANCE: 50 OHM
7. IF THE CONNECTOR IS USED IN A CORROSIVE ENVIRONMENT, WE RECOMMEND THE CONNECTOR FACE IS PROTECTED WITH A STAINLESS STEEL DUST CAP.
8. PLEASE USE THE RECOMMENDED TORQUE FORCES FOR STAINLESS STEEL CONNECTORS. THIS IS PUBLISHED ON GRADCONN.COM RESOURCES PAGE.



RECOMMENDED TNC MOUNTING HOLE (TOLERANCE: ± 0.1)

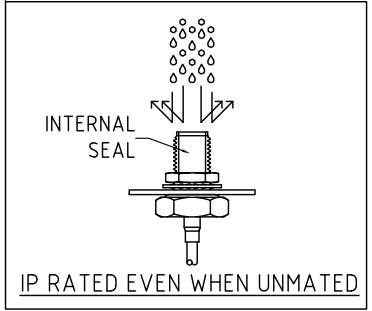
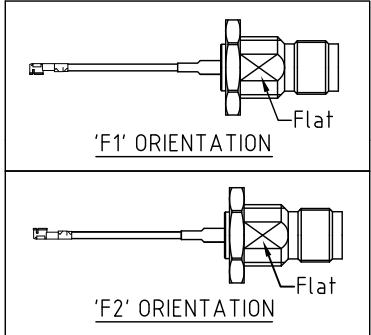
HOW TO ORDER
 CAB451RF - X X X X - X X - X - 1 - X

"L" LENGTH IN MM:
 eg: 100MM = 0100
 (MIN. 0025-MAX.0400)
 STANDARD = 0100, 0150, 0200)
 Tolerance: 50mm: ± 2 mm.
 51-200mm: ± 5 mm.
 201-400mm: ± 7 mm.

O-RING MATERIAL OPTIONS:
 S = SILICONE, BLACK
 E = EPDM, BLACK (STANDARD)

WASHER AND NUT OPTIONS:
 BLANK = SEPARATELY PACKED (STANDARD)
 A = ALL ASSEMBLED WITH CONNECTOR

ORIENTATION OPTIONS:
 BLANK = DOES NOT HAVE A FIXED ORIENTATION
 F1 = MHF CONNECTION DOWN (L=25-200MM)
 F2 = MHF CONNECTION UP (L=25-200MM)
 (SEE NOTES 1, 2, 3 AND DIAGRAMS FOR MORE INFORMATION)



REV. DATE & DRN	10. 15/01/21 - NYW RELEASE
	11. 22/03/21 - NYW NYW
	12. 22/03/21 - NYW NYW
	13. 05/01/21 - NYW NYW
	14. 31/01/22 - NYW NYW
	15. 28/02/22 - NYW NYW
	16. 01/03/22 - NYW NYW
	17. 30/05/23 - NYW NYW
	18. 28/01/24 - CC

Scale: NTS	THIRD ANGLE	Unstated: .X, .XX, .XXX ANGLES	Tolerances: N/A, N/A, N/A
Drawn: CC			
App'd: XXX	Title CABLE ASSEMBLY		
Date: 28 JAN. '24	Revision: 1.8	Unit: mm	

NAUTILUS
 IP Rated RF Products

GRADCONN
 www.gradconn.com

Drawing Number: CAB451RF	
Sheet 1	of 1
Drawing ©	E and O E