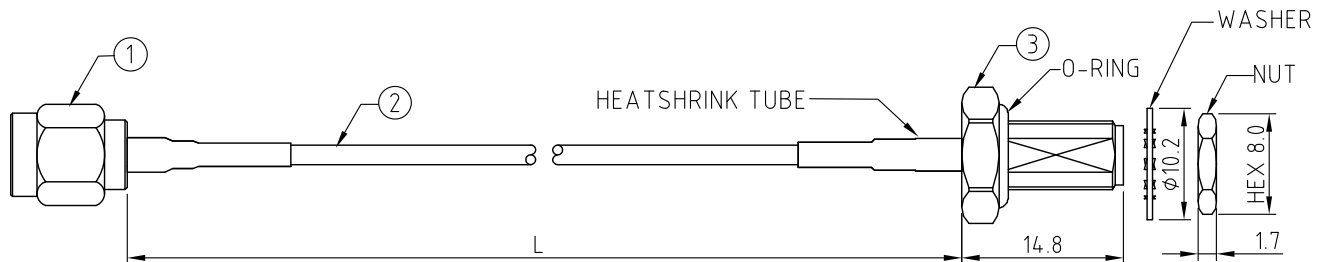


CABLE 243 RF: RF CABLE ASSEMBLY, SMA S/T MALE TO SMA STRAIGHT BULKHEAD JACK WITH O-RING RATED TO IP67/68 + MULTIPLE CABLE OPTIONS

SPECIFICATIONS :

1. SMA STRAIGHT MALE, P/N:
 - FOR RG178 CABLE: RFCT-SMA022-M78.
 - FOR ϕ 1.13MM & ϕ 1.13MM LL CABLE: RFCT-SMA011-M13.
 - FOR ϕ 1.32MM DS CABLE: RFCT-SMA038-M32.
 - FOR ϕ 1.37MM CABLE: RFCT-SMA026-M37.
 - FOR RG174 CABLE: RFCT-SMA096-M74.
2. COAXIAL CABLE, SEE P/N FOR DETAIL.
3. SMA STRAIGHT BULKHEAD JACK WITH O-RING RATED TO IP6768, P/N:
 - FOR ϕ 1.13MM~RG178 CABLE: RFCT-SMA002-F78.
 - FOR RG174 CABLE: RFCT-SMA002-F74.

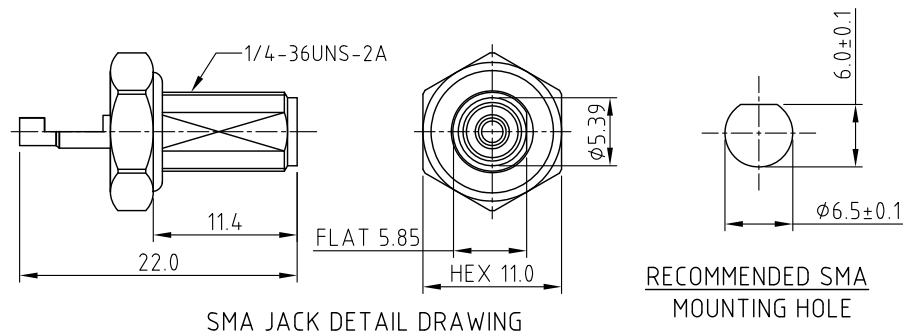


ENVIRONMENTAL:

- A. BULKHEAD MOUNTED CONNECTOR (RFCT-SMA002-Fxx)
 - TESTED TO THE FOLLOWING SPECIFICATION:
 - i. IP6X - DUST TIGHT - NO PARTICLE INGRESS.
 - ii. IPX7 WATERPROOF FOR 30 MINUTES UP TO 1 METER UNDERWATER.
 - iii. IPX8 WATERPROOF FOR 48 HOURS AT 1 METER UNDERWATER.
 - iv. IPX8 WATERPROOF FOR 12 HOURS AT 5 METERS UNDERWATER.
 - v. PRESSURE TEST - 1 BAR FOR 10 SECONDS.

NOTES:

1. WORKING FREQUENCY RANGE: DC-3GHz.
2. OPERATING TEMPERATURE: -40°C~+125°C (1.13MM~RG178 CABLE)
-20°C~+80°C (RG174 CABLE)
3. IMPEDANCE: 50 OHM.



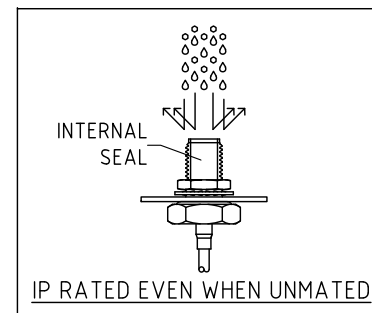
HOW TO ORDER

CABLE 243 RF - X X X X - X - X

"L" LENGTH IN MM:
eg: 100MM = 0100
(MIN. 0050, MAX. 2000,
STANDARD = 0100, 0150, 0200)
Tolerance: 50mm: ±2mm.
51-200mm: ±5mm.
201-500mm: ±7mm.
>500mm: ±10mm.

CABLE SIZE OPTIONS:
1 = RG178 CABLE, COLOR: BROWN
2 = ϕ 1.13MM CABLE, COLOR: GRAY
3 = ϕ 1.13MM LOW LOSS CABLE, COLOR: GRAY
4 = ϕ 1.32MM DS CABLE, COLOR: GRAY
5 = ϕ 1.37MM CABLE, COLOR: BLACK
6 = RG174 CABLE, COLOR: BLACK

WASHER AND NUT OPTIONS:
BLANK = SEPARATELY PACKED (STANDARD)
A = ALL ASSEMBLED WITH CONNECTOR



REV. DATE & DRN	10 07/08/16 - R/H RELEASE
11 31/07/17 - NYW ADD 1.5MMH CABLE OPTIONS.	
12 ADD 1.32MM CABLE OPTIONS.	
13 27/05/19 - NYW ADD OPERATING TEMP.	
14 20/09/19 - NYW ADD 1.37 CABLE OPTION	
15 06/11/20 - NYW ADD NOTE 3.	
16 19/10/22 - NYW ADD CABLE SIZE OPTION 6.	
17 03/03/24 - CC ADD IP RATING VIEW	

Scale: NTS	THIRD ANGLE	Unstated Tolerances: .X N/A .XX N/A .XXX N/A ANGLES N/A
Drawn: CC		
App'd: XXX	Title CABLE ASSEMBLY	
Date: 3 MAR. '24	Revision: 1.7	Unit: mm

IP Rated RF Products www.gradconn.com

THIS DRAWING IS CONFIDENTIAL AND MUST NOT BE COPIED OR DISCLOSED WITHOUT WRITTEN CONSENT

Type: Cable 243 RF
CABLE 243 RF
Drawing Number:
Sheet 1 of 1
Drawing © E and O E