

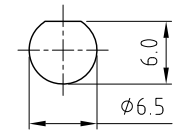
CABLE 379 RF: I-PEX MHF TO RP SMA S/T BULKHEAD JACK WITH O-RING RATED TO IP67/68 TO MULTIPLE CABLE SIZES, 6GHz

SPECIFICATIONS:

- I-PEX MHF PLUG, P/N:  
FOR  $\phi 1.13\text{MM}$  CABLE: 20278-112R-13.  
FOR RG178 CABLE: 20278-112R-18.
- COAXIAL CABLE, SEE P/N OPTIONS.
- SMA STRAIGHT BULKHEAD JACK WITH O-RING RATED TO IP67/68, P/N: RFCT-SMA071-F78.

USAGE PRECAUTIONS: CABLES USING 'MICRO' COAX ARE DELICATE:

- HANDLE WITH CARE.
- DO NOT TWIST; APPLY EXCESSIVE FORCES OR SHARP BENDS TO THE CABLE. DO NOT FORCEFULLY DEFORM WIRES.
- CONSULT CONNECTOR MANUFACTURER'S DATASHEETS FOR DETAILED NOTES ON HANDLING INSTRUCTIONS.



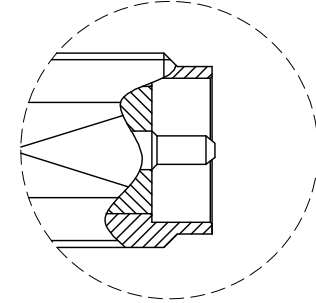
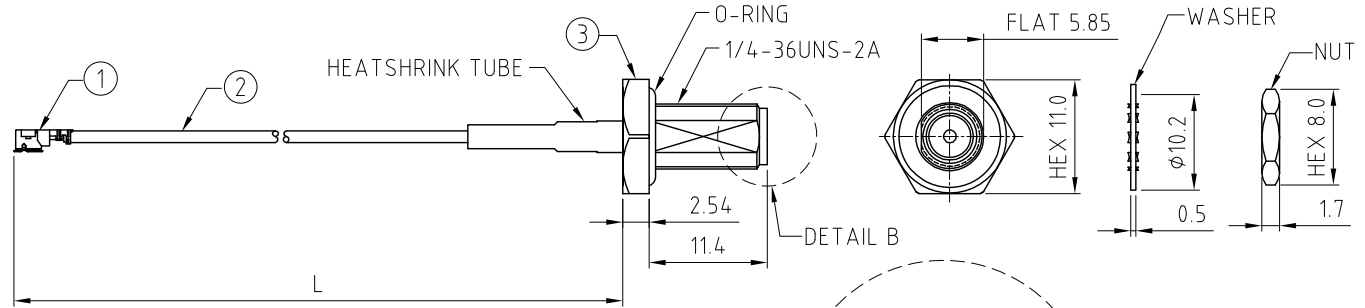
RECOMMENDED SMA MOUNTING HOLE

ENVIRONMENTAL:

- A. BULKHEAD MOUNTED CONNECTOR (RFCT-SMA071-F78) RATED TO THE FOLLOWING SPECIFICATION:
- IP6X - DUST TIGHT - NO PARTICLE INGRESS.
  - IPX7 WATERPROOF FOR 30 MINUTES UP TO 1 METER UNDERWATER.
  - IPX8 WATERPROOF FOR 48 HOURS AT 1 METER UNDERWATER.

NOTES:

- THE ORIENTATION OF CONNECTORS ON DRAWING IS FOR REFERENCE ONLY, IF THE ORDER IS LEFT BLANK THE CONNECTOR WILL NOT HAVE FIXED ORIENTATION.
- FIXED ORIENTATION IS SUGGESTED FOR CABLE LENGTH 50MM TO 100MM. PLEASE SPECIFY THE FIXED ORIENTATIONS FROM THE ORDER CODE (F1, F2, ETC)
- CONTACT GRADCONN IF THE ORIENTATION YOU REQUIRE IS NOT SHOWN.
- WORKING FREQUENCY RANGE: DC-6GHz.
- OPERATING TEMPERATURE:  $-40^{\circ}\text{C} \sim +85^{\circ}\text{C}$ .
- IMPEDANCE: 50 Ohm.



DETAIL B SCALE 3:1

HOW TO ORDER

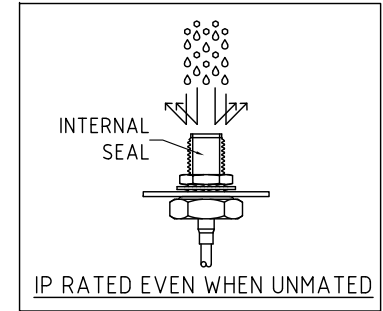
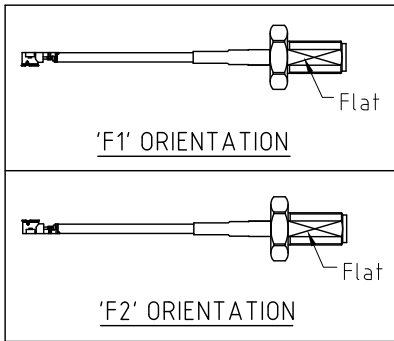
CABLE 379 RF - X X X - X X - X - X

"L" LENGTH IN MM:  
eg: 100MM = 100  
(MIN. 050-MAX.400)  
STANDARD = 100, 150, 200  
Tolerance: 50-200mm:  $\pm 5\text{mm}$ .  
201-400mm:  $\pm 7\text{mm}$ .

CABLE SIZE OPTIONS:  
1 =  $\phi 1.13\text{MM}$  CABLE, COLOR: GREY  
2 =  $\phi 1.13\text{MM}$  LOW LOSS CABLE, COLOR: GREY  
3 = RG178 CABLE, COLOR: BROWN

WASHER AND NUT OPTIONS:  
BLANK = SEPARATELY PACKED (STANDARD)  
A = ASSEMBLED WITH CONNECTOR

ORIENTATION OPTIONS:  
BLANK = DOES NOT HAVE A FIXED ORIENTATION  
F1 = MHF CONNECTION DOWN (L=50-200MM)  
F2 = MHF CONNECTION UP (L=50-200MM)  
(SEE NOTES 1, 2, 3 AND DIAGRAMS FOR MORE INFORMATION)



REV. DATE & DRN  
10 19/02/20 - CC RELEASE  
11 28/04/20 - NYW  
12 30/04/20 - NYW  
13 14/07/20 - NYW  
14 29/07/22 - NYW  
15 24/03/24 - CC  
ADD IP RATING VIEW

Scale: NTS	THIRD ANGLE	Unstated .X .XX .XXX ANGLES	Tolerances: N/A N/A N/A N/A
Drawn: CC			
App'd: XXX	Title CABLE ASSEMBLY		
Date: 24 MAR '24	Revision: 15	Unit: mm	



IP Rated RF Products



www.gradconn.com

Type: Cable 379 RF

CABLE 379 RF

Drawing Number:

Sheet 1 of 1

Drawing © E and O E