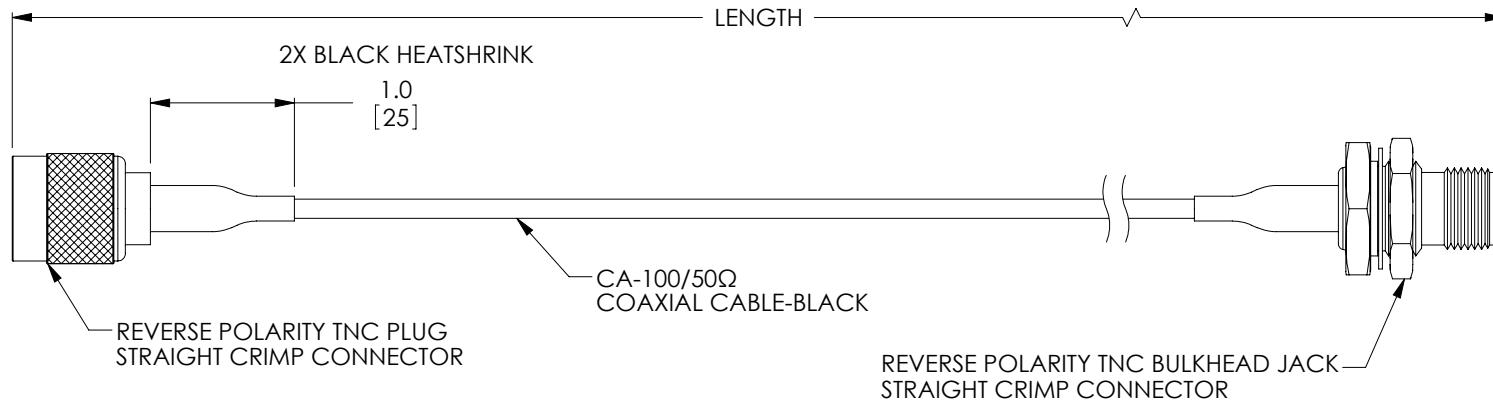
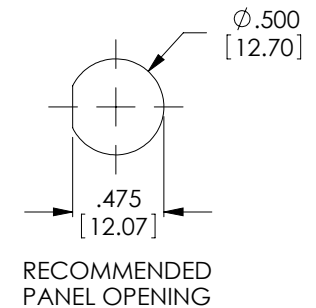


THE INFORMATION CONTAINED IN THIS DRAWING IS THE SOLE PROPERTY OF L-COM, INC. ANY REPRODUCTION IN PART OR WHOLE WITHOUT THE WRITTEN PERMISSION OF L-COM, INC. IS PROHIBITED.

REVISIONS			
REV	DESCRIPTION	DATE	APPROVED
A	INITIAL RELEASE	6/24/10	D.GRIFFIN



LENGTH CODE CHART		
CABLE# AND LENGTH	LENGTH SYMBOL	EXAMPLES OF PART# USED
CA-RTPRTJBCXXX	W HERE <u>XXX</u> = LENGTH IN FEET	CA-RTPRTJBC010 (10 FEET)
CA-RTPRTJBCNXX	W HERE <u>NXX</u> = LENGTH IN INCHES	CA-RTPRTJBCN16 (16 INCHES)
CA-RTPRTJBCMXX	W HERE <u>MX</u> = LENGTH IN METERS	CA-RTPRTJBCM07 (7 METERS)
CA-RTPRTJBCXMX	W HERE <u>XMX</u> = LENGTH IN DECIMAL METERS	CA-RTPRTJBC3M5 (3.5 METERS)



NOTE

1. CABLE SHALL BE TESTED FOR CONTINUITY.
2. CABLE SHALL BE INDIVIDUALLY PACKAGED IN ACCORDANCE WITH L-COM SPECIFICATION PS-0031.

UNLESS OTHERWISE SPECIFIED, DIMENSIONS ARE IN INCHES [mm] OVERALL CABLE LENGTH TOLERANCE: ≤12 [305] = +1 [25] / -0 >12 [305] ≤60 [1524] = +2 [51] / -0 >60 [1524] ≤120 [3048] = +4 [102] / -0 >120 [3048] ≤300 [7620] = +6 [152] / -0 >300 [7620] = +3% / -0%	APPROVALS	DATE		45 BEECHWOOD DRIVE NORTH ANDOVER, MA 01845		
	DRAWN BY D. PARHAM	06/23/2010		CATEGORY <b>COAXIAL</b>		
ALL OTHER DIMENSIONAL TOLERANCES: .X = ±.2 .XX = ±.02 .XXX = ±.005	CHECKED BY D. FRISIELLO	06/23/2010	PRODUCT DESCRIPTION <b>CA,CA100 RTP/RTJ BLKHD</b>			
	APPROVED BY K. BURGNER	06/23/2010				
PROJECTION 	CONFIGURATION DETAILS OF UNDIMENSIONED FEATURES MAY VARY	COLOR VARIATIONS MAY OCCUR	SIZE <b>A</b>	FSCM NO. <b>43321</b>	DWG. NO. <b>CA-RTPRTJBC</b>	REV. <b>A</b>
SCALE: NONE			CAD FILE: CA-RTPRTJBC.SLDDRW		SHEET 1 OF 1	