



## SMPS VITA 67.3 12 Port Plug-In Module D

### RF Connectors Technical Data Sheet

**PE49832**

#### Configuration

- SMPS Connector
- 50 Ohms
- Straight Body Geometry
- VITA 67.3 Design

#### Features

- Rugged Aluminum construction
- Accepts PE49830 SMPS Male to SMPS VITA 67.3 Male Plug-In Adapter

#### Applications

- General Purpose Test
- VITA 67.3 Backplane
- High Density Applications
- Robust and rugged high speed cabled solution

#### Description

Pasternack's PE49832 12-position block housing is part of our full line of VITA 67.3 Plug-In solutions and is available for same-day shipping. These blocks are machined for a rugged solution. The blocks are designed to accept PE49830 SMPS Male to SMPS VITA 67.3 Male Plug-In Adapter. These blocks are ideal for blind mating daughtercards to motherboards as the RF contacts provide +/- .010" radial misalignment tolerance and have excellent return loss up to 40 GHz.

The SMPS blind mate connector is ideal for applications where direct visual or tactile access to the connection point is not possible, for example, when two circuit boards need to be mated.

Our SMPS block PE49832 specifications and drawing with dimensions are shown below in this PDF. Pasternack's broad catalog of RF, microwave and millimeter wave connectors allows designers to configure and customize their signal connections however they like. Whether the need is to provide an I/O for a board design, or simply create a custom cable assembly configuration, Pasternack has the right connector for the job. Pasternack can also expertly build your custom cable assemblies for you and ship same-day.

Impedance	50	Ohms
-----------	----	------

#### Mechanical Specifications

Size	
Length	0.78 in [19.81 mm]
Width	0.55 in [13.97 mm]
Height	0.50 in [12.70 mm]
Weight	0.01 lbs [6.76 g]
Mating Cycles	500 Cycles

#### Material Specifications

Description	Material	Plating
Body	Aluminum	Chem Film

Click the following link (or enter part number in "SEARCH" on website) to obtain additional part information including price, inventory and certifications: [SMPS VITA 67.3 12 Port Plug-In Module D PE49832](#)



## SMPS VITA 67.3 12 Port Plug-In Module D

### RF Connectors Technical Data Sheet

**PE49832**

#### Environmental Specifications

##### Temperature

Operating Range

-65 to +165 deg C

**Compliance Certifications** (see [product page](#) for current document)

#### Plotted and Other Data

Notes:

SMPS VITA 67.3 12 Port Plug-In Module D from Pasternack Enterprises has same day shipment for domestic and International orders. Our RF, microwave and millimeter wave products maintain a 99.4% availability and are part of the broadest selection in the industry.

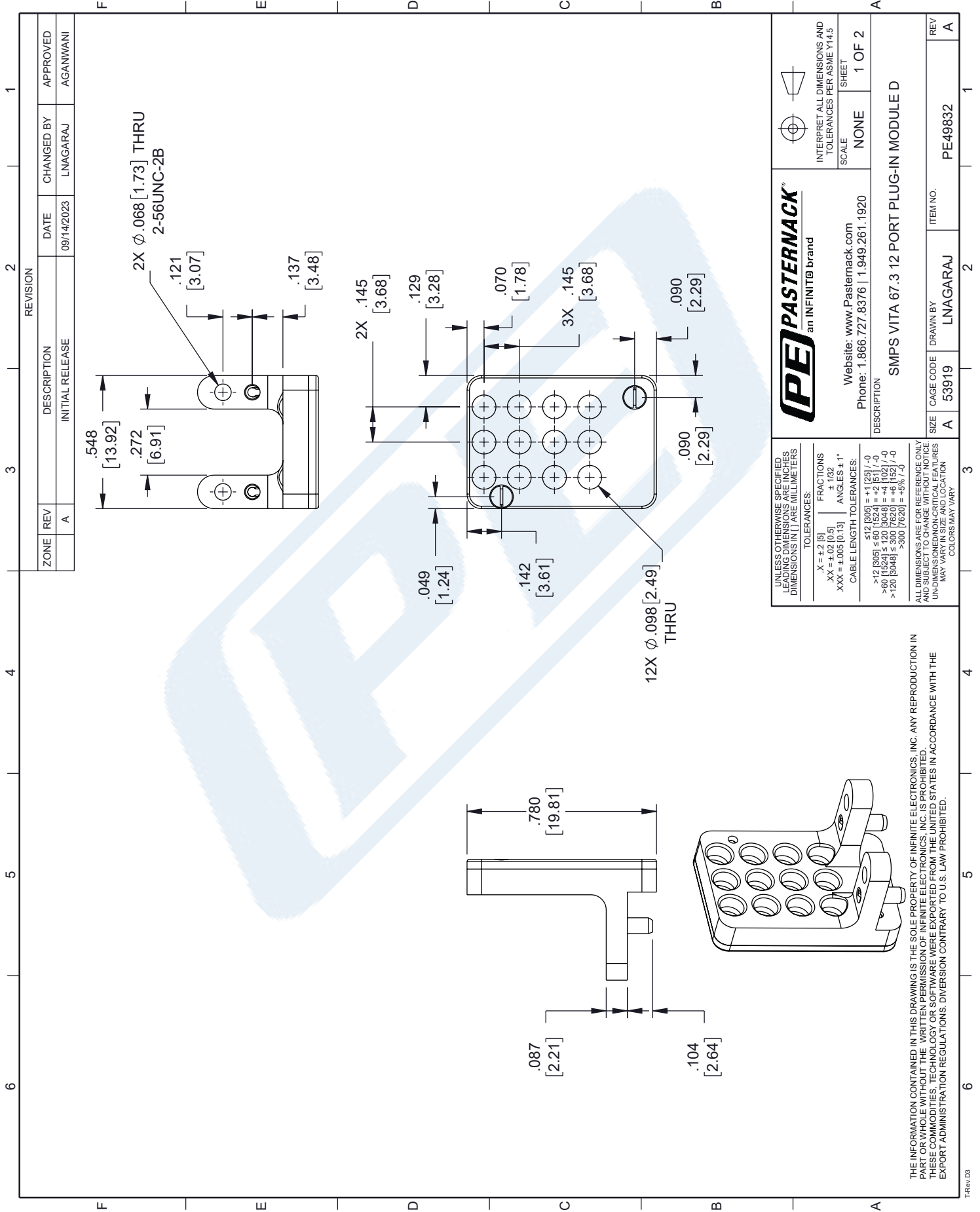
Click the following link (or enter part number in "SEARCH" on website) to obtain additional part information including price, inventory and certifications: [SMPS VITA 67.3 12 Port Plug-In Module D PE49832](#)

URL: <https://www.pasternack.com/smps-connector-pe49832-p.aspx>

The information contained in this document is accurate to the best of our knowledge and representative of the part described herein. It may be necessary to make modifications to the part and/or the documentation of the part, in order to implement improvements. Pasternack reserves the right to make such changes as required. Unless otherwise stated, all specifications are nominal. Pasternack does not make any representation or warranty regarding the suitability of the part described herein for any particular purpose, and Pasternack does not assume any liability arising out of the use of any part or documentation.

# PE49832 CAD Drawing

## SMPS VITA 67.3 12 Port Plug-In Module D



# PE49832 CAD Drawing

## SMPS VITA 67.3 12 Port Plug-In Module D

F E D C B A

1

2

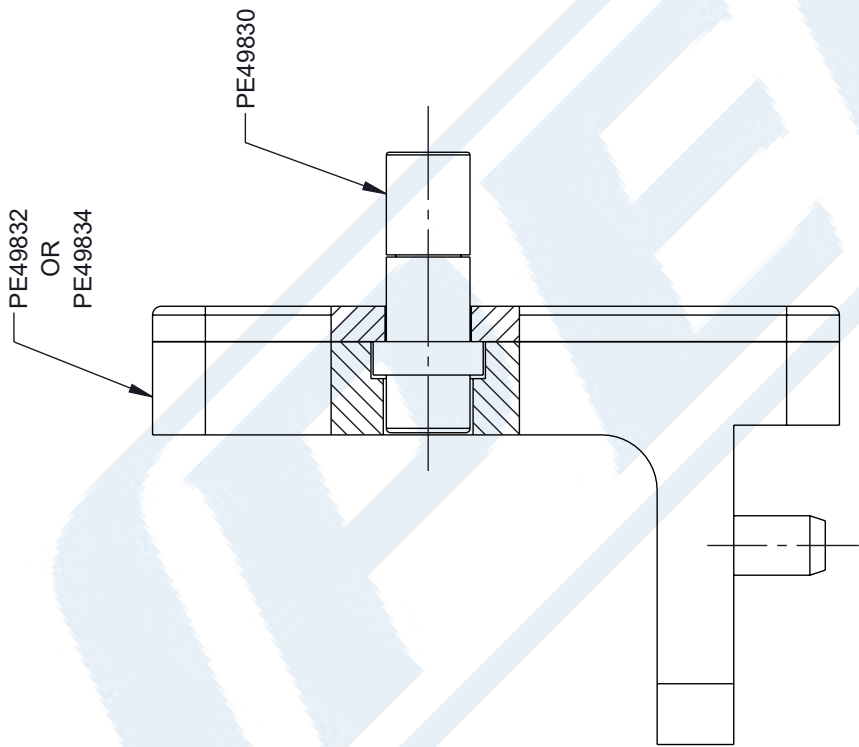
3

4

5

6

REVISION		ZONE	REV	DESCRIPTION	DATE	CHANGED BY	APPROVED
			A	INITIAL RELEASE	09/14/2023	LNAGARAJ	AGANWANI



Website: [www.Pasternack.com](http://www.Pasternack.com)  
 Phone: 1.866.727.8376 | 1.949.261.1920

INTERPRET ALL DIMENSIONS AND TOLERANCES PER ASME Y14.5  
 SCALE NONE  
 SHEET 2 OF 2

UNLESS OTHERWISE SPECIFIED, LEADING DIMENSIONS ARE IN INCHES, DIMENSIONS IN [ ] ARE MILLIMETERS.

TOLERANCES:  
 .X = ±.2 [5] FRACTIONS  
 .XX = ±.02 [0.5] ± T32  
 .XXX = ±.005 [0.13] ANGLES ± 1°  
 .XXX = ±.005 [0.13] ANGLES ± 1°  
 CABLE LENGTH TOLERANCES:  
 <12 [305] ±.1 [25] / -0  
 >12 [305] ≤ 60 [1524] = ±.2 [5] / -0  
 >60 [1524] ≤ 120 [3048] = +.4 [102] / -0  
 >120 [3048] ≤ 300 [7620] = +.6 [152] / -0  
 >300 [7620] = +5% / -0

DESCRIPTION  
 SMPS VITA 67.3 12 PORT PLUG-IN MODULE D

ALL DIMENSIONS ARE FOR REFERENCE ONLY. UNLESS OTHERWISE SPECIFIED, ALL DIMENSIONS ARE NON-CRITICAL FEATURES. UNLESS OTHERWISE SPECIFIED, DIMENSIONS MAY VARY.

THE INFORMATION CONTAINED IN THIS DRAWING IS THE SOLE PROPERTY OF INFINITE ELECTRONICS, INC. ANY REPRODUCTION IN PART OR WHOLE WITHOUT THE WRITTEN PERMISSION OF INFINITE ELECTRONICS, INC. IS PROHIBITED. THESE COMMODITIES, TECHNOLOGY OR SOFTWARE WERE EXPORTED FROM THE UNITED STATES IN ACCORDANCE WITH THE EXPORT ADMINISTRATION REGULATIONS. DIVERSION CONTRARY TO U.S. LAW PROHIBITED.

SIZE	CAGE CODE	DRAWN BY	ITEM NO.	REV
A	53919	LNAGARAJ	PE49832	A