



SSMA Male Non-Shorting Dust Cap

Shorts and Caps Technical Data Sheet

PE6020

Features

- Protects against dust and contaminants
- Protects against physical damage
- Nickel Plated Body

Applications

- General Purpose Laboratory Use
- Test and Measurement

Description

Pasternack's PE6020 connector dust cap has an SSMA interface and a male gender. Our SSMA male dust cap is a non-shorting design with a nickel plated body to ensure durability. The Pasternack non-shorting SSMA connector cap is part of over 40,000 RF, microwave and millimeter wave products that ship the same day.

RF connector dust caps are essential for precision connectors, protecting them from dust, corrosion and potential damage especially to test and measurement equipment. Specific RF connector cap models come with a chain to prevent loss or misplacement. Internal short connector cap versions are available to protect equipment from a spike in current caused by electrostatic discharge (ESD).

Mechanical Specifications

Configuration

Connector	SSMA Male Non-Shorting
Hex Size	1/4 inch

Description	Material	Plating
Body	Brass	Nickel

Size

Length	0.33 in [8.38 mm]
Width	0.25 in [6.35 mm]
Weight	0.0066 lbs [2.99 g]

Click the following link (or enter part number in "SEARCH" on website) to obtain additional part information including price, inventory and certifications: [SSMA Male Non-Shorting Dust Cap PE6020](#)



SSMA Male Non-Shorting Dust Cap

Shorts and Caps Technical Data Sheet

PE6020

Compliance Certifications (see [product page](#) for current document)

Plotted and Other Data

Notes:

SSMA Male Non-Shorting Dust Cap from Pasternack Enterprises has same day shipment for domestic and International orders. Our RF, microwave and millimeter wave products maintain a 99.4% availability and are part of the broadest selection in the industry.

Click the following link (or enter part number in "SEARCH" on website) to obtain additional part information including price, inventory and certifications: [SSMA Male Non-Shorting Dust Cap PE6020](#)

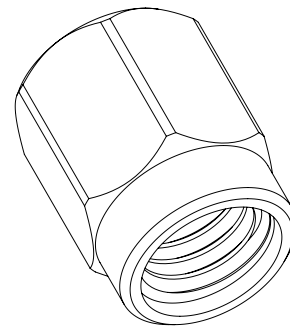
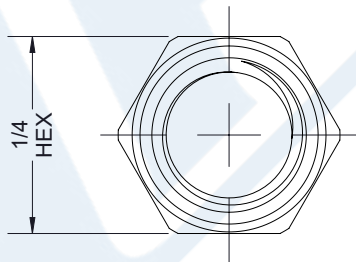
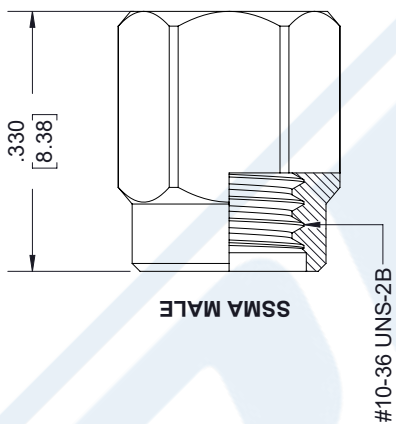
URL: <https://www.pasternack.com/50-ohm-ssma-male-non-shorting-cap-pe6020-p.aspx>

The information contained in this document is accurate to the best of our knowledge and representative of the part described herein. It may be necessary to make modifications to the part and/or the documentation of the part, in order to implement improvements. Pasternack reserves the right to make such changes as required. Unless otherwise stated, all specifications are nominal. Pasternack does not make any representation or warranty regarding the suitability of the part described herein for any particular purpose, and Pasternack does not assume any liability arising out of the use of any part or documentation.

PE6020 CAD Drawing

SSMA Male Non-Shorting Dust Cap

REVISIONS		
REV.	DESCRIPTION	DATE
A	PCR SC2083	7/7/2020
		APPROVED S. ELLIS



UNLESS OTHERWISE SPECIFIED
LEADING DIMENSIONS ARE INCHES
DIMENSIONS IN [] ARE MILLIMETERS

TOLERANCES:

- .X = ± .2 [5.08] FRACTIONS ± 1/32
- .XX = ± .02 [.51] ANGLES ± 1°
- .XXX = ± .005 [.13] CABLE LENGTH (L) TOLERANCES:
- L ≤ 12 [305] = +1 [25] / -0
- 12 [305] < L ≤ 60 [1524] = +2 [51] / -0
- 60 [1524] < L ≤ 120 [3048] = +4 [102] / -0
- 120 [3048] < L ≤ 300 [7620] = +6 [152] / -0
- 300 [7620] < L = +5% / L / -0

ALL DIMENSIONS SHOWN
ARE FOR REFERENCE ONLY.



THIRD-ANGLE PROJECTION
THE INFORMATION AND
DESIGN IN THIS DOCUMENT
IS THE PROPERTY OF
PASTERNAK CORPORATION
ALL RIGHTS RESERVED.

SHEET 1 OF 1
SCALE N/A

PASTERNAK
an INFINITO brand

Pasternack Enterprises, Inc.
P. O. Box 16759, Irvine, CA 92623.
Phone: 1.949.261.1920 | 1.866.727.8376
Fax: 1.949.261.7451
Website: www.pasternack.com
E-mail: sales@pasternack.com

SIZE	CAGE CODE	DRAWN BY	ITEM NO.	REV
A	53919	K.DANG	PE6020	A

THESE COMMODITIES, TECHNOLOGY OR SOFTWARE WERE EXPORTED FROM THE UNITED STATES IN ACCORDANCE WITH THE EXPORT ADMINISTRATION REGULATIONS. DIVERSION CONTRARY TO U.S. LAW PROHIBITED.